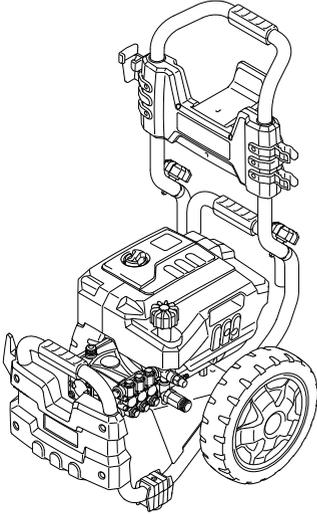
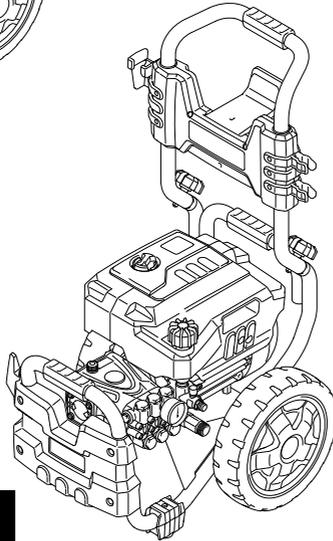


DEWALT®



DXPW004E
DXPW005E



DXPW006E
DXPW007E

High pressure washer

Original instructions

Idropultrice alta pressione

Istruzioni originali

Водоструйная машина

Превод на оригиналните инструкции

Vysokotlaký čistič

Preklad originálného návodu

Højtryksrensere

Oversættelse af den originale brugsanvisning

Hochdruckreiniger

Übersetzung der Originalanleitung

Πυστικό μηχανήμα υψηλής πίεσης

Μετάφραση των γνήσιων οδηγιών

Hidrolimpiadora de alta presión

Traducción de las instrucciones originales

Kõrgsurvepesur

Originaaljuhendi tõlge

Korkeapainepesuri

Alkuperäisten ohjeiden käänös

Nettoyeur haute pression

Traduction des instructions originales

Visokotlačni uređaj za pranje

Prijevod izvorne upute

Nagynyomású tisztítóberendezés

Az eredeti utasítások fordítása

Aukšto slėgio plautuvas

Originalių instrukcijų vertimas

Augstspiediena mazgātājs

Originālās rokasgrāmatas tulkojums

Hogedrukreiniger

Vertaling van de originele gebruiksaanwijzing

Høytrykkskasker

Oversettelse av den originale bruksanvisningen

Myjka ciśnieniowa

Tłumaczenie oryginalnej instrukcji

Lavadora a alta pressão

Tradução das instruções originais

Aparat de spălat cu înaltă presiune

Traducerea instrucțiunilor originale

Моечная машина высокого давления

Перевод оригинальных инструкций

Vysokotlakový čistič

Preklad pôvodného návodu

Visokotlačni čistilec

Prevod izvirnih navodil

Högtryckstvätt

Översättning av bruksanvisning i original

Yüksek basınçlı yıkama makinesi

Orijinal talimatların tercümesi

Мийка високого тиску

Переклад оригінальна інструкція

CE EAC



EN

IT

BG

CS

DA

DE

EL

ES

ET

FI

FR

HR

HU

LT

LV

NL

NO

PL

PT

RO

RU

SK

SL

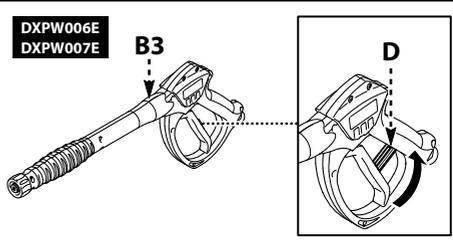
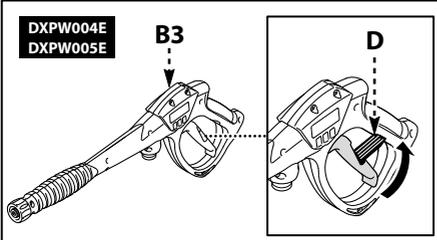
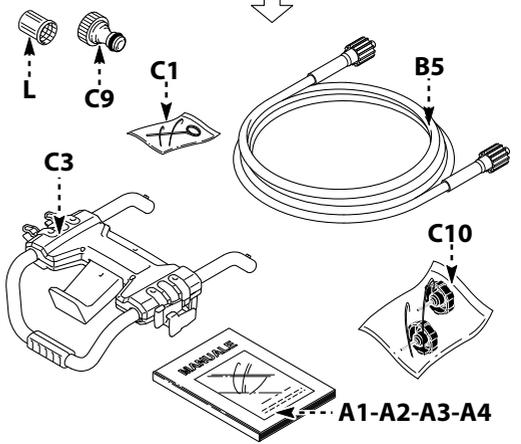
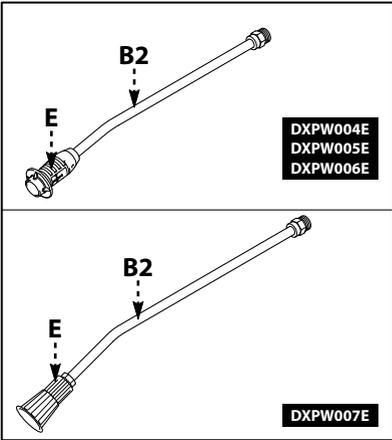
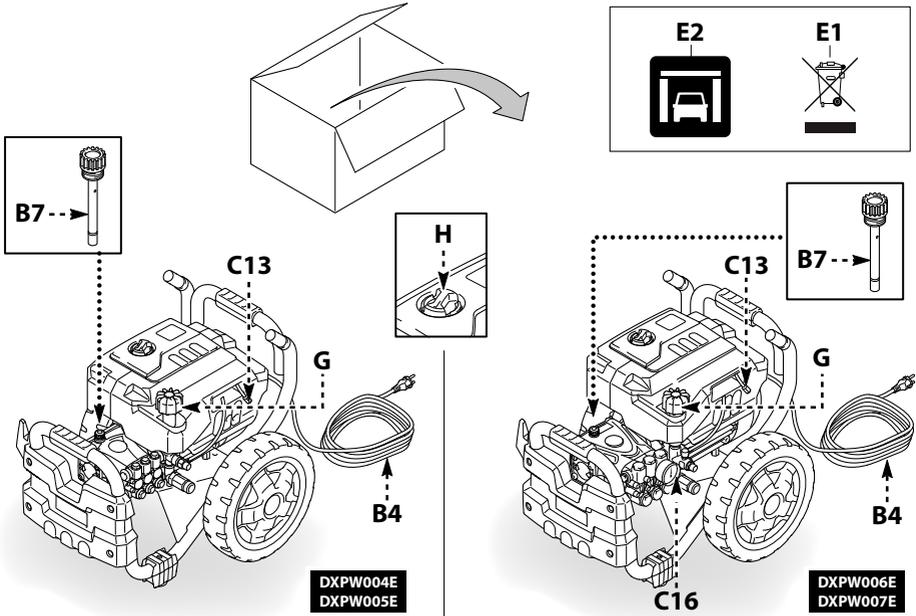
SV

TR

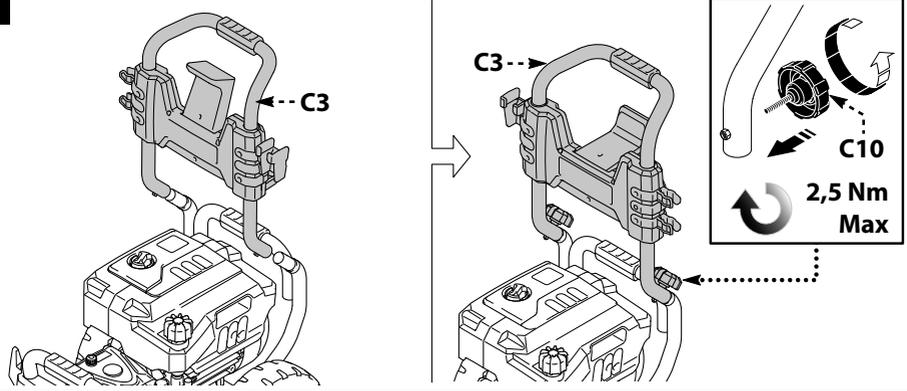
UK

AR

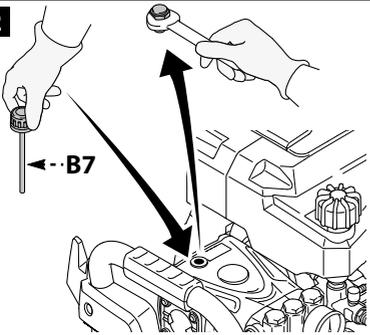
EN	Please read these instructions carefully before use. Please retain these instructions for future reference. In case of problems or difficulties, please contact the consumer helpline: www.dewalt.eu	Page: 7-16
IT	Leggere attentamente queste istruzioni prima dell'uso. Conservare queste istruzioni per future consultazioni. In caso di problemi o difficoltà, contattate l'helpline consumatori: www.dewalt.eu	Pagina: 17-27
BG	Прочетете внимателно тези указания преди употреба. Запазете тези указания за справка. При проблеми или затруднения се обърнете към отдела за обслужване на клиенти: www.dewalt.eu	Страница: 28-37
CS	Před použitím si pozorně přečtěte tento návod. Laskavě si uložte tento návod pro budoucí použití. V případě jakýchkoli problémů nebo potíží laskavě kontaktujte linku pomoci zákazníkům: www.dewalt.eu	Strana: 38-47
DA	Læs disse instruktioner omhyggeligt inden brug. Opbevar disse instruktioner til senere brug. Kontakt kundeservicetelefonen i tilfælde af problemer eller vanskeligheder: www.dewalt.eu	Side: 48-57
DE	Lesen Sie bitte diese Bedienungsanleitung vor Gebrauch aufmerksam durch. Bewahren Sie diese Bedienungsanleitung sorgfältig auf, damit Sie sie auch später zu Rate ziehen können. Wenden Sie sich im Falle von Problemen bitte an die Verbraucher-Hotline: www.dewalt.eu	Seite: 58-68
EL	Διαβάστε προσεκτικά αυτές τις οδηγίες πριν από τη χρήση. Φυλάξτε αυτές τις οδηγίες για μελλοντικές αναφορές. Σε περίπτωση προβλημάτων ή δυσκολιών, επικοινωνήστε με τη γραμμή helpline υποστήριξης καταναλωτών: www.dewalt.eu	Σελίδα: 69-79
ES	Leer atentamente estas instrucciones antes de usar el equipo. Guardar estas instrucciones para poder consultarlas en el futuro. En caso de problemas o dificultades, ponerse en contacto con el servicio de asistencia al cliente: www.dewalt.eu	Página: 80-90
ET	Enne kasutamist lugege see juhend tähelepanelikult läbi. Hoidke juhend hilisemaks kasutamiseks alles. Probleemide või raskuste ilmnemisel pöörduge klienditoe poole: www.dewalt.eu	Lk: 91-100
FI	Lue ohjeet huolellisesti ennen käyttöä. Säilytä ohjeet huolellisesti tulevaa käyttöä varten. Jos kohtaat ongelmia, ota yhteys kulluttajien helpline-palveluun: www.dewalt.eu	Sivu: 101-110
FR	Lire attentivement ces instructions avant emploi. Conserver ces instructions pour toute consultation à venir. En cas de problèmes ou de difficultés, contacter l'assistance consommateur : www.dewalt.eu	Page : 111-121
HR	Molimo vas da prije uporabe pažljivo pročitate ovaj priručnik. Sačuvajte ove upute za buduće korištenje. Ako naiđete na kakve probleme ili poteškoće, molimo vas da se obratite službi za podršku korisnicima: www.dewalt.eu	Stranica: 122-131
HU	A készülék használatba vétele előtt gondosan olvassa el az útmutatót. A későbbi hivatközások érdekében őrizze meg az útmutatót. Kérdés vagy probléma esetén forduljon ügyfélszolgálatunkhoz: www.dewalt.eu	132-141. oldal
LT	Prieš pradėjami naudoti įrenginį, atidžiai perskaitykite šias instrukcijas. Išsaugokite šias instrukcijas, kad bet kada galėtumėte jas vėl perskaityti. Jei kyla problemų arba sunkumų, kreipkitės į klientų pagalbos liniją: www.dewalt.eu	Puslapis: 142-151
LV	Pirms lietošanas, lūdz, rūpīgi izlasiet šo pamācību. Lūdz, saglabāiet šos norādījumus turpmākaī uzziņai. Ja rodas kādas problēmas vai grūtības, lūdz, sazinieties ar Klientu palīdzības dienestu: www.dewalt.eu	Lappuse: 152-161
NL	Lees deze gebruiksaanwijzing vóór het gebruik aandachtig door. Bewaar deze gebruiksaanwijzing voor latere raadpleging. Contacteer bij problemen of moeijlichkeiten de hulplijn voor de gebruikers: www.dewalt.eu	Pagina: 162-172
NO	Les disse instruksjonene nøye før bruk. Ta vare på instruksjonene for senere bruk. Ved problemer eller vanskeligheter, kontakt kundeservice: www.dewalt.eu	Side: 173-182
PL	Przed użyciem należy uważnie przeczytać niniejszą instrukcję obsługi. Instrukcję należy zachować na przyszłość. W razie jakichkolwiek problemów lub trudności można skontaktować się z działem pomocy technicznej pod adresem: www.dewalt.eu	Strona: 183-193
PT	Leia atentamente estas instruções antes de utilizar o aparelho. Conserve estas instruções para consultas futuras. Em caso de problemas ou dificuldades, contacte a helpline de atendimento aos consumidores: www.dewalt.eu	Página: 194-204
RO	Vă rugăm să citiți cu atenție aceste instrucțiuni înainte de a utiliza. Vă rugăm să păstrați aceste instrucțiuni pentru consultarea pe viitor. În caz de problemă sau dificultăți, vă rugăm să contactați linia de asistență a clienților: www.dewalt.eu	Pagina: 205-214
RU	Внимательно прочитайте эти инструкции до начала использования. Сохраните инструкции для пользования ими в будущем. При появлении проблем или затруднений обращайтесь в отдел обслуживания клиентов: www.dewalt.eu	Страница: 215-225
SK	Pred použitím si, prosím, pozorne prečítajte tento návod. Tento návod si odložte na použitie v budúcnosti. Ak narazíte na akékoľvek problémy alebo ťažkosti, obráťte sa na linku pomoci pre zákazníkov: www.dewalt.eu	Strana: 226-235
SL	Pred uporabo pazljivo preberite ta navodila. Ta navodila shranite za prihodnjo uporabo. Če naletite na težave, se obrnite na službo za pomoč kupcem: www.dewalt.eu	Stran: 236-245
SV	Läs bruksanvisningen noggrant före användning. Förvara bruksanvisningen för framtida bruk. Vid ev. problem eller frågeställningar, kontakta kundtjänst på www.dewalt.eu	Sid.: 246-255
TR	Kullanmadan önce, bu talimatları dikkatlice okuyunuz. Bu talimatları, ileride danışmak için saklayınız. Problem veya zorluk durumunda, tüketici yardım hattına başvurunuz: www.dewalt.eu	Sayfa: 256-265
UK	Перед експлуатацією уважно прочитайте цю інструкцію. Зберігайте цю інструкцію для подальшого використання в довідкових цілях. У разі виникнення проблем або труднощів звертайтеся до нашої служби підтримки: www.dewalt.eu	Сторінки: 266-275
AR	يرجى قراءة هذه التعليمات بدقة وانتباه قبل الاستعمال. يرجى الاحتفاظ بكتيب التعليمات هذا للرجوع إليه مستقبلا. في حالة واجهتم صعوبات أو مشاكل، يرجى الاتصال بمصلحة دعم العملاء: www.dewalt.eu	الصفحة: 276-284



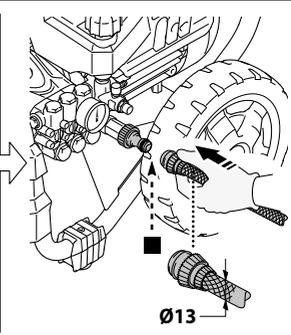
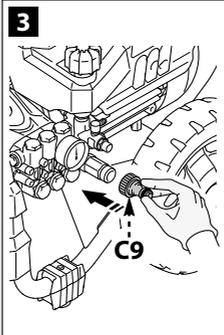
1



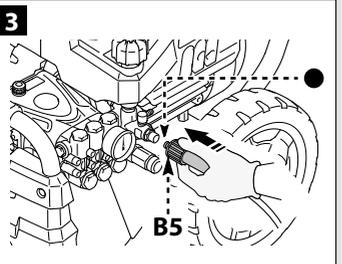
2



3

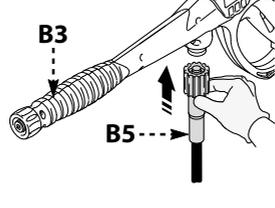


3

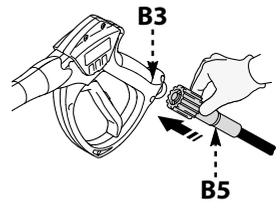


4

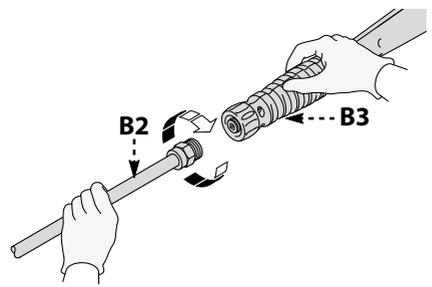
DXPW004E
DXPW005E



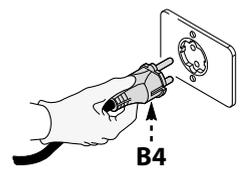
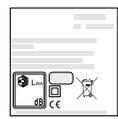
DXPW006E
DXPW007E

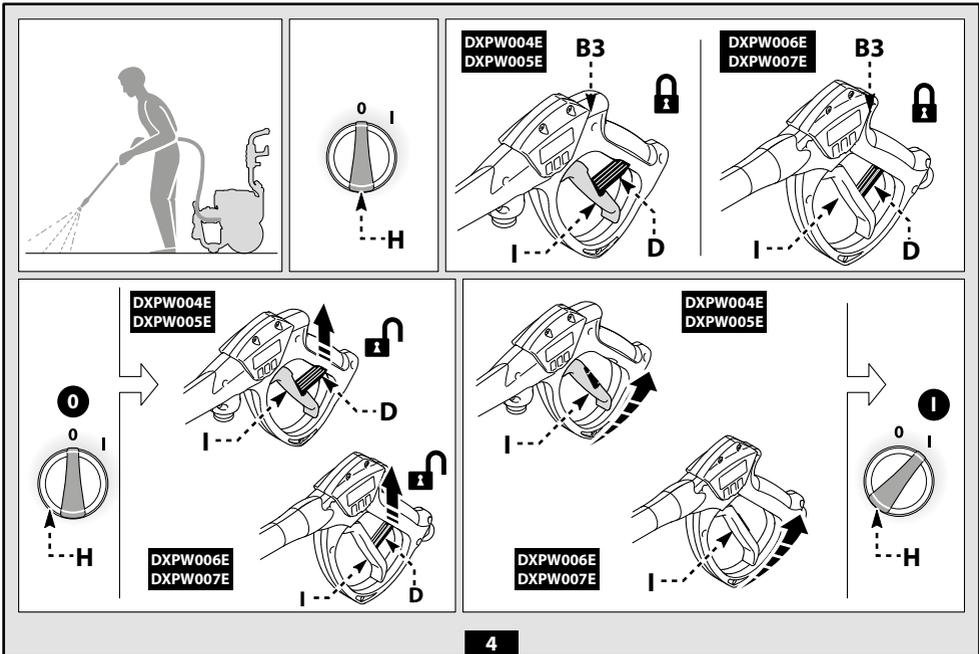
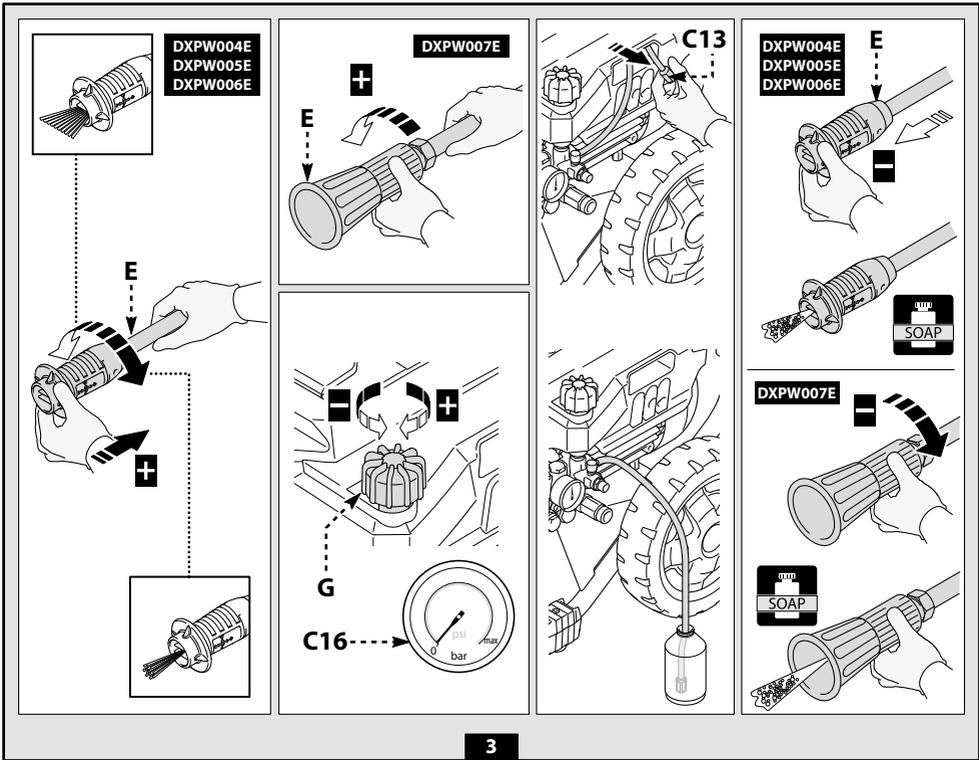


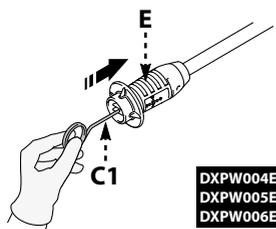
5



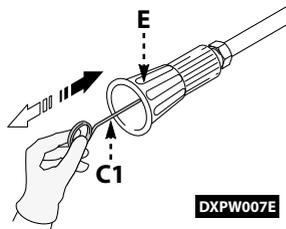
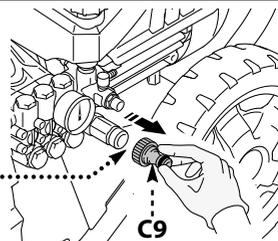
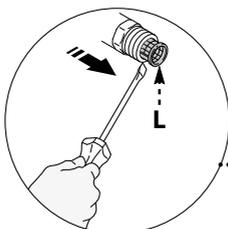
8



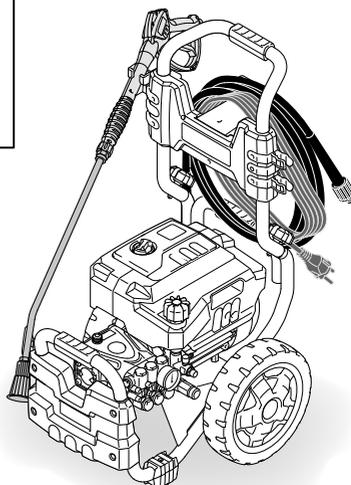
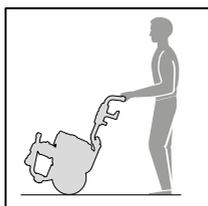
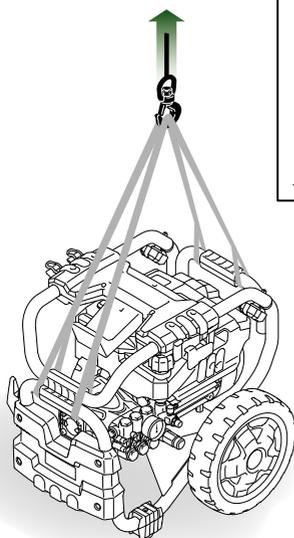
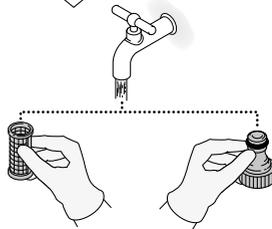
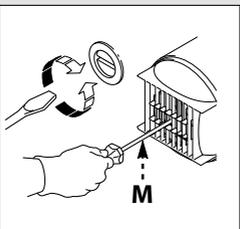




DXPW004E
DXPW005E
DXPW006E



DXPW007E



5



Volt



1 ÷ 25 m



25 ÷ 50 m

230 1~
400 3~

3 x 1,5 mm²
4 x 1,5 mm²

3 x 2,5 mm²
4 x 2,5 mm²

I

1 SAFETY INSTRUCTIONS

- 1.1** The appliance you have purchased is a technologically advanced product designed by one of the leading European manufacturers of high pressure washers. To obtain the best performance from your unit, read this booklet carefully and follow the instructions each time you use it. During connection, use and servicing of the appliance, take all possible precautions to protect your own safety and that of the people in the immediate vicinity. Read the safety regulations carefully and comply with them on all occasions; failure to do so may put health and safety at risk or cause expensive damage.

2 SAFETY SIGNS

- 2.1** Comply with the instructions provided by the safety signs and symbols fitted to the appliance and in this manual.

The appliance and manual only feature the symbols relevant to the model purchased. Check that the symbols and signs affixed to the appliance are always present and legible; otherwise, fit replacements in the original positions.

 Warning - Caution - Hazard

  Please read these instructions carefully before use.

 E2 symbol (if symbol appears in manual)- Indicates that the appliance is intended for professional use, i.e. for experienced people familiar with the relative technical, regulatory and legislative factors and capable of performing the operations involved in using and maintaining the appliance. This appliance is not intended for use by children, persons with impaired physical, sensory or mental capabilities, or persons without the necessary experience and knowledge.

 Moving parts. Do not touch.



0 Switch "OFF" position

I Switch "ON" position



Guaranteed sound power level



Prohibition sign, informs users that local regulations may prohibit connection of the product to the drinking water supply system.



Danger sign, warns users not to direct the water jet at people, animals, electrical equipment or the product itself.



This product is rated in insulation class I. This means that it is equipped with a protective earthing conductor (only if symbol appears on appliance).

CE The product complies with the relevant European directives.



E1 symbol - Indicates that the appliance **must not be disposed of** as municipal waste; it may be handed in to the dealer on purchase of a new appliance. The appliance's electrical and electronic parts must not be reused for improper uses since they contain substances which constitute health hazards.



Wear ear defenders.



Wear a protective mask.



Wear respiratory protection.



Wear protective gloves.



Wear safety footwear.



Wear protective clothing.



3 SAFETY RULES/RESIDUAL RISKS

3.1 SAFETY "DO NOTS"

- 3.1.1 **WARNING.** DO NOT allow children to use the appliance; supervise them to ensure that they do not play with it.
- 3.1.2 **WARNING.** High pressure jets may be dangerous if incorrectly used.
- 3.1.3 **WARNING.** DO NOT use the appliance with flammable or toxic liquids, or any products which are not compatible with its correct operation. Use of the appliance in a potentially inflammable or explosive atmosphere is forbidden.
- 3.1.4 **WARNING. RISK OF EXPLOSION.** DO NOT use the appliance to spray flammable liquids.
- 3.1.5 **WARNING.** DO NOT point the water jet at people or animals.
- 3.1.6 **WARNING.** DO NOT point the water jet at the unit itself, electrical parts or other electrical equipment.
- 3.1.7 **WARNING.** DO NOT use the appliance with people within its range of action unless they are wearing protective clothing.
- 3.1.8 **WARNING.** DO NOT point the jet at yourself or others to clean clothing or footwear.
- 3.1.9 **WARNING.** DO NOT use the appliance outdoors when it is raining.
- 3.1.10 **WARNING.** DO NOT allow children, incompetent persons or those who have not read and understood the instructions to use the appliance.
- 3.1.11 **WARNING.** DO NOT touch the plug and/or socket with wet hands.
- 3.1.12 **WARNING.** DO NOT use the appliance if the electric cable is damaged. If the electric cable is damaged, it must be replaced by the manufacturer, one of its authorised Service Centres or similarly qualified persons in order to avoid a safety hazard.
- 3.1.13 **WARNING.** DO NOT use the appliance if a supply cable or important parts such as the safety devices, high pressure hoses or gun are damaged.
- 3.1.14 **WARNING.** DO NOT jam the trigger in the operating position.
- 3.1.15 **WARNING.** Check that the data plate is affixed to the appliance; if not, inform your dealer. Appliances without plates must NOT be used as they are unidentifiable and potentially dangerous.
- 3.1.16 **WARNING.** DO NOT tamper with or adjust the setting of the safety valve or the safety devices.
- 3.1.17 **WARNING.** DO NOT alter the original diameter of the spray head nozzle.
- 3.1.18 **WARNING.** DO NOT move the appliance by pulling on the ELECTRIC CABLE.



- 3.1.19 WARNING.** DO NOT allow vehicles to drive over the high pressure hose.
- 3.1.20 WARNING.** DO NOT move the appliance by pulling on the high pressure hose.
- 3.1.21 WARNING.** When directed towards tyres, tyre valves or other pressurised components, the high pressure jet is potentially dangerous. Do not use the rotating nozzle kit, and always keep the jet at a distance of at least 30 cm during cleaning.
- 3.1.22 WARNING.** The use of non-original accessories and any other spare parts not specifically intended for the model in question is prohibited. All modifications to the appliance are prohibited; any modifications shall render the Declaration of Conformity null and void and relieve the manufacturer of all liability under civil and criminal law.

3.2 SAFETY “MUSTS”

- 3.2.1 WARNING.** All electrical conductors **MUST BE PROTECTED** against the water jet.
- 3.2.2 WARNING.** The electric supply connection must be made by a qualified electrician and comply with IEC 60364-1. Either a residual current device that will cut off the power supply if the leakage current to earth exceeds 30 mA for 30 ms or a ground fault interrupt device must be installed.
- 3.2.3 WARNING.** DURING start-up, the appliance may cause network noise.
- 3.2.4 WARNING.** Use of a residual current breaker (RCB) will provide additional protection for the operator (30 mA).
- 3.2.5 WARNING.** Models supplied without plug must be installed by qualified staff.
- 3.2.6 WARNING.** Use only approved electrical extension leads with suitable conductor cross-section.
- 3.2.7 WARNING.** Always turn off the switch when leaving the appliance unattended.

- 3.2.8**      

WARNING. High pressure may cause parts to rebound: wear all the protective clothing (PPE) and equipment needed to ensure the operator's safety.

- 3.2.9 WARNING.** Before doing work on the appliance, **REMOVE** the plug.
- 3.2.10 WARNING.** Before pressing the trigger, **GRIP** the gun firmly to counteract the recoil.
- 3.2.11 WARNING.** **COMPLY WITH** the local water supply authority regulations. Under IEC 60335-2-79, the appliance may only be connected to the mains drinking water supply if the supply hose is fitted with a backflow preventer valve with drain facility corresponding to EN 12729 type BA. The backflow preventer can be ordered from the manufacturer.



- 3.2.12 WARNING.** Water that has passed through backflow preventers is considered to be non-potable.
- 3.2.13 WARNING.** Maintenance and/or repair of electrical components **MUST** be carried out by qualified staff.
- 3.2.14 WARNING.** **DISCHARGE** residual pressure before disconnecting the hose from the appliance.
- 3.2.15 WARNING.** **CHECK** before each use and at regular intervals that the screws are fully tightened and that there are no broken or worn parts.
- 3.2.16 WARNING.** **ONLY USE** detergents which will not corrode the coating materials of the high pressure hose / electric cable.
- 3.2.17 WARNING.** **ENSURE** that all people or animals keep a minimum distance of 16 yd. (15m) away.
- 3.2.18 WARNING.** This appliance is designed for use with the detergent supplied or recommended by the manufacturer. The use of other detergents or chemicals may adversely affect the appliance's safety.
- 3.2.19 WARNING.** Do not allow the detergent to come into contact with the skin, and the eyes in particular! In case of contact with eyes, rinse with plenty of water and seek medical advice at once!
- 3.2.20 WARNING.** High pressure hoses, fittings and joints are important for the appliance's safety. Use only hoses, fittings and joints recommended by the manufacturer.
- 3.2.21 WARNING.** To ensure the appliance's safety, only use the manufacturer's genuine parts, or other parts which carry its approval.
- 3.2.22 WARNING.** If an extension cord is used, the plug and socket must be of watertight construction.
- 3.2.23 WARNING.** Unsuitable extension cables can be dangerous. If an extension cable is used, it must be suitable for outdoor use, and the connection must be kept dry and off the ground. Use of a power cable reel which keeps the socket at least 60 mm above the ground is strongly recommended.
- 3.2.24 WARNING.** Switch the appliance off and disconnect it from the power supply before assembly, cleaning, adjustments, maintenance, storage and transportation.
- 3.2.25 WARNING.** Insert the pipe jet kit down to the red mark before turning the appliance on.



4 GENERAL INFORMATION (FIG.1)/PAGE 3**4.1 Use of the manual**

The manual forms an integral part of the appliance and should be kept for future reference. Please read it carefully before installing/using the unit. If the appliance is sold, the seller must pass on this manual to the new owner along with the appliance.

4.2 Delivery

The appliance is delivered partially assembled in a cardboard box. The supply package is illustrated in fig.1.

4.2.1 Documentation supplied with the appliance

- A1** Use and maintenance manual
- A2** Safety instructions
- A3** Declaration of conformity
- A4** Warranty regulations

4.3 Disposing of packaging

The packaging materials are not environmental pollutants but must still be recycled or disposed of in compliance with the relevant legislation in the country of use.

5 TECHNICAL INFORMATION (FIG.1)/PAGE 3**5.1 Envisaged use**

This appliance has been designed for individual use for the cleaning of vehicles, machines, boats, masonry, etc., to remove stubborn dirt using clean water and biodegradable chemical detergents.

Vehicle engines may be washed only if the dirty water is disposed of as per regulations in force.

- Intake water temperature: **see data plate on the appliance.**
- Intake water pressure: **min. 0.1 MPa - max. 1 MPa.**
- Operating ambient temperature: **above 0°C.**

The appliance is compliant with the IEC 60335-1 and IEC 60335-2-79 standards.

5.2 Operator

The symbol illustrated in fig. 1 identifies the appliance's intended operator (professional or non-professional).

5.3 Main components

- B2** Lance
- B3** Gun with safety catch
- B4** Electric cable with plug (on models with this feature)
- B5** High pressure hose
- B6** Detergent tank (on models with this feature)
- B7** Oil cap (on models with this feature)
- E** Nozzle
- F** Detergent regulator (on models with this feature)
- G** Pressure regulator (on models with this feature)
- H** Starter device
- L** Water filter

5.3.1 Accessories (if included in the supply package – see fig.1)

- | | |
|--|------------------------------------|
| C1 Nozzle cleaning tool | C9 Adapter |
| C2 Rotating nozzle kit | C10 Screws |
| C3 Handle | C11 Brackets |
| C4 Brush | C12 Lever |
| C5 Hose reel | C13 Detergent kit |
| C6 Water suction kit | C14 Wheels |
| C7 Pipe jet kit | C15 Lubricating grease tube |
| C8 Large surface cleaning brush kit | C16 Pressure gauge |
| | C17 Accessories adapter |

5.4 Safety devices

- Starter device (**H**)
The starter device prevents accidental use of the appliance.

**Warning - danger!**

Do not tamper with or adjust the safety valve setting.

- Safety valve and/or pressure limiting valve.

The safety valve is also a pressure limiting valve. When the gun trigger is released, the valve opens and the water recirculates

through the pump inlet or is discharged onto the ground.

- Thermostat valve (**D1** where fitted) If the water temperature exceeds the temperature set by the manufacturer, the thermostat valve discharges the hot water and draws in an amount of cold water equal to the amount of water discharged, until the correct temperature is restored.
- Safety catch (**D**): prevents accidental spraying of water.
- Overload cutout: stops the appliance in case of overload.

6 INSTALLATION (FIG.2)/PAGE 4**6.1 Assembly****Warning - danger!**

All installation and assembly operations must be performed with the appliance disconnected from the mains power supply.

The assembly sequence is illustrated in fig.2.

6.2 Fitting the pressure release caps (on models with this feature)

To prevent oil leaks, the appliance is delivered with the oil intakes sealed with red caps which must be replaced with the pressure release caps supplied.

6.3 Fitting the rotating nozzle

(For models with this feature).

The rotating nozzle kit delivers greater washing power.

Use of the rotating nozzle may cause a reduction in pressure of 25% compared to the pressure obtained with the adjustable nozzle. However, the rotating nozzle kit delivers greater washing power due to the rotation of the water jet.

6.4 Electrical connection**Warning - danger!**

Check that the electrical supply voltage and frequency (V-Hz) correspond to those specified on the data plate (fig.2).

6.4.1 Use of extension cables

Use cables and plugs with "IPXS" protection level.

The cross-section of the extension cable should be proportionate to its length; the longer it is, the greater its cross-section should be. See table 1.

6.5 Water supply connection**Warning - danger!**

Only clean or filtered water should be supplied to the appliance. The flow rate of the water inlet tap should be equal to the pump flow rate.

Place the appliance as close to the water supply system as possible.

6.5.1 Connection points

- Water outlet (OUTLET)

- Water inlet with filter (INLET)

6.5.2 Connection to the mains water supply

The appliance may only be connected directly to the mains drinking water supply if the supply hose is fitted with a backflow preventer valve as per current regulations in force. Make sure that the hose is at least Ø 13 mm, that it is reinforced and that it is not more than 25 m long.

6.5.3 Suction of water from open containers

- 1) Screw the inlet hose with filter to the water INLET and insert it down to the bottom of the container.
- 2) Vent the air from the appliance:
 - a) Unscrew the lance.
 - b) Start the appliance and keep the gun open until there are no air bubbles in the water flowing out.
- 3) Switch the appliance off and screw the lance back on.
N.B.: the maximum suction height is 0.5 m. The suction hose should be filled before use.

7 ADJUSTMENTS (FIG.3)/PAGE 5**7.1 Adjusting the spray nozzle (for models with this feature)**

Water flow is adjusted by regulating the nozzle (**E**).

7.2 Adjusting the detergent

To deliver detergent at the correct pressure, set the nozzle (E) (where fitted) on "■" or fit the detergent kit (C13) (where available) as shown.

The quantity of detergent delivered is adjusted using the regulator (F).

7.3 Adjusting the working pressure (on models with this feature)
The regulator (G) is used to adjust the working pressure. The pressure is shown on the pressure gauge (where fitted).**8 INFORMATION ON USE OF THE APPLIANCE (FIG.4)/PAGE 5****8.1 Controls**

- Starter device (H).

Set the starter switch on (ON/I) to:

- a) start the motor (in models without TSS device);
- b) set the motor ready to start (in models with TSS device).

If there is a pilot light on the starter device, it should light up.

Set the starter device switch on (OFF/O) to stop the appliance.

If there is a pilot light on the starter device, it should go out.

- Water jet control lever (I).

**Warning - danger!**

During operation the appliance must be positioned as shown in fig. 4 on a firm, stable surface.

8.2 Start-up (see fig. 4)

- 1) Turn on the water supply tap fully.
- 2) Release the safety catch (D).
- 3) Depress the gun trigger for a few seconds and start up the appliance using the starter device (ON/I).

**Warning - danger!**

Before starting up the appliance check that it is receiving water correctly; use of the appliance without water will damage it. Do not cover the ventilation grilles when the appliance is in use.

TSS models - In TSS models with automatic delivery flow cut-off system: - when the gun trigger is **released** the dynamic pressure automatically cuts out the motor;

- when the gun trigger is **depressed** the automatic drop in pressure starts the motor and the pressure is restored after a very slight delay;

- if the TSS is to function correctly, all gun trigger **releasing** and **depressing** operations must be at **least** 4-5 seconds apart.

To prevent damage to the appliance, do not allow it to operate dry and check that it is properly supplied with water. For models without TSS, to prevent damage to the appliance due to an increase in water temperature, do not cut off the jet of water for more than 5 minutes with the appliance running.

8.3 Stopping

- 1) Set the starter device switch on (OFF/O).
- 2) Depress the gun trigger and discharge the residual pressure inside the pipes.
- 3) Engage the safety catch (D).

8.4 Restarting

- 1) Release the safety catch (D).
- 2) Depress the gun trigger and discharge the residual air inside the pipes.
- 3) Set the starter device on (ON/I).

8.5 Storage

- 1) Turn off the water supply tap.
- 2) Discharge the residual pressure from the gun until all the water has come out of the appliance.
- 3) Switch the appliance off (OFF/O).
- 4) Remove the plug from the socket.
- 5) Drain and wash out the detergent tank at the end of the working session. To wash out the tank, use clean water instead of the detergent.
- 6) Engage the gun safety catch (D).

8.6 Refilling and using detergent

The detergent must be delivered using the accessories and by the procedures described in point 7.3.

Use of a high pressure hose longer than the one originally supplied with the appliance, or the use of an additional hose extension, may reduce or completely halt the suction of detergent.

Fill the tank (B6) with highly biodegradable detergent.

8.7 Recommended cleaning procedure

Dissolve dirt by applying the detergent mixed with water to the surface while still dry.

When dealing with vertical surfaces work from the bottom upwards. Leave the detergent to act for 1-2 minute but do not allow the surface to dry. Starting from the bottom, use the high pressure jet at a minimum distance of 30 cm. Do not allow the rinse water to run onto unwashed surfaces.

In some cases, scrubbing with brushes is needed to remove dirt.

High pressure is not always the best solution for good cleaning results, since it may damage some surfaces. The finest adjustable nozzle jet setting or the rotating nozzle should not be used on delicate or painted parts, or on pressurised components (e.g. tyres, inflation valves, etc.).

Effective cleaning depends on both the pressure and volume of the water used, to the same degree.

9 MAINTENANCE (FIG.5)/PAGE 6

Any maintenance operations not covered by this chapter should be carried out by an Authorised Sales and Service Centre.

**Warning - danger!**

Always disconnect the plug from the power socket before carrying out any work on the appliance.

9.1 Cleaning the nozzle

- 1) Disconnect the lance from the nozzle.
- 2) Remove any dirt deposits from the nozzle hole using the tool (C1).

9.2 Cleaning the filter

Inspect the inlet filter (L) and detergent filter (if fitted) before each use, and clean in accordance with the instructions if necessary.

9.3 Unjamming the motor (on models with this feature)

In case of lengthy stoppages, limescale sediments may cause the motor to seize. To unjam the motor, turn the drive shaft with a tool (M).

9.4 Refilling the oil (for models with this feature)

Add oil through the intake hole to restore the correct level.

For oil characteristics, refer to the "Technical Data" table.

9.5 End-of-season storage

Treat the appliance with non-corrosive, non-toxic antifreeze before storing it away for winter.

Put the appliance in a dry place, protected from frost.

10 STORAGE AND TRANSPORTATION (FIG. 5)/PAGE 6

Store the accessories as shown in fig. 5.

Transport the machine as shown in fig. 5.

12 HOW TO AVOID DAMAGING SURFACES**WARNING**

- 12.1 Using the appliance to wash tyres may damage the tyre and can be dangerous.
 12.2 Never point the high pressure jet straight at the tyre.
 12.3 Always use the appliance at the lowest pressure setting when cleaning in the vicinity of wheels and tyres.
 12.4 Never use the "Turbo Lance" for washing any part of the vehicle.
 12.5 For further information refer to section: "8.7 Recommended cleaning procedure".

**EC Declaration of Conformity**

We, Annovi Reverberi S.p.A, declare that the following De Walt Machine(s):

Designation of machine	High pressure washer			
Model No.	DXPW 004 E	DXPW 005 E	DXPW 006 E	DXPW 007 E
Rated power	3 kW	5 kW	5 kW	7,4 kW

conform(s) to the following European Directives: 2006/42/EC, 2014/35/EU, 2011/65/EU, 2015/863/EU, 2012/19/EU, 2014/30/EU and 2000/14/EC and are (is) manufactured in accordance with the following standards or standardised documents: EN 60335-1; EN 60335-2-79; EN 55014-1; EN 55014-2; EN 61000-3-2; EN 61000-3-3; EN 61000-3-11; EN 60704-1; EN 62233; EN IEC 63000

Name and address of the person appointed to issue the technical file: Stefano Reverberi / AR Managing Director Via ML King, 3 - 41122 Modena, Italy

The conformity assessment procedure required by Directive 2000/14/EC has been performed in accordance with Annex V

Model No.	DXPW 004 E	DXPW 005 E	DXPW 006 E	DXPW 007 E
Measured sound power level:	93,5 dB (A)	93,9 dB (A)	93,9 dB (A)	94,4 dB (A)
Guaranteed sound power level:	96 dB (A)	96 dB (A)	96 dB (A)	97 dB (A)

Date: 04.03.2022

MODENA (I)

Stefano Reverberi


 Managing Director
WARRANTY

The validity of the warranty is in accordance with the relevant legislation in the country where the product is sold (unless otherwise stated by the producer). The warranty covers materials, construction and conformity defects during the warranty period, during which time the manufacturer will replace defective parts and repair the product if not excessively worn, or replace it.

The warranty does not cover components subject to normal wear and tear (valve, piston, water gasket, oil gasket, springs, O-rings, accessories such as the hose, gun, brushes, wheels, etc.);

The warranty does not cover defects caused by or arising from:

- improper use, misuse, negligence,
- hire or professional use if the product has been sold for domestic use,
- failure to comply with the maintenance instructions provided in this manual,
- repair by unauthorised staff or centres,
- use of non-genuine parts or accessories,
- damage caused by transport, by dirt or foreign bodies, accidents,
- storage or warehousing problems.

Proof of purchase must be submitted to obtain warranty cover.

For assistance, page: 285.

Technical Data

Technical Data	Unit	DXPW 004 E	DXPW 005 E	DXPW 006 E	DXPW 007 E
Flow rate	l/min	10	13,5	15	14
Maximum flow rate	l/min	-	-	-	-
Pressure	MPa	12	18	15	21
Maximum pressure	MPa	15	20	17	23
Power	kW	3	5	5	7,4
Maximum inlet temperature	°C	60	60	60	60
Maximum inlet pressure	MPa	1	1	1	1
Gun repulsive force at maximum pressure	N	24,30	40,10	40,70	44,90
Pump oil type	kg	0.26 SAE 15W40	0.26 SAE 15W40	0.35 SAE 15W40	0.35 SAE 15W40
Protection class	-	I/⊕	I/⊕	I/⊕	I/⊕
Motor insulation	Class	F	F	F	F
Motor protection	-	IPX5	IPX5	IPX5	IPX5
Voltage	V/Hz	230/50 1~	400/50 3~	400/50 3~	400/50 3~
Maximum permitted electrical system impedance	Ω	-	-	-	-
Sound pressure level L_{pa} (EN 60704-1)(K = 2,5 dB(A))	dB (A)	82,1	82,5	82,5	83
Sound power level L_{WA} (EN 60704-1)(K = 2,5 dB(A))	dB (A)	96	96	96	97
Appliance vibration (K = 1 m/s ²):	m/s ²	<2,5	<2,5	<2,5	<2,5
Weight	kg	38	40	40	64

Subject to technical modification!

1 ISTRUZIONI PER LA SICUREZZA

- 1.1** La macchina da Voi acquistata è un prodotto ad alto contenuto tecnologico realizzato da una delle più esperte ditte europee di idropulitrici ad alta pressione. Per ottenere il meglio delle prestazioni, abbiamo compilato queste righe da leggere attentamente e osservare a ogni utilizzo. In fase di allacciamento, uso e manutenzione della macchina adottare tutte le precauzioni possibili per salvaguardare la propria incolumità e quella delle persone nelle immediate vicinanze. Leggere attentamente e rispettare le prescrizioni di sicurezza poiché se trascurate possono mettere a rischio la salute e la sicurezza delle persone o provocare danni economici.

2 SEGNALAZIONI DI INFORMAZIONE

- 2.1** Rispettare le segnalazioni dettate dalle targhe e dai simboli applicati sulla macchina e su queste istruzioni.

Sono presenti sulla macchina e sul libretto solo i simboli opportuni per la macchina acquistata. Verificare che simboli e targhe applicati sulla macchina siano sempre integri e leggibili; in caso contrario, sostituirli applicandoli nella posizione originale.

 **Attenzione - Pericolo**

  **Leggere attentamente queste istruzioni prima dell'uso.**

 **Icona E2** (se il simbolo è presente in fig. 1) - Indica che la macchina è destinata all'uso professionale, cioè alle persone che hanno esperienza, conoscenza tecnica, normativa, legislativa e in grado di svolgere le attività necessarie all'uso e alla manutenzione della macchina. La presente macchina non è destinata all'uso da parte di persone (compresi i bambini) con capacità fisiche, sensoriali o mentali ridotte, o mancanza di esperienza e conoscenze.

 **Organi in movimento. Non toccare.**

0 Posizione interruttore spento

I Posizione interruttore acceso

 **L_{wa}**
dB **Livello di potenza sonora garantito**



 Divieto, segnala all'utilizzatore che le normative nazionali possono proibire il collegamento del prodotto alla rete di distribuzione dell'acqua potabile.



Segnale di pericolo, segnala all'utilizzatore di non indirizzare il getto d'acqua verso persone, animali, equipaggiamenti elettrici o verso il prodotto stesso.

 Questo prodotto è di classe di isolamento I. Ciò significa che è equipaggiato di un conduttore di protezione di messa a terra (solo se il simbolo è presente sulla macchina).

 Questo prodotto è conforme con le direttive Europee applicabili in materia.



Icona E1 - Indica l'obbligo di **non smaltire** la macchina come rifiuto urbano; può essere riconsegnata al distributore all'atto dell'acquisto di una macchina nuova. Le parti elettriche ed elettroniche costituenti la macchina non devono essere riutilizzate per usi impropri per la presenza di sostanze dannose alla salute.

 Utilizzare cuffie di protezione.

 Utilizzare maschera di protezione.

 Utilizzare dispositivi di protezione dell'apparato respiratorio.

 Utilizzare guanti protettivi.

 Utilizzare scarpe antiinfortunistiche.

 Utilizzare abbigliamento di protezione.



3 PRESCRIZIONI DI SICUREZZA/RISCHI RESIDUI

3.1 AVVERTENZE: NON FARE

- 3.1.1 **ATTENZIONE.** NON permettere l'uso della macchina ai bambini, ma sorvegliarli per accertarsi che non giochino con essa.
- 3.1.2 **ATTENZIONE.** I getti a pressione possono essere pericolosi se utilizzati in modo improprio.
- 3.1.3 **ATTENZIONE.** NON utilizzare la macchina con fluidi infiammabili, tossici o aventi caratteristiche non compatibili con il corretto funzionamento della macchina stessa. È vietato utilizzare la macchina in atmosfera potenzialmente infiammabile od esplosiva.
- 3.1.4 **ATTENZIONE. PERICOLO DI ESPLOSIONE.** NON irrorare liquidi infiammabili.
- 3.1.5 **ATTENZIONE.** NON dirigere il getto dell'acqua contro persone o animali.
- 3.1.6 **ATTENZIONE.** NON dirigere il getto dell'acqua contro la macchina stessa, parti elettriche o verso altre apparecchiature elettriche.
- 3.1.7 **ATTENZIONE.** NON impiegare la macchina entro il raggio in cui si trovano persone che non indossano abbigliamento di protezione.
- 3.1.8 **ATTENZIONE.** NON dirigere il getto contro la propria persona o altri per pulire abiti o calzature.
- 3.1.9 **ATTENZIONE.** NON utilizzare la macchina all'aperto in caso di pioggia.
- 3.1.10 **ATTENZIONE.** La macchina NON può essere azionata da bambini, da incapaci e da coloro che non abbiano letto e compreso le istruzioni.
- 3.1.11 **ATTENZIONE.** NON toccare la spina e/o la presa con le mani bagnate.
- 3.1.12 **ATTENZIONE.** NON utilizzare la macchina col cavo elettrico danneggiato. Se il cavo elettrico è danneggiato, deve essere sostituito dal produttore, da un suo Centro Assistenza autorizzato o da persone ugualmente qualificate per evitare pericoli per la sicurezza.
- 3.1.13 **ATTENZIONE.** NON impiegare la macchina se un cavo di alimentazione o parti importanti come p.es. dispositivi di sicurezza, tubi ad alta pressione, pistola, risultano danneggiati.
- 3.1.14 **ATTENZIONE.** NON bloccare la leva della pistola in posizione di funzionamento.
- 3.1.15 **ATTENZIONE.** Controllare che la macchina sia provvista della targhetta caratteristiche, se sprovvista avvertire il rivenditore. Le macchine sprovviste di targhetta NON devono essere usate, essendo anonime e potenzialmente pericolose.



- 3.1.16 ATTENZIONE.** NON manomettere o variare la taratura della valvola di regolazione e dei dispositivi di sicurezza.
- 3.1.17 ATTENZIONE.** NON variare il diametro originale del getto della testina.
- 3.1.18 ATTENZIONE.** NON spostare la macchina tirando il CAVO ELETTRICO.
- 3.1.19 ATTENZIONE.** Evitare il transito di veicoli sul tubo alta pressione.
- 3.1.20 ATTENZIONE.** NON spostare la macchina tirando il tubo alta pressione.
- 3.1.21 ATTENZIONE.** Il getto alta pressione su pneumatici, valvole di pneumatici e altri componenti in pressione è potenzialmente pericoloso. Evitare l'utilizzo del kit ugello rotante e comunque mantenere una distanza del getto di almeno 30 cm durante la pulizia.
- 3.1.22 ATTENZIONE.** È vietato utilizzare accessori non originali e non specifici per il modello. È vietato eseguire modifiche alla macchina; l'esecuzione di modifiche fa decadere la Dichiarazione di Conformità ed esonera il costruttore da responsabilità civili e penali.
- 3.2 AVVERTENZE: DA FARE**
- 3.2.1 ATTENZIONE.** Tutte le parti conduttrici di corrente DEVONO ESSERE PROTETTE contro il getto dell'acqua.
- 3.2.2 ATTENZIONE.** Il collegamento elettrico dovrà essere eseguito da un elettricista qualificato in conformità alla norma IEC 60364-1. Si raccomanda di prevedere un interruttore differenziale che interrompa l'alimentazione elettrica alla presente macchina se la corrente di dispersione verso terra supera i 30 mA per 30 ms, oppure un dispositivo di controllo del circuito di terra.
- 3.2.3 ATTENZIONE.** DURANTE la fase di avviamento, la macchina può generare disturbi in rete.
- 3.2.4 ATTENZIONE.** Il funzionamento con un interruttore differenziale di sicurezza offre una protezione personale supplementare (30 mA).
- 3.2.5 ATTENZIONE.** Nei modelli sprovvisti di spina l'installazione deve essere effettuata da personale qualificato.
- 3.2.6 ATTENZIONE.** Utilizzare solo prolunghe elettriche autorizzate e con sezione di conduzione appropriata.
- 3.2.7 ATTENZIONE.** Disinserire sempre l'interruttore quando si lascia la macchina incustodita.



3.2.8



ATTENZIONE. L'alta pressione può causare il rimbalzo di parti, usare tutti quegli indumenti e protezioni (PPE) che consentano la messa in sicurezza e l'incolumità dell'operatore.

3.2.9 ATTENZIONE. Prima di eseguire lavori sulla macchina, ESTRARRE la spina.

3.2.10 ATTENZIONE. A causa del rinculo, IMPUGNARE saldamente la pistola quando si tira la leva.

3.2.11 ATTENZIONE. RISPETTARE le prescrizioni dell'ente locale di distribuzione dell'acqua. Secondo la IEC 60335-2-79 la macchina può essere collegata direttamente alla rete pubblica di distribuzione dell'acqua potabile solamente se nella tubazione di alimentazione è installato un dispositivo antiriflusso con svuotamento tipo BA conforme alla norma EN 12729. Il dispositivo antiriflusso può essere ordinato presso il fabbricante.

3.2.12 ATTENZIONE. L'acqua fluita nei dispositivi antiriflusso non è considerata potabile.

3.2.13 ATTENZIONE. La manutenzione e/o la riparazione dei componenti elettrici DEVE essere effettuata da personale qualificato.

3.2.14 ATTENZIONE. SCARICARE la pressione residua prima di staccare il tubo dalla macchina.

3.2.15 ATTENZIONE. CONTROLLARE prima di ogni utilizzo e periodicamente il serraggio delle viti ed il buon stato delle parti componenti la macchina, guardare se ci sono parti rotte od usurate.

3.2.16 ATTENZIONE. UTILIZZARE solo detergenti compatibili coi materiali di rivestimento del tubo alta pressione / cavo elettrico.

3.2.17 ATTENZIONE. TENERE persone od animali alla distanza minima di 15 m.

3.2.18 ATTENZIONE. La presente macchina è stata progettata per l'uso con i detergenti forniti o raccomandati dal fabbricante. L'uso di detergenti o prodotti chimici diversi può avere un impatto negativo sulla sua sicurezza.

3.2.19 ATTENZIONE. Evitare il contatto del detergente con la pelle, in particolare con gli occhi! In caso di contatto con gli occhi, risciacquare con acqua pulita e cercare aiuto medico immediato!

3.2.20 ATTENZIONE. I tubi ad alta pressione, i raccordi e i giunti sono importanti per la sicurezza della macchina. Utilizzare esclusivamente tubi ad alta pressione, raccordi e giunti consigliati dal fabbricante.



- 3.2.21 ATTENZIONE.** Per garantire la sicurezza della macchina, utilizzare soltanto ricambi originali del fabbricante o approvati dal medesimo.
- 3.2.22 ATTENZIONE.** Se si utilizza una prolunga, la spina e la presa devono essere a tenuta stagna.
- 3.2.23 ATTENZIONE.** I cavi di prolunga inadeguati possono risultare pericolosi. Se s'impiega un cavo di prolunga, scegliere un tipo idoneo per l'uso all'aperto e accertarsi che il collegamento resti asciutto e distante dal terreno. Si raccomanda di utilizzare a tale scopo un avvolgicavo, che mantenga la presa ad almeno 60 mm di distanza dal terreno.
- 3.2.24 ATTENZIONE.** Spegnerne la macchina e scollegarla dalla sorgente di alimentazione prima di effettuare operazioni di montaggio, pulizia, regolazione, manutenzione, stoccaggio e trasporto.
- 3.2.25 ATTENZIONE.** Inserire il kit pulizia tubazioni fino alla tacca rossa prima di accendere la macchina.



4 INFORMAZIONI GENERALI (FIG.1)/PAGINA 3**4.1 Uso del manuale**

Il presente manuale è parte integrante della macchina; conservare per future consultazioni. Leggere attentamente prima dell'installazione/uso. In caso di passaggi di proprietà il cedente ha l'obbligo di consegnare il manuale al nuovo proprietario.

4.2 Consegnare

La macchina è consegnata all'interno di un imballo di cartone, parzialmente smontata.

La composizione della fornitura è rappresentata in fig.1.

4.2.1 Documentazione a corredo

- A1** Manuale di uso e manutenzione
- A2** Istruzioni per la sicurezza
- A3** Dichiarazione di conformità
- A4** Regole garanzia

4.3 Smaltimento degli imballi

I materiali costituenti l'imballo non sono inquinanti per l'ambiente, tuttavia devono essere riciclati o smaltiti secondo la normativa vigente nel paese di utilizzo.

5 INFORMAZIONI TECNICHE (FIG.1)/PAGINA 3**5.1 Uso previsto**

La macchina è destinata all'uso individuale per la pulizia di veicoli, macchine, natanti, opere murarie ecc., per rimuovere lo sporco tenace con acqua pulita e detergenti chimici biodegradabili.

Il lavaggio di motori di veicoli è consentito solamente se l'acqua sporca viene smaltita secondo le norme vigenti.

- Temperatura acqua in ingresso: **vedi targa caratteristiche sulla macchina.**

- Pressione acqua in ingresso: **min. 0,1 MPa - max. 1 MPa.**

- Temperatura ambientale di funzionamento: **superiore a 0°C.**

La macchina è conforme alla norma IEC 60335-1 e IEC 60335-2-79.

5.2 Operatore

Per identificare l'operatore addetto all'uso della macchina (professionale o non professionale) vedere l'icona rappresentata in fig. 1.

5.3 Parti principali

- B2** Lancia
- B3** Pistola con sicura
- B4** Cavo elettrico con spina (dove previsto)
- B5** Tubo alta pressione
- B6** Serbatoio detergente (dove previsto)
- B7** Tappo olio (dove previsto)
- E** Testina
- F** Regolatore detergente (dove previsto)
- G** Regolatore pressione (dove previsto)
- H** Dispositivo di avviamento
- L** Filtro acqua

5.3.1 Accessori (se previsti nella fornitura - vedere fig.1)

- | | |
|---|-------------------------------------|
| C1 Utensile pulizia testina | C9 Adattatore |
| C2 Kit ugello rotante | C10 Viterie |
| C3 Manico | C11 Staffe |
| C4 Spazzola | C12 Leva |
| C5 Avvolgitubo | C13 Kit detergente |
| C6 Kit aspiraz. acqua | C14 Ruote |
| C7 Kit pulizia tubazioni | C15 Tub. grasso lubrificante |
| C8 Kit spazzola per grandi superfici | C16 Manometro |
| | C17 Adattatore accessori |

5.4 Dispositivi di sicurezza

- Dispositivo di avviamento (**H**)

Il dispositivo di avviamento evita l'uso accidentale della macchina.

**Attenzione - pericolo!**

Non manomettere o variare la taratura della valvola di sicurezza.

- Valvola di sicurezza e/o limitatrice di pressione.

La valvola di sicurezza è anche una valvola limitatrice di pressione. Quando si chiude la pistola, la valvola si apre e l'acqua ricircola dall'aspirazione della pompa oppure si scarica a terra.

- Valvola termostatica (**D1** dove prevista)

Se la temperatura dell'acqua supera la temperatura prevista dal costruttore, la valvola termostatica scarica l'acqua calda e aspira una quantità di acqua fredda pari all'acqua scaricata fino al ripristino della temperatura corretta.

- Sicura (**D**): evita il getto d'acqua accidentale.

- Protezione termica: in caso di sovraccarico la protezione termica ferma la macchina.

6 INSTALLAZIONE (FIG.2)/PAGINA 4**6.1 Montaggio****Attenzione - pericolo!**

Tutte le operazioni d'installazione e montaggio devono essere effettuate con la macchina scollegata dalla rete elettrica.

Per la sequenza di montaggio vedere **fig.2.**

6.2 Montaggio dei tappi di sfiato (dove previsto)

Per evitare perdite d'olio, la macchina è consegnata con le bocche di immissione olio chiuse con tappi di colore rosso che devono essere sostituiti con i tappi di sfiato compresi nella fornitura.

6.3 Montaggio dell'ugello rotante

(Per i modelli che ne sono equipaggiati).

Il kit ugello rotante permette di erogare una maggiore potenza di lavaggio.

L'uso dell'ugello rotante può coincidere con un calo della pressione pari al 25% rispetto alla pressione ottenuta con la testina regolabile. Comunque il suo utilizzo permette di erogare una maggiore potenza di lavaggio grazie all'effetto rotante impresso al getto di acqua.

6.4 Collegamento elettrico**Attenzione - pericolo!**

Verificare che la rete elettrica corrisponda al voltaggio e alla frequenza (V-Hz) riportata sulla targa di identificazione (fig.2).

6.4.1 Utilizzo dei cavi di prolunga

Utilizzare cavi e spine con grado di protezione "IPX5".

La sezione dei cavi di prolunga deve essere proporzionata alla sua lunghezza; più è lunga, maggiore deve essere la sezione. Vedi tabella 1.

6.5 Collegamento idrico**Attenzione - pericolo!**

Aspirare solamente acqua filtrata o pulita. Il rubinetto di prelievo acqua deve garantire una erogazione pari alla portata della pompa.

Collocare la macchina il più vicino possibile alla rete idrica di approvvigionamento.

6.5.1 Bocche di collegamento

- Uscita acqua (OUTLET)
- Entrata acqua con filtro (INLET)

6.5.2 Collegamento alla rete idrica pubblica

La macchina può essere collegata direttamente alla rete pubblica di distribuzione dell'acqua potabile solamente se nella tubazione di alimentazione è installato un dispositivo antiriflusso con svuotamento conforme alle normative vigenti. Assicurarsi che il tubo sia almeno Ø 13 mm, che sia rinforzato e che non abbia una lunghezza superiore a 25 m.

6.5.3 Aspirazione di acqua da contenitori aperti

- 1) Avvitare il tubo di aspirazione con il filtro all'entrata dell'acqua (INLET) ed immergerlo a fondo nel contenitore.
- 2) Sfiatare la macchina:
 - a) Svitare la lancia.
 - b) Avviare la macchina ed aprire la pistola affinché l'acqua che fuoriesce sia priva di bolle d'aria.

- 3) Spegner la macchina e riavvitare la lancia.
Nota: l'altezza massima di aspirazione è di 0,5 m. È consigliato riempire il tubo di aspirazione prima dell'utilizzo.

7 REGOLAZIONI (FIG.3)/PAGINA 5

- 7.1 Regolazione della testina** (dove previsto)
Agire sulla testina (E) per regolare il getto d'acqua.
- 7.2 Regolazione erogazione detergente**
Per erogare il detergente alla corretta pressione, mettere la testina (E) (dove prevista) in posizione "■" oppure montare il kit detergente (C13) (dove previsto) come illustrato in figura.
Agire sul regolatore (F) per dosare la quantità di detergente da erogare (dove previsto).
- 7.3 Regolazione pressione di lavoro** (dove previsto)
Agire sul regolatore (G) per variare la pressione di lavoro. La pressione è indicata dal manometro (se presente).

8 INFORMAZIONI D'USO (FIG.4)/PAGINA 5

- 8.1 Comandi**
- Dispositivo di avviamento (H).
Mettere il dispositivo di avviamento in pos. (ON/I) per:
a) avviare il motore (nei modelli senza dispositivo TSS);
b) predisporre al funzionamento il motore (nei modelli provvisti di dispositivo TSS).
Se il dispositivo di avviamento è dotato di spia, questa si deve accendere. Mettere il dispositivo di avviamento in pos. (OFF/O) per arrestare il funzionamento della macchina.
Se il dispositivo di avviamento è dotato di spia, questa si deve spegnere.
- Leva di comando getto d'acqua (I).



Attenzione - pericolo!

La macchina deve funzionare appoggiata su di un piano sicuro e stabile, posizionata come indicato in fig.4.

- 8.2 Avviamento** (vedi fig. 4)
1) Aprire completamente il rubinetto della rete idrica.
2) Disinserire la sicura (D).
3) Tenere la pistola aperta per alcuni secondi e avviare la macchina con il dispositivo di avviamento (ON/I).



Attenzione - pericolo!

Prima di mettere in funzione la macchina, assicurarsi che sia correttamente alimentata dall'acqua; l'utilizzo a secco danneggia la macchina; durante il funzionamento non coprire le griglie di ventilazione.

Modelli TSS - Nei modelli TSS, con interruzione automatica della mandata:

- **chiudendo** la pistola, la pressione dinamica spegne automaticamente il motore elettrico;
- **aprendo** la pistola, la caduta di pressione avvia automaticamente il motore e la pressione si riforma con un piccolissimo ritardo;
- per un corretto funzionamento del TSS, le operazioni di **chiusura** e **apertura** pistola **non** devono essere effettuate in un intervallo di tempo inferiore ai 4-5 secondi.

Per evitare danneggiamenti alla macchina evitare il funzionamento a secco e controllare che la macchina sia sempre adeguatamente alimentata con acqua.

Per i modelli senza TSS per evitare danneggiamenti alla macchina dovuti ad aumento della temperatura dell'acqua, non interrompere, con macchina in funzione, il getto d'acqua per un periodo superiore a 5 minuti.

- 8.3 Arresto**
1) Mettere il dispositivo di avviamento in pos. (OFF/O).
2) Aprire la pistola e scaricare la pressione all'interno delle tubazioni.
3) Inserire la sicura (D).
- 8.4 Riavviamento**
1) Disinserire la sicura (D).
2) Aprire la pistola e lasciare scaricare l'aria presente all'interno delle tubazioni.

- 3) Mettere il dispositivo di avviamento in pos. (ON/I).

8.5 Messa fuori servizio

- 1) Chiudere il rubinetto dell'acqua.
- 2) Scaricare la pressione residua dalla pistola fino alla fuoriuscita di tutta l'acqua dalla macchina.
- 3) Spegner la macchina (OFF/O).
- 4) Estrarre la spina dalla presa.
- 5) Svuotare e lavare il serbatoio detergente a fine lavoro. Per il lavaggio del serbatoio utilizzare acqua pulita al posto del detergente.
- 6) Inserire la sicura (D) della pistola.

8.6 Rifornimento e uso del detergente

Il detergente deve essere erogato con gli accessori e secondo le modalità previsti al punto 7.3.

L'uso di un tubo alta pressione più lungo di quello nella dotazione originale della macchina o l'uso di una prolunga tubo supplementare può diminuire o arrestare completamente l'aspirazione del detergente da serbatoio (dove previsto).

Riempire il serbatoio (B6) con detergente ad alta biodegradabilità.

8.7 Consigli per il corretto lavaggio

Sciogliere lo sporco applicando sulla superficie secca il detergente. Sulle superfici verticali operare dal basso verso l'alto. Lasciare agire per 1÷2 minuti, senza lasciare però asciugare la superficie. Agire con il getto ad alta pressione ad una distanza maggiore di 30 cm, cominciando dal basso. Evitare che il risciacquo coli sulle superfici non lavate.

In taluni casi per rimuovere lo sporco è necessaria l'azione meccanica delle spazzole per lavaggio.

La pressione alta non è sempre la miglior soluzione per un buon lavaggio, in quanto può danneggiare taluni superfici. È consigliabile evitare l'uso del getto a spillo della testina regolabile e l'uso dell'ugello rotante su parti delicate e verniciate e su componenti in pressione (es. pneumatici, valvole di gonfiaggio...).

Una buona azione lavante dipende in egual misura dalla pressione e dal volume di acqua.

9 MANUTENZIONE (FIG.5)/PAGINA 6

Tutti gli interventi manutentivi non compresi in questo capitolo devono essere effettuati presso un Centro di vendita e Assistenza autorizzato.



Attenzione - pericolo!

Prima di eseguire qualsiasi intervento sulla macchina, estrarre la spina dalla presa di corrente.

9.1 Pulizia della testina

- 1) Smontare la lancia dalla pistola.
- 2) Togliere lo sporco dal foro della testina con l'utensile (C1).

9.2 Pulizia del filtro

Verificare il filtro aspirazione (L) e il filtro detergente (dove previsto) prima di ogni utilizzo e, nel caso sia necessario, procedere alla pulizia come indicato.

9.3 Sbloccaggio motore

(dove previsto)
In caso di soste prolungate, sedimenti calcarei possono provocare il bloccaggio del motore. Per sbloccare il motore ruotare l'albero motore con l'utensile (M).

9.4 Rabbocco olio

(dove previsto)
Rabboccare con olio dal foro di immissione fino a ripristinare il corretto livello.

Per le caratteristiche dell'olio vedere tabella "Dati tecnici".
Si consiglia di sostituire l'olio ogni 500 ore di uso.

9.5 Rimessaggio

Prima del rimessaggio invernale, far funzionare la macchina con liquido antigelo non aggressivo e non tossico.

Mettere l'apparecchio in luogo asciutto e protetto dal gelo.

10 STOCCAGGIO E TRASPORTO (FIG.5)/PAGINA 6

Stoccare gli accessori come previsto in fig. 5.

Trasportare la macchina come previsto in fig. 5.

12 COME NON DANNEGGIARE LE SUPERFICI**ATTENZIONE**

- 12.1 L'utilizzo della macchina per il lavaggio di pneumatici può causare danni ai pneumatici e risultare pericoloso.
- 12.2 Non rivolgere il getto ad alta pressione direttamente sul pneumatico.
- 12.3 Utilizzare sempre la macchina alla pressione più bassa quando si effettuano operazioni di pulizia vicino a ruote e pneumatici.
- 12.4 Non usare mai la "Lancia turbo" per lavare una qualsiasi parte del veicolo.
- 12.5 Per ulteriori informazioni leggere la sezione: "8.7 Consigli per il corretto lavaggio".

**Dichiarazione di conformità CE**

Noi di Annovi Reverberi S.p.A., Bomporto (Mo), Italia, dichiariamo che la(e) seguente(i) macchina(e) De Walt:

Denominazione della macchina	Idropulitrice ad alta pressione			
N. modello	DXPW 004 E	DXPW 005 E	DXPW 006 E	DXPW 007 E
Potenza assorbita	3 kW	5 kW	5 kW	7,4 kW
Portata nominale	600 l/h	810 l/h	840 l/h	900 l/h

è(sono) conforme(i) alle seguenti direttive europee:

2006/42/CE, 2014/35/UE, 2011/65/UE, 2015/863/UE, 2012/19/UE, 2014/30/UE, 2000/14/CE (D. Lgs. 262/2002).

ed è(sono) prodotta(e) nel rispetto delle seguenti norme o dei seguenti documenti standardizzati: EN 60335-1; EN 60335-2-79; EN 55014-1; EN 55014-2; EN 61000-3-2; EN 61000-3-3; EN 61000-3-11; EN 60704-1; EN 62233; EN IEC 63000;

Nome e indirizzo della persona incaricata di rilasciare il fascicolo tecnico: Stefano Reverberi / AR Managing Director Via ML King, 3 - 41122 Modena, Italia

La procedura di valutazione della conformità richiesta dalla direttiva 2000/14/CE è stata eseguita in osservanza all'Allegato V

N. modello	DXPW 004 E	DXPW 005 E	DXPW 006 E	DXPW 007 E
Livello di potenza sonora misurato:	93,5 dB (A)	93,9 dB (A)	93,9 dB (A)	94,4 dB (A)
Livello di potenza sonora garantito:	96 dB (A)	96 dB (A)	96 dB (A)	97 dB (A)

Data : 04.03.2022 - **MODENA (I)**

Stefano Reverberi


Managing Director

Garanzia

La validità della garanzia è regolamentata dalle normative vigenti nel paese in cui il prodotto viene commercializzato (salvo diverse indicazioni del produttore).

Se il prodotto risulta difettoso per qualità del materiale, della costruzione o per mancata conformità durante il periodo di validità della garanzia il fabbricante garantisce la sostituzione delle parti difettose, provvede alla riparazione dei prodotti se ragionevolmente usati oppure alla loro sostituzione.

La garanzia non copre componenti soggetti a normale usura (valvola, pistone, guarnizione acqua, guarnizione olio, molle, anelli OR, accessori come tubo, pistola, spazzole, ruote, ecc.);

La garanzia non copre difetti causati da o risultati da:

- uso scorretto, uso non ammesso, negligenza,
- noleggio o uso professionale qualora il prodotto sia stato venduto per uso domestico,
- mancata osservazione delle norme di manutenzione previste nell'apposito libretto,
- riparazioni eseguite da personale o centri non autorizzati,
- impiego di ricambi o accessori non originali,
- danni causati dal trasporto, da oggetti o sostanze estranee, sinistro,
- problemi di immagazzinaggio o stoccaggio.

Per attivare la garanzia è necessario esibire la prova d'acquisto.

Per assistenza, pagina: 285.

Dati Tecnici	Unità	DXPW 004 E	DXPW 005 E	DXPW 006 E	DXPW 007 E
Portata	l/min	10	13,5	15	14
Portata massima	l/min	-	-	-	-
Pressione	MPa	12	18	15	21
Pressione massima	MPa	15	20	17	23
Potenza	kW	3	5	5	7,4
Temperatura di alimentazione massima	°C	60	60	60	60
Pressione di alimentazione massima	MPa	1	1	1	1
Forza repulsiva della pistola alla pressione massima	N	24,30	40,10	40,70	44,90
Tipo olio pompa	kg	-	-	-	-
Classe Protezione	-	II/⊕	II/⊕	II/⊕	II/⊕
Isolamento Motore	Classe	F	F	F	F
Protezione Motore	-	IPX5	IPX5	IPX5	IPX5
Tensione	V/Hz	230/50 1~	400/50 3~	400/50 3~	400/50 3~
Massima impedenza di rete consentita	Ω	-	-	-	-
Livello di pressione sonora L_{pA} (EN 60704-1) (K = 2,5 dB(A))	dB (A)	82,1	82,5	82,5	83
Livello di potenza sonora L_{WA} (EN 60704-1) (K = 2,5 dB(A))	dB (A)	96	96	96	97
Vibrazioni dell'apparecchio (K = 1 m/s ²):	m/s ²	<2,5	<2,5	<2,5	<2,5
Peso	kg	38	40	40	64

Con riserva di modifiche tecniche!

1 УКАЗАНИЯ ЗА БЕЗОПАСНОСТТА

- 1.1** Закупеният от вас уред представлява високотехнологично изделие, конструирано от един от водещите европейски производители на водоструйни машини. За да се възползвате в максимална степен от машината, прочетете внимателно тази книжка и спазвайте указанията при всяко нейно използване. По време на свързването, използването и обслужването на уреда вземете всички възможни предпазни мерки, за да осигурите своята собствена безопасност и тази на хората в непосредствена близост. Прочетете внимателно разпоредбите за безопасността и ги спазвайте винаги; в противен случай можете да изложите на опасност здравето и безопасността или да причините скъпо струваща повреда.

2 ЗНАЦИ ЗА БЕЗОПАСНОСТ

- 2.1** Спазвайте указанията, дадени до знаците и символите за безопасност, поставени на уреда и в това ръководство.

Уредът и ръководството съдържат само символите, които имат отношение към закупения модел. Проверете дали поставените на уреда символи и знаци са винаги налице и четливи; в противен случай ги сменете с нови такива на първоначалните места.

 Предупреждение – Внимание – Опасност

 Прочетете внимателно тези указания преди употреба.

 Символ E2 (ако символът фигурира в ръководството) – означава, че уредът е предназначен за професионална употреба – т. е. за опитни потребители, запознати със съответните технически, нормативни и законови фактори и способни да извършват съответните операции при употребата и обслужването на уреда. Този уред не е предназначен за използване от деца, лица с намалени физически, сетивни или умствени способности, или лица без необходимия опит и познания.

 Подвижни части. Не пипайте.

0 „Изключено“ положение

I „Включено“ положение

 Гарантирано ниво на звукова мощност



 Забранителен знак – уведомява потребителите, че местните разпоредби може да забраняват свързването на изделието със системата за снабдяване с питейна вода.



Знак за опасност – предупреждава потребителите да не насочват водната струя към хора, животни, електроапаратура или самото изделие.

 Това изделие има I изолационен клас. Това означава, че има защитен заземяващ проводник (само ако символът фигурира на уреда).

CE Изделието е в съответствие с приложимите европейски директиви.



Символ E1 – означава, че уредът **не трябва да се изхвърля** като битов отпадък; той може да се предаде на представителя при закупуването на нов уред. Електрическите и електронните части на уреда не трябва да се използват повторно по нерегламентиран начин, тъй като съдържат опасни за здравето вещества.

 Носете антифони.

 Носете защитна маска.

 Носете предпазни средства за дихателните пътища.

 Носете защитни ръкавици.

 Носете защитни обувки.

 Носете защитно облекло.

3 ПРАВИЛА ЗА БЕЗОПАСНОСТТА/ОСТАТЪЧНИ РИСКОВЕ

3.1 „ЗАБРАНИ“ ЗА БЕЗОПАСНОСТТА

3.1.1 Предупреждение. НЕ позволявайте на деца да използват уреда; наблюдавайте ги, за да не си играят с него.

3.1.2 Предупреждение. Струите под високо налягане могат да бъдат опасни, ако се използват неправилно.



- 3.1.3** **ПРЕДУПРЕЖДЕНИЕ.** НЕ използвайте уреда с огнеопасни или отровни течности, както и с продукти, несъвместими с правилната му експлоатация. Използването на уреда в потенциално огнеопасна или взривоопасна атмосфера е забранено.
- 3.1.4** **ПРЕДУПРЕЖДЕНИЕ. ОПАСНОСТ ОТ ВЗРИВ.** НЕ използвайте уреда за пръскане на огнеопасни течности.
- 3.1.5** **ПРЕДУПРЕЖДЕНИЕ.** НЕ насочвайте водната струя към хора или животни.
- 3.1.6** **ПРЕДУПРЕЖДЕНИЕ.** НЕ насочвайте водната струя към самата машина, електрически части или друга електроапаратура.
- 3.1.7** **ПРЕДУПРЕЖДЕНИЕ.** НЕ използвайте уреда, ако в неговия работен диапазон има хора, които не носят защитно облекло.
- 3.1.8** **ПРЕДУПРЕЖДЕНИЕ.** НЕ насочвайте струята към себе си или други хора, за да почиствате облекло или обувки.
- 3.1.9** **ПРЕДУПРЕЖДЕНИЕ.** НЕ използвайте уреда на открито, когато вали.
- 3.1.10** **ПРЕДУПРЕЖДЕНИЕ.** НЕ позволявайте деца, некомпетентни лица или такива, които не са прочели и разбрали указанията, да използват уреда.
- 3.1.11** **ПРЕДУПРЕЖДЕНИЕ.** НЕ докосвайте щепсела и/или контакта с мокри ръце.
- 3.1.12** **ПРЕДУПРЕЖДЕНИЕ.** НЕ използвайте уреда, ако електрическият кабел е повреден. Ако електрическият кабел е повреден, той трябва да се смени от производителя, някой от упълномощените от него сервизни центрове или подобни квалифицирани лица, за да се избегне риск за безопасността.
- 3.1.13** **ПРЕДУПРЕЖДЕНИЕ.** НЕ използвайте уреда, ако захранващият кабел или важни части като защитните средства, маркучите за високо налягане или пистолетът са повредени.
- 3.1.14** **ПРЕДУПРЕЖДЕНИЕ.** НЕ фиксирайте спусъка в работното положение.
- 3.1.15** **ПРЕДУПРЕЖДЕНИЕ.** Проверете дали идентификационната табелка е поставена на уреда; ако не е, уведомете представителя. Уреди без табелки НЕ трябва да се използват, защото не могат да се идентифицират и са потенциално опасни.
- 3.1.16** **ПРЕДУПРЕЖДЕНИЕ.** НЕ манипулирайте и не променяйте настройката на защитния вентил или защитните средства.
- 3.1.17** **ПРЕДУПРЕЖДЕНИЕ.** НЕ променяйте оригиналния диаметър на дюзата на пръскащата глава.
- 3.1.18** **ПРЕДУПРЕЖДЕНИЕ.** НЕ движете уреда с дърпане на ЕЛЕКТРИЧЕСКИЯ КАБЕЛ.
- 3.1.19** **ПРЕДУПРЕЖДЕНИЕ.** Не допускайте превозни средства да минават през маркуча за високо налягане.
- 3.1.20** **ПРЕДУПРЕЖДЕНИЕ.** НЕ движете уреда с дърпане на маркуча за високо налягане.



3.1.21 **ПРЕДУПРЕЖДЕНИЕ.** Когато бъде насочена към гуми, вентили на гуми или други компоненти под налягане, струята под високо налягане е потенциално опасна. Не използвайте комплекта с въртяща се дюза и винаги поддържайте струята на най-малко 30 cm разстояние по време на чистене.

3.1.22 **ПРЕДУПРЕЖДЕНИЕ.** Използването на неоригинални аксесоари и всякакви други резервни части, които не са специално предназначени за въпросния модел, е забранено. Всякакви изменения по уреда са забранени; всички изменения анулират Декларацията за съответствие и освобождават производителя от всякаква отговорност по гражданското и наказателното право.

3.2 „ЗАДЪЛЖЕНИЯ“ ЗА БЕЗОПАСНОСТТА

3.2.1 **ПРЕДУПРЕЖДЕНИЕ.** Всички електрически проводници ТРЯБВА ДА БЪДАТ ЗАЩИТЕНИ от водната струя.

3.2.2 **ПРЕДУПРЕЖДЕНИЕ.** Свързването с електрозахранването трябва да се изпълни от правоспособен електротехник и да съответства на IEC 60364-1. Трябва да се монтира дефектнотокова защита, която изключва захранването, ако токът на утечка към земята превиши 30 mA за 30 ms, или защитен прекъсвач за късо съединение към земята.

3.2.3 **ПРЕДУПРЕЖДЕНИЕ.** ПО ВРЕМЕ НА пуск уредът може да предизвика шум по мрежата.

3.2.4 **ПРЕДУПРЕЖДЕНИЕ.** Използването на защитен прекъсвач за дефектнотокова защита (RCB) ще осигури допълнителна защита за оператора (30 mA).

3.2.5 **ПРЕДУПРЕЖДЕНИЕ.** Моделите, доставяни без щепсел, трябва да се монтират от квалифициран персонал.

3.2.6 **ПРЕДУПРЕЖДЕНИЕ.** Използвайте само одобрени електрически удължители с подходящо сечение на проводниците.

3.2.7 **ПРЕДУПРЕЖДЕНИЕ.** Винаги изключвайте превключвателя, когато оставяте уреда без надзор.

3.2.8      

ПРЕДУПРЕЖДЕНИЕ. Високото налягане може да причини отскачане на части: носете цялото необходимо защитно облекло и лични предпазни средства (ЛПС) за осигуряване на безопасността на оператора.

3.2.9 **ПРЕДУПРЕЖДЕНИЕ.** Преди да работите по уреда, ИЗВАДЕТЕ щепсела.

3.2.10 **ПРЕДУПРЕЖДЕНИЕ.** Преди да натискате спуська, ХВАНЕТЕ пистолета здраво, за да удържите отката.

3.2.11 **ПРЕДУПРЕЖДЕНИЕ.** СПАЗВАЙТЕ разпоредбите на местния орган за водно регулиране. Съгласно IEC 60335-2-79, уредът може да се свързва с водоснабдителната мрежа за питейна вода само ако захранващият маркуч има вентил за предотвратяване на противотока със средство за източване по EN 12729, тип VA. Вентилът за предотвратяване на противотока може да се поръча от производителя.



- 3.2.12** **ПРЕДУПРЕЖДЕНИЕ.** Водата, преминала през вентилите за предотвратяване на противотока, се счита за негодна за пиене.
- 3.2.13** **ПРЕДУПРЕЖДЕНИЕ.** Обслужването и/или ремонтът на електрически компоненти ТРЯБВА да се извършват от квалифициран персонал.
- 3.2.14** **ПРЕДУПРЕЖДЕНИЕ.** ИЗПУСНЕТЕ остатъчното налягане, преди да разкачвате маркуча от уреда.
- 3.2.15** **ПРЕДУПРЕЖДЕНИЕ.** ПРОВЕРЯВАЙТЕ преди всяко използване и на редовни интервали дали болтовете са затегнати докрай и дали няма повредени или износени части.
- 3.2.16** **ПРЕДУПРЕЖДЕНИЕ.** ИЗПОЛЗВАЙТЕ САМО почистващи препарати, които няма да разядат материалите на покритията на маркуча за високо налягане/електрическия кабел.
- 3.2.17** **ПРЕДУПРЕЖДЕНИЕ.** ПОГРИЖЕТЕ СЕ всички хора или животни да се намират на минимално разстояние от 16 ярда (15 метра).
- 3.2.18** **ПРЕДУПРЕЖДЕНИЕ.** Този уред е предназначен за използване с почистващия препарат, доставен или препоръчан от производителя. Използването на други почистващи препарати или химикали може да наруши безопасността на уреда.
- 3.2.19** **ПРЕДУПРЕЖДЕНИЕ.** Не позволявайте почистващият препарат да попадне върху кожата и особено върху очите! Ако попадне върху очите, изплакнете обилно с вода и незабавно потърсете медицинска помощ!
- 3.2.20** **ПРЕДУПРЕЖДЕНИЕ.** Маркучите, фитингите и съединенията за високо налягане са важни за безопасността на уреда. Използвайте само препоръчаните от производителя маркучи, фитинги и съединения.
- 3.2.21** **ПРЕДУПРЕЖДЕНИЕ.** За да осигурите безопасността на уреда, използвайте само оригиналните части на производителя или други одобрени от него.
- 3.2.22** **ПРЕДУПРЕЖДЕНИЕ.** Ако се използва удължителен кабел, щепселът и контактът трябва да са с водонепропусклива конструкция.
- 3.2.23** **ПРЕДУПРЕЖДЕНИЕ.** Неподходящите удължителни кабели могат да бъдат опасни. Ако се използва удължителен кабел, той трябва да бъде подходящ за използване на открито, а връзката трябва да се пази суха и да не опира в земята. Използването на макара със захранващ кабел, която поддържа контакта на поне 60 mm над земята, е силно препоръчително.
- 3.2.24** **ПРЕДУПРЕЖДЕНИЕ.** Изключете уреда и го разкачете от електрозахранването преди монтаж, почистване, регулиране, обслужване, съхранение и транспортиране.
- 3.2.25** **ПРЕДУПРЕЖДЕНИЕ.** Вкарайте тръбния струен комплект до червената маркировка, преди да включвате уреда.



4 ОБЩА ИНФОРМАЦИЯ (ФИГ. 1)/СТРАНИЦА 3

4.1 Използване на ръководството

Ръководството е неделима част от уреда и трябва да се пази за справки. Прочетете го внимателно, преди да монтирате или използвате машината. Ако уредът се продава, продавачът трябва да предаде това ръководство, заедно с уреда, на новия собственик.

4.2 Доставка

Уредът се доставя частично сглобен в кашон. Окомплектоването на доставката е илюстрирано на фиг. 1.

4.2.1 Документация, доставена с уреда

- A1** Ръководство за експлоатация и техническо обслужване
- A2** Указания за безопасността
- A3** Декларация за съответствие
- A4** Гаранционни условия

4.3 Деponиране на амбалажа

Амбалажните материали не замърсяват околната среда, но въпреки това трябва да се рециклират или депонират в съответствие с действащото законодателство в страната на употреба.

5 ТЕХНИЧЕСКА ИНФОРМАЦИЯ (ФИГ. 1)/СТРАНИЦА 3

5.1 Предназначение

Този уред е предназначен за индивидуална употреба за почистване на превозни средства, машини, лодки и др., за отстраняване на упорити замърсявания с помощта на чиста вода и биоразградими химически почистващи препарати. Двигатели на автомобили могат да се мият само ако мръсната вода се депонира съгласно действащите разпоредби.

- Температура на входящата вода: **вижте идентификационната табелка на уреда.**

- Налягане на входящата вода: **мин. 0,1 МРа – макс. 1 МРа.**

- Работна околна температура: **над 0 °С.**

Уредът съответства на стандартите IEC 60335-1 и IEC 60335-2-79.

5.2 Оператор

Даденият на фиг. 1 символ посочва за какъв оператор (професионален или непрофесионален) е предназначен уредът.

5.3 Основни компоненти

- B2** Удължителна тръба
- B3** Пистолет с осигурител
- B4** Електрически кабел с щепсел (на моделите, които имат)
- B5** Маркуч за високо налягане
- B6** Резервоар за почистващ препарат (на моделите, които имат)
- B7** Капачка за масло (на моделите, които имат)
- E** Дюза
- F** Регулатор за почистващ препарат (на моделите, които имат)
- G** Регулатор за налягането (на моделите, които имат)
- H** Пусково устройство
- L** Воден филтър

5.3.1 Аксесоари (ако са включени в доставката – вижте фиг. 1)

- | | |
|--|---|
| C1 Инструмент за почистване на дюзата | C10 Болтове |
| C2 Комплект с въртяща се дюза | C11 Конзоли |
| C3 Дръжка | C12 Лост |
| C4 Четка | C13 Комплект за почистващ препарат |
| C5 Ролка за маркуч | C14 Колелата |
| C6 Смукателен комплект за вода | C15 Тубичка смазочна грес |
| C7 Тръбен струен комплект | C16 Манометър |
| C8 Комплект четка за почистване на | C17 Преходник |
| C9 Преходник | |

5.4 Защитни средства

- Пусково устройство (H)
Пусковото устройство предпазва от неволно включване на уреда.

 **Предупреждение – опасност!**
Не манипулирайте и не променяйте настройката на защитния вентил.

- Защитен вентил и/или ограничителен вентил за налягането.

Защитният вентил представлява и ограничителен вентил за налягането. Когато спусъкът на пистолета бъде пуснат, вентилът се отваря и водата рециркулира през входа на помпата или се излива на земята.

- Вентил на термостата (D1, където има)
Ако температурата на водата превиши температурата, установена от производителя, вентилът на термостата изпуска горещата вода и поема количество студена вода, равно на количеството на изпуснатата вода, докато подходящата температура се възстанови.
- Осигурител (D): предотвратява неволно пръскане на вода.
- Изключвател при претоварване: спира уреда при претоварване.

6 МОНТАЖ (ФИГ. 2)/СТРАНИЦА 4

6.1 Сглобяване

 **Предупреждение – опасност!**
Всички операции по монтажа и сглобяването трябва да се изпълняват, когато уредът е изключен от мрежовото захранване.

Последователността на сглобяването е илюстрирана на **фиг. 2.**

6.2 Поставяне на изпускателните капачки (на моделите, които имат)
За да се избегнат течове на масло, уредът се доставя с входящи отвори за масло, запечатани с червени капачки, които трябва да се сменят с доставените изпускателни капачки.

6.3 Поставяне на въртящата се дюза (на моделите, които имат).
Комплектът с въртяща се дюза осигурява по-добри възможности за измиване.

Използването на въртящата се дюза може да доведе до понижаване на налягането с 25% в сравнение с налягането при регулируемата дюза. Въпреки това комплектът с въртяща се дюза осигурява по-добри възможности за измиване поради въртенето на водната струя.

6.4 Електрическо свързване

 **Предупреждение – опасност!**
Проверете дали напрежението и честотата (V-Hz) на електрозахранването съответстват на посочените на идентификационната табелка (фиг. 2).

6.4.1 Използване на удължителни кабели
Използвайте кабели и щепсели с ниво на защита „IPX5“. Сечението на удължителния кабел трябва да бъде пропорционално на неговата дължина: колкото по-дълъг е кабелът, толкова по-голямо трябва да бъде сечението. Вижте таблица 1.

6.5 Свързване с водопровода

 **Предупреждение – опасност!**
Уредът трябва да се захранва само с чиста или филтрирана вода. Дебитът на входния кран за водата трябва да бъде равен на дебита на помпата.

Поставете уреда възможно най-близо до системата за снабдяване с вода.

- 6.5.1 Точки на свързване**
 - Изход за вода (OUTLET)
 - Вход за вода с филтър (INLET)
- 6.5.2 Свързване с водоснабдителната мрежа**
Съгласно действащите разпоредби уредът може да се свързва с водоснабдителната мрежа за питейна вода само ако захранващият маркуч има вентил за предотвратяване на противотока. Маркучът трябва да бъде най-малко Ø 13 mm, армиран и не по-дълъг от 25 m.
- 6.5.3 Поемане на вода от отворени съдове**
 - 1) Завийте входния маркуч с филтър към входа за водата (INLET) и го потопете до дъното на съда.
 - 2) Изпуснете въздуха от уреда:
 - a) Развийте удължителната тръба.
 - b) Включете уреда и задръжте пистолета отворен, докато започне да излиза вода без въздушни мехурчета.
 - 3) Изключете уреда и завийте отново удължителната тръба.

ВАЖНО: максималната височина на поемане на водата е 0,5 m. Смукателният маркуч трябва да бъде запълнен преди употреба.

7 РЕГУЛИРАНЕ (ФИГ. 3)/СТРАНИЦА 5

- 7.1 Регулиране на пръскащата доза** (на моделите, които имат) Дебитът на водата се регулира с дозата (E).
- 7.2 Регулиране на почистващия препарат**
За да се подава почистващ препарат с подходящото налягане, поставете дозата (E) (където има) в положение „■“ или монтирайте комплекта за почистващ препарат (C13) (където има), както е показано.
Количеството на подавания почистващ препарат се регулира с регулатора (F).
- 7.3 Регулиране на работното налягане** (на моделите, които имат такава функция)
Регулаторът (G) се използва за регулиране на работното налягане. Налягането се отчита на манометъра (където има).

8 ИНФОРМАЦИЯ ЗА ИЗПОЛЗВАНЕТО НА УРЕДА (ФИГ. 4)/СТРАНИЦА 5**8.1 Органи за управление**

- Пусково устройство (H).

Поставете пусковия превключвател в положение (ON/I) за:

- a) стартиране на двигателя (за моделите без устройство TSS);
- б) подготовка на двигателя за пуск (за моделите с устройство TSS).

Ако на пусковото устройство има светлинен индикатор, той трябва да светне. Поставете превключвателя на пусковото устройство в положение (OFF/O), за да спрете уреда.

Ако на пусковото устройство има светлинен индикатор, той трябва да изгасне.

- Лост за управление на водната струя (I).

**Предупреждение – опасност!**

По време на работа уредът трябва да бъде разположен, както е показано на фиг. 4, на твърда и стабилна повърхност.

8.2 Пуск (вижте фиг. 4)

- 1) Отворете докрай крана на водопровода.
- 2) Освободете осигурителя (D).
- 3) Натиснете спусъка на пистолета за няколко секунди и включете уреда с пусковото устройство (ON/I).

**Предупреждение – опасност!**

Преди да включите уреда, проверете дали водата постъпва нормално; използването на уреда без вода ще го повреди. Не покривайте вентилационните решетки, когато уредът се използва.

Модели с TSS – при моделите с TSS и система за автоматично спиране на подавания поток:

- когато спусъкът на пистолета бъде **пуснат**, динамичното налягане автоматично спира двигателя;
- когато спусъкът на пистолета бъде **натиснат**, автоматичното понижаване на налягането стартира двигателя и налягането се възстановява след много малко забавяне;
- за да функционира изправно TSS, между всеки две операции за **пускане** и **натискане** на спусъка на пистолета трябва да има интервал от **поне 4-5 секунди**.

За да не се повреди уредът, не допускате да работи на сухо и проверявайте дали се захранва нормално с вода.

При моделите без TSS, за да не се повреди уредът поради повишаване на температурата на водата, не спирайте водната струя за повече от 5 минути, докато уредът работи.

8.3 Спиране

- 1) Поставете превключвателя на пусковото устройство в положение (OFF/O).
- 2) Натиснете спусъка на пистолета и изпуснете остатъчното налягане в тръбите.
- 3) Поставете осигурителя (D).

8.4 Рестартиране

- 1) Освободете осигурителя (D).
- 2) Натиснете спусъка на пистолета и изпуснете остатъчния въздух в тръбите.
- 3) Поставете пусковото устройство в положение (ON/I).

8.5 Съхранение

- 1) Затворете крана на водопровода.
- 2) Изпуснете остатъчното налягане от пистолета, докато цялата вода изтече от уреда.
- 3) Изключете уреда (OFF/O).
- 4) Извадете щепсела от контакта.
- 5) Изчиствайте и измивайте резервоара за почистващ препарат в края на работната смяна. За да измиете резервоара, използвайте чиста вода, а не препаратата.
- 6) Поставете осигурителя на пистолета (D).

8.6 Зареждане и използване на почистващ препарат

Почистващият препарат трябва да се подава с аксесоарите по процедурите, описани в точка 7.3.

Използването на маркуч за високо налягане, който е по-дълъг от оригиналния доставен с уреда, или на допълнителен удължител за маркуча може да намали или напълно да спре поемането на почистващ препарат. Заредете резервоара (B6) със силно биоразградим почистващ препарат.

8.7 Препоръчителна процедура за почистване

Разтворете замърсяванията с нанасяне на смесения с вода почистващ препарат върху повърхността, докато е още суха.

Когато работите с вертикални повърхности, работете отдолу-нагоре. Оставете почистващия препарат да действа 1-2 минути, но не оставайте повърхността да изсъхне. Като започнете отдолу, използвайте струята с високо налягане на минимално разстояние 30 cm. Не оставайте водата да изплаква да протече върху немити повърхности.

В някои случаи замърсяванията трябва да се изтръкат с четки.

Високото налягане не винаги е най-подходящото решение за добро почистване, тъй като може да повреди някои повърхности. Настройката за най-фина струя на регулируемата доза или въртящата се доза не трябва да се използват за чувствителни или бодисани части, както и за компоненти под налягане (напр. гуми, вентили за напompване и пр.). Ефективното почистване зависи в една и съща степен от налягането и от обема на използваната вода.

9 ТЕХНИЧЕСКО ОБСЛУЖВАНЕ (ФИГ. 5)/СТРАНИЦА 6

Всички операции за техническо обслужване, които не са включени в тази глава, трябва да се извършват от упълномощен търговски и сервизен център.

**Предупреждение – опасност!**

Винаги изключвайте щепсела от контакта, преди да работите по уреда.

9.1 Почистване на дозата

- 1) Разкачете удължителната тръба от дозата.
- 2) Почистете всички наслоени замърсявания от отвора на дюзата с инструмента (C1).

9.2 Почистване на филтъра

Проверете входния филтър (L) и филтъра за почистващ препарат (ако има) преди всяка употреба и ги почистете съгласно указанията, ако е необходимо.

9.3 Разблокиране на двигателя (на моделите, които имат такава функция)

При продължителни престои наслояванията на котлен камък може да блокират двигателя. За да разблокирате двигателя, въртете двигателния вал с инструмент (M).

9.4 Зареждане на масло (на моделите, които имат такава функция)

Доплейте масло през входящия отвор, за да възстановите подходящото ниво.

За характеристиките на маслото вижте таблицата „Технически данни“. Маслото трябва да се сменя на всеки 500 часа работа.

9.5 Съхранение след края на сезона

Заредете уреда с неразяждащ и неогровен антифриз, преди да го зазимявате.

Поставете уреда на сухо място, защитено от замръзване.

10 СЪХРАНЕНИЕ И ТРАНСПОРТИРАНЕ (ФИГ. 5)/СТРАНИЦА 6

Съхранявайте аксесоарите, както е показано на фиг. 5.

Транспортирайте машината, както е показано на фиг. 5.

Проблем	Вероятни причини	Отстраняване
Помпата не достига работно налягане	Износена дюза	Сменете дюзата
	Запушен воден филтър	Почистете филтъра (L) (фиг. 5)
	Недостатъчно подаване на вода	Отворете докрай крана на водопровода
	Системата засмуква въздух	Проверете дали фитингите на маркучките са затегнати добре
	Въздух в помпата	Изключете уреда и продължавайте да натискате и пускате спусъка на пистолета, докато водата започне да излиза с равномерен поток. Включете отново уреда.
	Регулируемата дюза не е разположена правилно	Поставете дюзата (E) на настройката (+) (фиг. 3)
Налягането на помпата внезапно пада по време на работа	Задействал се е вентилът на термостата	Изчакайте да се възстанови подходящата температура на водата
	Водата се поема от отворен съд от височина, по-голяма от 0,5 m.	Намалете височината на поемане на водата.
	Водата се поема от външен резервоар	Свържете уреда с водоснабдителната мрежа
	Входящата вода е твърде гореща	Намалете температурата
Двигателят „бръмчи“, но не стартира	Дюзата е запушена	Почистете дюзата (фиг. 5)
	Входният филтър (L) е запушен	Почистете филтъра (L) (фиг. 5)
	Захранващото напрежение е много ниско	Проверете дали напрежението на мрежовото захранване е същото като посоченото на табелката (фиг. 2)
	Напрежението пада поради използване на удължителен кабел	Проверете характеристиките на удължителния кабел
Двигателят не стартира	Уредът не е бил използван продължително време	Обърнете се към най-близкия упълномощен сервизен център
	Проблеми с устройство TSS	Обърнете се към най-близкия упълномощен сервизен център
	Няма електрозахранване	Проверете дали щепселът е влязъл добре в контакта и дали има напрежение в мрежата (*)
Течове на вода	Проблеми с устройство TSS	Обърнете се към най-близкия упълномощен сервизен център
	Уредът не е бил използван продължително време	С помощта на инструмента (M) разблокирайте двигателя през отвора отзад на уреда (при моделите, които имат такава функция) (фиг. 5)
Уредът работи шумно	Износени уплътнения	Поръчайте смяна на уплътненията в най-близкия упълномощен сервизен център
Течове на масло	Защитният вентил се е задействал и изпуска	Обърнете се към упълномощен сервизен център
	Водата е много гореща	Намалете температурата (вижте техническите данни)
Самостоятелно замяне на TSS: уредът се включва дори при пуснат спусък на пистолета	Износени уплътнения	Обърнете се към най-близкия упълномощен сервизен център
Самостоятелно замяне на TSS: не излиза вода, когато спусъкът на пистолета бъде натиснат (а маркучът за подаване на вода е свързан)	Разгерметизиране на системата за високо налягане или контура на помпата	Обърнете се към най-близкия упълномощен сервизен център
Уредът не поема почистващ препарат	Дюзата е запушена	Почистете дюзата (фиг. 5)
	Регулируемата дюза е на настройката за високо налягане	Поставете дюзата (E) на настройка „■“ (фиг. 3)
	Почистващият препарат е много гъст	Разредете с вода
	Използва се удължител за маркуча за високо налягане	Монтирайте оригиналния маркуч
От вентила на термостата излиза вода	Наслоявания или запушване в контура за почистващия препарат	Промийте с чиста вода и отстранете всички запушвания. Ако проблемът продължи, се обърнете към упълномощен сервизен център
	Температурата на водата вътре в дюзата е превишила максималната номинална стойност, посочена на идентификационната табелка	Докаато уредът работи, не спирайте водната струя за повече от 5 минути на едно спиране

(*) Ако двигателят спре и не може да се рестартира по време на работа, изчакайте 2-3 минути, преди да повтаряте пусковата процедура (задействал се е изключателят при претоварване).

Ако проблемът възникне повече от веднъж, се обърнете към най-близкия упълномощен сервизен център.



12 КАК СЕ ИЗБЯГВА УВРЕЖДАНЕТО НА ПОВЪРХНОСТИ**ПРЕДУПРЕЖДЕНИЕ**

- 12.1 Използването на уреда за миене на гуми може да повреди гумата и може да бъде опасно.
 12.2 Никога не насочвайте струята с високо налягане директно към гумата.
 12.3 Винаги използвайте уреда на най-ниската настройка за налягането, когато почиствате в близост до джанти и гуми.
 12.4 Никога не използвайте удължителната тръба „Турбо“ за миене на автомобилни части.
 12.5 За повече информация вижте раздел: „8.7 Препоръчителна процедура за почистване“.

**Декларация за съответствие за ЕО**

Име, Anнови Reverberi S.p.A, декларираме, че следната машина или машини De Walt:

Наименование на машината	Водоструйна машина			
Модел №	DXPW 004 E	DXPW 005 E	DXPW 006 E	DXPW 007 E
Номинална мощност	3 кВт	5 кВт	5 кВт	7,4 кВт

съответстват на следните европейски Директиви: 2006/42/ЕО, 2014/35/ЕС, 2011/65/ЕС, 2015/863/ЕС, 2012/19/ЕС, 2014/30/ЕС и 2000/14/ЕО

и са изработени в съответствие със следните стандарти: EN 60335-1; EN 60335-2-79; EN 55014-1; EN 55014-2; EN 61000-3-2; EN 61000-3-3; EN 61000-3-11; EN 60704-1; EN 62233; EN IEC 63000

Име и адрес на лицето, упълномощено да издава техническото досие: Стефано Ревърбери (управляващ директор на AR)

Via ML King, 3-41122 Модена, Италия

Процедурата за оценка на съответствието, изисквана по Директива 2000/14/ЕО, е изпълнена съгласно Приложение V

Модел №	DXPW 004 E	DXPW 005 E	DXPW 006 E	DXPW 007 E
Измерено ниво на звукова мощност:	93,5 дБ(А)	93,9 дБ(А)	93,9 дБ(А)	94,4 дБ(А)
Гарантирано ниво на звукова мощност:	96 дБ(А)	96 дБ(А)	96 дБ(А)	97 дБ(А)

Дата: 04.03.2022 г.

МОДЕНА (I)

Стефано Ревърбери


Управляващ директор

Гаранция

Валидността на гаранцията е в съответствие с действащото законодателство в страната, където изделието се продава (ако не е посочено друго от производителя).

Гаранцията включва дефекти в материалите, конструкцията и съответствието в рамките на гаранционния срок, през който производителят ще смени дефектните части и ще ремонтира изделието, ако не е твърде износено, или ще го смени.

Гаранцията не включва компоненти, които търпят нормално износване (вентил, бутало, водна гарнитура, маслена гарнитура, пружини, О-пръстени, аксесоари от рода на маркуча, пистолета, четките, колелата и др.);

Гаранцията не включва дефекти, причинени или възникнали от:

- Неправилна употреба, злоупотреба, небрежност,
- отдаване под наем или професионална употреба, ако изделието е продадено за домашна употреба,
- неспазване на дадените в това ръководство указания за техническо обслужване,
- ремонт от неупълномощен персонал или центрове,
- използване на неоригинални части или аксесоари,
- повреда, причинена от транспортиране, замърсяване или чужди тела, злополуки,
- проблеми в съхранението или складирането.

За получаване на гаранционно обслужване трябва да бъде представен документ за покупка.

За съдействие, Страница: 285.

Технически данни

Технически данни	Единица	DXPW 004 E	DXPW 005 E	DXPW 006 E	DXPW 007 E
Дебит	л/мин	10	13,5	15	14
Максимален дебит	л/мин	-	-	-	-
Налягане	МПа	12	18	15	21
Максимално налягане	МПа	15	20	17	23
Мощност	кВт	3	5	5	7,4
Максимално входно температура	°С	60	60	60	60
Максимално входно налягане	МПа	1	1	1	1
Сила на отблъскване на пистолета при максимално налягане	Н	24,30	40,10	40,70	44,90
Тип на маслото за помпата	кг	-	-	-	-
Клас на защита	-	/⊕	/⊕	/⊕	/⊕
Изолация на двигателя	Клас	F	F	F	F
Защита на двигателя	-	IPX5	IPX5	IPX5	IPX5
Напрежение	В/Гц	230/50 1~	400/50 3~	400/50 3~	400/50 3~
Максимално допустим импеданс на електрическата система	Ω	-	-	-	-
Ниво на звуково налягане L_{pA} (EN 60704-1) (K = 2,5 дБ (A))	дБ (A)	82,1	82,5	82,5	83
Ниво на звукова мощност L_{WA} (EN 60704-1) (K = 2,5 дБ (A))	дБ (A)	96	96	96	97
Вибрации на уреда (K = 1 м/с ²):	м/с ²	<2,5	<2,5	<2,5	<2,5
Тегло	кг	38	40	40	64

Подлежат на технически изменения!

1 BEZPEČNOSTNÍ POKYNY

1.1 Přístroj, který jste si zakoupili, je technologicky vespělý produkt navržený předním evropským výrobcem vysokotlakých čističů. Chcete-li, aby byl váš přístroj maximálně výkonný, přečtěte si pozorně tuto příručku a při jeho používání vždy postupujte podle pokynů v ní uvedených. Při připojování, používání a údržbě zařízení je třeba zajistit vlastní bezpečnost i bezpečnost osob, které se nacházejí v bezprostřední blízkosti. Pečlivě si přečtěte bezpečnostní pokyny a vždy se jimi řiďte. Pokud je nebudete dodržovat, můžete ohrozit zdraví a bezpečnost anebo způsobit rozsáhlé škody.

2 BEZPEČNOSTNÍ NÁPISY

2.1 Dodržujte pokyny, uváděné pomocí bezpečnostních nápisů a symbolů umístěných na přístroji a v tomto návodu.

Tento přístroj a návod uvádějí pouze symboly, které souvisí s vámi zakoupeným modelem. Zkontrolujte, zda jsou symboly a nápisy uvedené na přístroji kompletní a čitelné. V opačném případě umístěte na jejich místo náhradní symboly a nápisy.

 Varování – Upozornění – Nebezpečí

  Před použitím si pozorně přečtěte tento návod.

 Symbol E2 (pokud je tento symbol uveden v návodu) – označuje, že je přístroj určen pro odborné použití, tj. pro zkušené pracovníky, kteří jsou obeznámeni s příslušnými technickými, regulačními a legislativními faktory a jsou způsobilí přístroj používat a udržovat. Tento přístroj není určen pro děti, osoby s omezenými fyzickými, smyslovými či mentálními schopnostmi nebo s nedostatečnými zkušenostmi a znalostmi.

 Pohyblivé části. Nedotýkat se.



0 Poloha vypínače „vypnuto“

I Poloha vypínače „zapnuto“



Garantovaná hladina akustického výkonu



Symbol zákazu informuje uživatele, že místní předpisy mohou zakazovat připojení přístroje k vodovodnímu systému pitné vody.



Symbol nebezpečí varuje uživatele, aby nemířil vodním paprskem na osoby, zvířata, elektrická zařízení, ani na vlastní přístroj.



Tento produkt se řadí do I. třídy ochrany. To znamená, že je vybaven uzemňovací svorkou (pouze pokud je tento symbol umístěn na přístroji).

CE Výrobek splňuje příslušné evropské směrnice.



Symbol E1 – označuje, že přístroj **nelze zlikvidovat** jako komunální odpad, ale může být při koupi nového přístroje předán prodejci. Elektrické a elektronické díly přístroje nesmí být znovu používány pro jiné účely, než pro jaké byly určeny, protože obsahují látky, které představují zdravotní riziko.



Používejte ochranu sluchu.



Používejte ochrannou masku.



Používejte ochranu dýchání.



Používejte ochranné brýle.



Používejte ochrannou pracovní obuv.



Používejte ochranný pracovní oděv.



3 BEZPEČNOSTNÍ POKYNY/OSTATNÍ RIZIKA

3.1 ZAKÁZANÉ ČINNOSTI Z HLEDISKA BEZPEČNOSTI

- 3.1.1 **VAROVÁNÍ.** NEDOVOLTE dětem používat přístroj. Mějte je pod dohledem, aby si nemohly s přístrojem hrát.
- 3.1.2 **VAROVÁNÍ.** Vysokotlaké trysky mohou být při nesprávném používání nebezpečné.
- 3.1.3 **VAROVÁNÍ. PŘÍSTROJ NEPOUŽÍVEJTE** spolu s hořlavými nebo toxickými kapalinami ani s produkty, jejichž používání je neslučitelné s řádným způsobem použití. Přístroj nesmí být používán v potenciálně hořlavém nebo výbušném prostředí.
- 3.1.4 **VAROVÁNÍ. RIZIKO VÝBUCHU. PŘÍSTROJ NEPOUŽÍVEJTE** k rozstříkování hořlavých tekutin.
- 3.1.5 **VAROVÁNÍ. VODNÍM PAPSKEM NEMIŘTE** na osoby ani zvířata.
- 3.1.6 **VAROVÁNÍ. VODNÍM PAPSKEM NEMIŘTE** na samotný přístroj, elektrické části ani jiná elektrická zařízení.
- 3.1.7 **VAROVÁNÍ. PŘÍSTROJ NEPOUŽÍVEJTE**, pokud se v jeho bezprostředním dosahu nacházejí další osoby, které na sobě nemají ochranný oděv.
- 3.1.8 **VAROVÁNÍ. NEMIŘTE** vodním paprskem na oděv ani obuv, pokud je máte na sobě, popř. je má na sobě jiná osoba.
- 3.1.9 **VAROVÁNÍ. PŘÍSTROJ NEPOUŽÍVEJTE** venku v dešti.
- 3.1.10 **VAROVÁNÍ. NEDOVOLTE**, aby přístroj používaly děti, neoprávněné osoby nebo osoby, které si nepřčetly a nepochopily pokyny k jeho používání.
- 3.1.11 **VAROVÁNÍ. MOKRÝMA RUKAMA SE NEDOTÝKEJTE** zástrčky a/nebo zásuvky.
- 3.1.12 **VAROVÁNÍ. PŘÍSTROJ NEPOUŽÍVEJTE**, pokud má poškozený elektrický kabel. Pokud je elektrický kabel poškozen, musí být vyměněn výrobcem, nebo autorizovaným servisem nebo obdobně kvalifikovanou osobou, abyste se tak vyvarovali bezpečnostnímu riziku.
- 3.1.13 **VAROVÁNÍ. PŘÍSTROJ NEPOUŽÍVEJTE**, pokud je poškozen přívodní kabel nebo důležité části, jako například bezpečnostní zařízení, vysokotlaké hadice nebo pistole.
- 3.1.14 **VAROVÁNÍ. NEBLOKUJTE** spoušť pistole v pracovní poloze.
- 3.1.15 **VAROVÁNÍ.** Zkontrolujte, zda je k přístroji připojen typový štítek. Pokud není, informujte svého prodejce. Přístroje neopatřené typovým štítkem NESMÍ být používány, protože je není možné identifikovat, a jsou proto potenciálně nebezpečné.
- 3.1.16 **VAROVÁNÍ. NEMANIPULUJTE** ani neměňte nastavení pojistného ventilu či bezpečnostních zařízení.
- 3.1.17 **VAROVÁNÍ. NEMĚNTE** původní průměr hlavové rozstříkovací trysky.
- 3.1.18 **VAROVÁNÍ. NEPŘESOUVEJTE** přístroj tažením za ELEKTRICKÝ KABEL.



- 3.1.19 VAROVÁNÍ.** Zajistěte, aby vozidla nepřejížděla přes vysokotlaké hadice.
- 3.1.20 VAROVÁNÍ.** NEPŘEMÍSTUJTE přístroj tahem za vysokotlakou hadici.
- 3.1.21 VAROVÁNÍ.** Vodní paprsek nesmí dopadat přímo na pneumatiky, ventily pneumatik ani jiné díly, které jsou pod tlakem, protože by je mohl poškodit. Nepoužívejte soupravu s rotační tryskou a při čištění neustále dodržujte vzdálenost min. 30 cm.
- 3.1.22 VAROVÁNÍ.** Použití neoriginálního příslušenství a jakýchkoliv jiných náhradních součástí, které nejsou určeny pro dotýčný model přístroje, je zakázáno. Všechny modifikace přístroje jsou zakázány. Jakékoliv změny provedené na zařízení povedou k tomu, že Prohlášení o shodě nebude platné a zprostí výrobce veškeré občanskoprávní i trestní odpovědnosti.

3.2 POVINNÉ ČINNOSTI Z HLEDISKA BEZPEČNOSTI

- 3.2.1 VAROVÁNÍ.** Všechny elektrické vodiče MUSÍ BÝT CHRÁNĚNY před proudem vody.
- 3.2.2 VAROVÁNÍ.** Elektrické zapojení musí provést kvalifikovaný elektrikář a musí splňovat normu IEC 60364-1. Musí být nainstalován buď proudový chránič, který přivedou přeruší, pokud svodový proud překročí 30 mA na dobu 30 ms, nebo ochranný uzemňovací obvod.
- 3.2.3 VAROVÁNÍ.** Zařízení může BĚHEM spouštění způsobit poruchu sítě.
- 3.2.4 VAROVÁNÍ.** Použití bezpečnostního jističe (RCB) zajistí zvýšenou ochranu operátora (30 mA).
- 3.2.5 VAROVÁNÍ.** Modely dodávané bez zátky musí instalovat kvalifikovaní pracovníci.
- 3.2.6 VAROVÁNÍ.** Používejte pouze schválený prodlužovací kabel s odpovídajícím průřezem vodičů.
- 3.2.7 VAROVÁNÍ.** Pokud ponecháte přístroj bez dozoru, vždy jej vypněte.
- 3.2.8**      
VAROVÁNÍ. Vysoký tlak může vymrstit některé součásti: používejte ochranný oděv a vybavení (OOPP), které zajistí bezpečnost obsluhujícího pracovníka.
- 3.2.9 VAROVÁNÍ.** Před tím, než začnete provádět na zařízení jakoukoli práci, vytáhněte síťovou zástrčku ze zásuvky.
- 3.2.10 VAROVÁNÍ.** Před stisknutím spouště UCHOpte PEVNĚ stříkací pistoli tak, abyste vyrovnali zpětný ráz.
- 3.2.11 VAROVÁNÍ.** DODRŽUJTE předpisy místního rozvodného vodárenského závodu. Podle normy IEC 60335-2-79 může být přístroj připojen k vodovodní síti pitné vody pouze v případě, že je na přívodní hadici instalován zpětný ventil s vypouštěním v souladu s normou EN 12729 typ BA. Zpětný ventil lze objednat u výrobce.



- 3.2.12 VAROVÁNÍ.** Voda, která protekla zpětnými ventily, není považována za pitnou.
- 3.2.13 VAROVÁNÍ.** Údržba a/nebo opravy elektrických součástí MUSÍ BÝT PROVÁDĚNY pouze kvalifikovaným personálem.
- 3.2.14 VAROVÁNÍ.** Před odpojením hadice od přístroje VYPUSŤTE zbytkový tlak.
- 3.2.15 VAROVÁNÍ.** Pravidelně a také vždy před použitím přístroje ZKONTROLUJTE, zda jsou šrouby dokonale dotaženy a přístroj nemá žádné poškozené nebo opotřebené součásti.
- 3.2.16 VAROVÁNÍ.** POUŽÍVEJTE POUZE takové čisticí prostředky, které nezpůsobují korozi povlakových materiálů vysokotlaké hadice/elektrického kabelu.
- 3.2.17 VAROVÁNÍ.** ZAJISTĚTE, aby veškeré ostatní osoby a zvířata byla v minimální vzdálenosti 15 m od přístroje.
- 3.2.18 VAROVÁNÍ.** Tento přístroj byl navržen pro čisticí přípravek, který výrobce dodává nebo doporučuje. Používání jiných čisticích prostředků nebo chemických přípravků může nepříznivě ovlivnit bezpečnost přístroje.
- 3.2.19 VAROVÁNÍ.** Nedovolte, aby se čisticí prostředek dostal do kontaktu s pokožkou a obzvláště očima! Pokud by došlo k vniknutí čisticího prostředku do očí, vypláchněte je větším množstvím vody a ihned vyhledejte lékařskou pomoc!
- 3.2.20 VAROVÁNÍ.** Vysokotlaké hadice, spojovací díly a spojky mají zásadní význam pro bezpečnost přístroje. Používejte pouze hadice, spojovací díly a spojky doporučené výrobcem.
- 3.2.21 VAROVÁNÍ.** Používejte výhradně originální díly nebo díly schválené výrobcem, které zaručují bezpečnou obsluhu přístroje.
- 3.2.22 VAROVÁNÍ.** Pokud je použit prodlužovací kabel, musí být zástrčka a zásuvka vodotěsné konstrukce.
- 3.2.23 VAROVÁNÍ.** Nevhodné prodlužovací kabely mohou být nebezpečné. Jestliže používáte prodlužovací šňůru, musí být určena k venkovnímu použití. Zásuvku se zapojenou vidlicí je třeba položit na suché místo a nesmí se dotýkat země. K tomuto účelu důrazně doporučujeme použít naviják, který zajistí, že zásuvka se nachází nejméně 60 mm nad zemí.
- 3.2.24 VAROVÁNÍ.** Než budete přístroj montovat, čistit, nastavovat, udržovat, skladovat nebo přepravovat, vypněte jej a odpojte od zdroje elektrické energie.
- 3.2.25 VAROVÁNÍ.** Než přístroj zapnete, umístěte soupravu s trubkovou tryskou směrem dolů k červenému znaku.



4 VŠEOBECNÉ INFORMACE (OBR. 1)/STRANA 3

4.1 Používání návodu

Návod tvoří nedílnou součást přístroje, uložte si jej proto pro budoucí použití. Před instalováním/použitím přístroje si návod pečlivě přečtěte. Při prodeji musí prodávající předat tento návod novému vlastníkovi spolu s přístrojem.

4.2 Dodání

Tento přístroj je dodáván částečně smontovaný v kartonové krabici. Dodaný balíček je vyobrazen na obr. 1.

4.2.1 Dokumentace dodávané spolu s přístrojem

- A1 Návod k použití a údržbě
- A2 Bezpečnostní pokyny
- A3 Prohlášení o shodě
- A4 Pravidla záruky

4.3 Odstranění balení

Balící materiál neznečišťuje životní prostředí. Musí být ale recyklován a zlikvidován v souladu s příslušnou legislativou platnou v zemi, kde bude používán.

5 TECHNICKÉ INFORMACE (OBR. 1)/STRANA 3

5.1 Předpokládané použití

Tento přístroj je určen pro domácí použití k čištění vozidel, strojů, lodí, zdiva atd. a k odstraňování odolných nečistot s použitím vody a biologicky odbouratelných chemických prostředků.

Motory vozidel lze mýt, pouze pokud je zajištěna likvidace odpadní vody v souladu s platnými předpisy.

- Teplota přiváděné vody: **viz informace na štítku přístroje.**

- Tlak přiváděné vody: **min. 0,1 MPa – max. 1 MPa.**

- Provozní okolní teplota: **nad 0°C.**

Přístroj vyhovuje normám IEC 60335-1 a IEC 60335-2-79.

5.2 Obsluha

Symbol zobrazený v obr. 1 představuje předpokládaného uživatele (odborníka nebo laika).

5.3 Hlavní komponenty

- B2 Pracovní nástavec
- B3 Pistole s bezpečnostní pojistkou
- B4 Elektrický kabel se zástrčkou (u modelů s tímto prvkem)
- B5 Vysokotlaká hadice
- B6 Nádrž na čisticí prostředek (u modelů s tímto prvkem)
- B7 Uzávěr oleje (u modelů s tímto prvkem)
- E Tryska
- F Regulátor mycího prostředku (u modelů s tímto prvkem)
- G Regulátor tlaku (u modelů s tímto prvkem)
- H Zařízení startéru
- L Vodní filtr

5.3.1 Příslušenství (pokud je součástí dodaného balíčku – viz obr. 1)

- | | |
|--|-------------------------------|
| C1 Čisticí tryška | C9 Adaptér |
| C2 Souprava rotační trysky | C10 Šrouby |
| C3 Držadlo | C11 Držáky |
| C4 Kartáč | C12 Páka |
| C5 Naviják na hadici | C13 Sada mycího prostředku |
| C6 Souprava se sací hadicí na vodu | C14 Kolečka |
| C7 Souprava s trubkovou tryskou | C15 Tuba s plastickým mazivem |
| C8 Souprava kartáčů na čištění velkých ploch kartáče | C16 Snímač tlaku |
| | C17 Adaptér |

5.4 Bezpečnostní zařízení

- Startér (H)

Startér zabráňuje nechtěnému spuštění přístroje.



Varování – nebezpečí!

Nemanimulujte ani neměňte nastavení pojistného ventilu.

- Bezpečnostní ventil a/nebo tlakový omezovací ventil.

Bezpečnostní ventil je zároveň tlakovým omezovacím ventilem. Jakmile uvolníte západku pistole, ventil se otevře a voda se vrací do sání čerpadla nebo je vypuštěna z přístroje.

- Termostatický ventil (D1 je-li namontován)

Pokud teplota vody překročí teplotu nastavenou výrobcem, termostatický ventil bude vypouštět horkou vodu a napouštět takový objem studené vody, který se rovná objemu vypuštěné vody, dokud není dosaženo správné teploty.

- Bezpečnostní pojistka (D): zabráňuje nechtěnému vystříknutí vody.

- Vypínač proti přetížení: zastaví přístroj, pokud dojde k přetížení.

6 SMONTOVÁNÍ (OBR. 2)/STRANA 4

6.1 Sestavení



Varování – nebezpečí!

Přístroj montujte a sestavuje, pouze pokud je přístroj odpojen od sítě.

Postup sestavování je vyobrazen na obr. 2.

6.2 Upevnění tlakového uzávěru (u modelů s tímto prvkem)

Přístroj je dodáván s přívodem oleje uzavřeným červeným uzávěrem, který je nutné nahradit tlakovým uzávěrem, aby nedocházelo k unikání oleje.

6.3 Upevnění rotační trysky

(U modelů s tímto prvkem)

Souprava s rotační tryskou dosahuje vyššího mycího výkonu.

Používání rotační trysky může způsobit pokles tlaku o 25 % ve srovnání s tlakem dosaženým s nastavitelnou tryskou. Souprava s rotační tryskou dosahuje vyššího mycího výkonu díky rotujícímu vodnímu paprsku.

6.4 Přípojení k sítí



Varování – nebezpečí!

Zkontrolujte, zda napájecí napětí a frekvence (V-Hz) odpovídají napětí a frekvenci uvedeným na štítku přístroje (obr. 2).

6.4.1 Používání prodlužovacích kabelů

Používejte kabely a zástrčky s úrovní ochrany IPX5.

Průřez prodlužovacího kabelu by měl být přiměřený jeho délce. Čím je delší, tím větší by měl průřez být. Viz tabulka 1.

6.5 Přípojka vody



Varování – nebezpečí!

K přístroji je možné připojit pouze čistou nebo filtrovanou vodu. Rychlost toku přívodní vody by měla odpovídat průtoku čerpadla.

Umístěte přístroj co možná nejlépe vedle vodovodní sítě.

6.5.1 Místa připojení

- Vypust vody (ODTOK)
- Přívod vody s filtrem (PŘÍVOD)

6.5.2 Připojení k vodovodní síti

Přístroj může být připojen přímo k vodovodní síti zdroje pitné vody, pouze pokud je přívodní hadice vybavena zpětnou klapkou ventilu v souladu s platnými předpisy. Průměr hadice musí být minimálně 13 mm, hadice musí být vyztužená a dlouhá ne více než 25 m.

6.5.3 Nasávání vody z otevřených nádrží

- 1) Přišroubujte přívodní hadici s filtrem k PŘÍVODU vody a vložte jej na dno nádrže.
- 2) Odvzdušněte přístroj:
 - a) Odšroubujte pracovní nástavec.
 - b) Spusťte přístroj a nechte z pistole unikat vodu, dokud nevyvypustíte všechny vzduchové bubliny.
- 3) Přístroj vypněte a opět našroubujte pracovní nástavec. Pozn.: maximální sací výška je 0,5 m. Před použitím musí být sací hadice naplněna.

7 NASTAVENÍ (OBR. 3)/STRANA 5

7.1 Nastavení rozstříkovací trysky (u modelů s tímto prvkem)

Průtok vody je regulován tryskou (E).

7.2 Nastavení čistícího prostředku

Aby byl čistící prostředek pod správným tlakem, nastavte trysku (E) (je-li namontována) na symbol "■" nebo upevníte soupravu s čistícím prostředkem (C13) (je-li k dispozici) zobrazeným způsobem. Množství aplikovaného čistícího prostředku se nastavuje pomocí regulátoru (F).

7.3 Nastavení pracovního tlaku (u modelů s tímto prvkem)

Regulátor (G) se používá k nastavování pracovního tlaku. Tlak je zobrazen na snímači tlaku (je-li namontován).

8 INFORMACE O POUŽÍVÁNÍ PŘÍSTROJE (OBR. 4)/STRANA 5**8.1 Ovládání**

- Zařízení startéru (H).

Nastavte spínač startéru na zapnuto (ON/I). Tím:

- motor spustíte (u modelů bez systému TSS);
- připravíte motor ke spuštění (u modelů se systémem TSS).

Pokud je na startéru kontrolka, měla by se rozsvítit.

Přístroj vypnete otočením spínače do pozice vypnuto (OFF/O).

Pokud je na startéru kontrolka, měla by zhasnout.

- Páka pro ovládání vodního paprsku (I).

**Varování – nebezpečí!**

Pokud je přístroj v provozu, musí být postaven tak, jak je zobrazeno v obr. 4, na pevné a stabilní ploše.

8.2 Spuštění (viz obr. 4)

- Vodovodní kohoutek otevřete naplno.
- Uvolněte bezpečnostní pojistku (D).
- Na několik vteřin stisknete západku pistole a pomocí startéru přístroj zapnete (ON/I).

**Varování – nebezpečí!**

Před spuštěním přístroje zkontrolujte dostatečný průvod vody; pokud budete použít přístroj bez vody, mohlo by dojít k jeho poškození. Pokud je přístroj v chodu, nezakrývejte ventilací mřížku.

Modely se systémem TSS – v modelech se systémem TSS s automatickým systémem odpojení přítoku:

- pokud západku pistole **uvolníte**, vysoký tlak automaticky vypne motor;
- pokud západku pistole **stisknete**, automatický pokles tlaku spustí motor a k obnovení tlaku dojde za malou chvíli;
- pokud má systém TSS správně fungovat, musí všechna **uvolnění a stisknutí** západky pistole proběhnout **alespoň s 4 až 5 vteřinovým odstupem**.

Aby nedošlo k poškození přístroje, nenechávejte jej v provozu bez vody a vždy kontrolujte, zda je do přístroje dodáváno dostatečné množství vody.

Aby nedošlo k poškození přístroje, u modelů bez systému TSS, následkem zvýšení teploty vody, nevypínejte paprsek vody v průběhu provozu přístroje na dobu delší než 5 minut.

8.3 Zastavení

- Otočte startér přístroje do pozice vypnuto (OFF/O).
- Stiskněte západku pistole a uvolněte přebytečný tlak uvnitř trubíc.
- Zasaňte bezpečnostní pojistku (D).

8.4 Opětovné zapnutí

- Uvolněte bezpečnostní pojistku (D).
- Stiskněte západku pistole a uvolněte přebytečný vzduch uvnitř trubíc.
- Otočte startér přístroje do pozice zapnuto (ON/I).

8.5 Uložení

- Vypněte kohoutek přívodu vody.
- Uvolněte přebytečný tlak z pistole, dokud z přístroje nepoteče jen voda.
- Přístroj vypněte (OFF/O).
- Vypojte zástrčku ze zásuvky.
- Po ukončení práce vypusťte čistící prostředek z nádrže a vypláchněte ji. Nádrž vyplachujte čistou vodou, nikoli čistícím prostředkem.
- Zasaňte bezpečnostní pojistku pistole (D).

8.6 Doplnění a používání čistícího prostředku

Čistící prostředek musí být aplikován pomocí příslušenství a postupem popsaným v bodě 7.3.

Pokud použijete vysokotlakou hadici, která je delší než hadice dodaná spolu s přístrojem, nebo použijete prodlužovací hadici, může dojít k omezení nebo zastavení nasávání čistícího prostředku. Doplněte do nádrže (B6) vysoce biologicky odbouratelný čistící prostředek.

8.7 Doporučený postup čištění

Nečistoty rozpustíte pomocí čistícího prostředku smíchaného s vodou, který nanesete na suchý povrch.

Pokud čistíte vertikální povrchy, postupujte zesponu směrem nahoru. Ponechte čistící prostředek působit 1 až 2 minuty, ale nenechte povrch oschnout. Začněte směrem zesponu a použijte vysokotlaký proud vody z minimální vzdálenosti 30 cm. Voda při oplachování nesmí stékat na povrchy, které se nemají mýt.

V některých případech je k odstranění nečistot zapotřebí použít drhnutí kartáčem.

Vysoký tlak nemusí vždy zajišťovat nejlepší výsledky čištění, protože může způsobit poškození některých povrchů. Nejjemnější nastavení nastavitelné rozstříkovací trysky nebo rotační trysky by se nemělo používat pro čištění citlivých nebo lakovaných součástí ani dílů, které jsou pod tlakem (např. pneumatiky, ventily atd.).

Účinnost čištění závisí ve stejné míře na tlaku i používaném množství vody.

9 ÚDRŽBA (OBR. 5)/STRANA 6

Veškerou údržbu, která není popsána v této kapitole, by měl provádět autorizovaný prodejce nebo servisní centrum.

**Varování – nebezpečí!**

Než začnete na přístroji provádět jakoukoli údržbu, vždy jej nejprv odpojte od sítě.

9.1 Čištění trysky

- Odpojte trysku z pracovního návěstve.
- Pomocí nástroje odstraňte z otvoru trysky veškeré nánosy špíny (C1).

9.2 Čištění filtru

Před každým použitím přístroje zkontrolujte sací filtr (L) a filtr čistícího prostředku (je-li namontován). Podle potřeby je vyčistěte podle návodu.

9.3 Uvolnění motoru (u modelů s tímto prvkem)

Pokud dochází ke zdlouhavému přerušování práce, může dojít k usazování vodního kamene, který způsobuje zaseknutí motoru. Motor uvolníte pootočením hnací hřídele pomocí nástroje (M).

9.4 Doplnění oleje (u modelů s tímto prvkem)

Olej doplňujte na správnou hladinu do příslušného otvoru. Informace o vlastnostech oleje naleznete v tabulce „Technická data“. Olej je třeba měnit po každých 500 hodinách provozu.

9.5 Uložení na konci sezóny

Před uložením přístroje před zimou jej spusťte s použitím nekorodující a netoxické nemrzoucí směsi, pomocí které přístroj propláchnete.

Přístroj uložte na suchém místě, na němž bude chráněn proti mrazu.

10 ULOŽENÍ A PŘEPRAVA (OBR. 5)/STRANA 6

Příslušenství uložte způsobem zobrazeným v obr. 5.

Příslušenství přepravujte způsobem zobrazeným v obr. 5.

12 JAK PŘEDEJÍT POŠKOZENÍ POVRCHU**VAROVÁNÍ**

- 12.1 Pokud tento přístroj použijete k mytí pneumatik, může dojít k jejich poškození, které může být nebezpečné.
- 12.2 V žádném případě nesměřujte vysokotlaký paprsek rovně na pneumatiku.
- 12.3 Při čištění v blízkosti kol a pneumatik vždy nastavte na přístroji nejnižší tlak.
- 12.4 Při čištění jakýchkoli částí vozidla nepoužívejte pracovní nástavec „Turbo“.
- 12.5 Další informace naleznete v části: „8.7 Doporučený postup čištění“.

**ES Prohlášení o shodě**

My, společnost Annovi Reverberi S.p.A, prohlašujeme, že následující přístroj(e) značky De Walt:

Označení přístroje	Vysokotlaký čistič			
Model č.	DXPW 004 E	DXPW 005 E	DXPW 006 E	DXPW 007 E
Jmenovitý výkon	3 kW	5 kW	5 kW	7,4 kW

odpovídá (odpovídají) následujícím evropským směrnicím:

2006/42/ES, 2014/35/EU, 2011/65/EU, 2015/863/EU, 2012/19/EU, 2014/30/EU a 2000/14/ES

a byl(y) vyroben(y) v souladu s následujícími normami nebo normalizačními dokumenty: EN 60335-1; EN 60335-2-79; EN 55014-1; EN 55014-2; EN 61000-3-2; EN 61000-3-3; EN 61000-3-11; EN 60704-1; EN 62233; EN IEC 63000

Jméno a adresa osoby určené k vydání technické dokumentace: Stefano Reverberi/AR Managing Director
Via ML King, 3 – 41122 Modena, Itálie

Posouzení shody požadované směrnicí 2000/14/ES bylo provedeno v souladu s přílohou V.

Model č.	DXPW 004 E	DXPW 005 E	DXPW 006 E	DXPW 007 E
Naměřená hladina akustického výkonu:	93,5 dB (A)	93,9 dB (A)	93,9 dB (A)	94,4 dB (A)
Garantovaná hladina akustického výkonu:	96 dB (A)	96 dB (A)	96 dB (A)	97 dB (A)

Datum: 04.03.2022

MODENA (I)

Stefano Reverberi

Managing Director

Záruka

Platnost záruky je v souladu s příslušnou legislativou země, ve které je produkt prodáván (pokud výrobce neuvádí něco jiného).

Záruka se vztahuje na materiály, konstrukci a nedodržení shody v záruční lhůtě, v průběhu které výrobce nahradí vadné části a opraví produkt, nebo jej celý vymění, pokud nebude nepřiměřeně opotřeben.

Tato záruka se nevztahuje na běžné opotřebené komponent (ventilu, pístu, vodního těsnění, olejového těsnění, pružin, O-kroužků a příslušenství, jako jsou hadice, pistole, kartáče, kolečka apod.);

Záruka se nevztahuje na vady, které byly způsobeny nebo se projevíly následkem následujících činností:

- nevhodné, nesprávné nebo nedbalé používání,
- pronajímání nebo profesionální použití, pokud je produkt určen pro domácí použití,
- nedodržování návodu k údržbě uvedeného v této příručce,
- opravy neoprávněnými technikami nebo servis,
- používání neoriginálních částí nebo příslušenství,
- škody způsobené přepravou, nečistotami, cizími tělesy nebo nehodami,
- problémy způsobené uložením nebo uskladněním.

Aby měl uživatel nárok na využití záruky, musí předložit doklad o nákupu.

Pokud potřebujete pomoc, Strana: 285.

Technická data

Technické údaje	Jednotka:	DXPW 004 E	DXPW 005 E	DXPW 006 E	DXPW 007 E
Průtok:	l/min	10	13,5	15	14
Maximální průtok	l/min	-	-	-	-
Tlak	MPa	12	18	15	21
Maximální tlak	MPa	15	20	17	23
Výkon	kW	3	5	5	7,4
Maximální vstupní teplotu	°C	60	60	60	60
Maximální vstupní tlak	MPa	1	1	1	1
Odpudivá síla pistole při maximálním tlaku	N	24,30	40,10	40,70	44,90
Typ čerpadlového oleje	kg	-	-	-	-
Třída ochrany	-	II/⊕	II/⊕	II/⊕	II/⊕
Izolace motoru	Třída	F	F	F	F
Ochrana motoru	-	IPX5	IPX5	IPX5	IPX5
Napětí	V/Hz	230/50 1~	400/50 3~	400/50 3~	400/50 3~
Maximální povolená impedance elektrického systému	Ω	-	-	-	-
Hladina akustického tlaku L_{pA} (EN 60704-1) (K = 2,5 dB(A))	dB (A)	82,1	82,5	82,5	83
Hladina akustického výkonu L_{wA} (EN 60704-1) (K = 2,5 dB(A))	dB (A)	96	96	96	97
Vibrace spotřebiče (K = 1 m/s ²):	m/s ²	<2,5	<2,5	<2,5	<2,5
Váha	kg	38	40	40	64

Možnost technických změn vyhrazena!

1 SIKKERHEDSREGLER

- 1.1** Denne maskine er et højteknologisk produkt fremstillet af en af Europas førende producenter af højtryksrensere. For at opnå optimalt udbytte har vi udarbejdet denne vejledning, som skal gennemblæses nøje og overholdes i forbindelse med brug. Iværksæt alle nødvendige foranstaltninger, så maskinen og personer i nærheden beskyttes i forbindelse med tilslutning, brug og vedligeholdelse af maskinen. Læs og overhold sikkerhedsforskrifterne omhyggeligt. Manglende overholdelse kan udgøre en fare for helbredet og sikkerheden eller medføre økonomiske tab.

2 INFORMATIONSSKILTE OG -SYMBOLER

- 2.1** Overhold oplysningerne på maskinens skilte og symboler samt i denne vejledning. Maskinen og vejledningen omfatter kun de symboler, som har relevans for den konkrete maskine. Kontrollér, at symbolerne og skiltene på maskinen altid er intakte og læselige. I modsat fald skal de udskiftes, og de nye skilte skal monteres på samme sted.

 Advarsel - fare

  Læs disse instruktioner omhyggeligt inden brug.

 Ikon E2 (hvis symbolet findes i fig. 1) - Maskinen er beregnet til professionel brug; dvs. den skal betjenes af personer, som har erfaring, teknisk og lovgivningsmæssigt kendskab samt er i stand til at udføre den nødvendige form for brug og vedligeholdelse af maskinen. Denne maskine må ikke betjenes af personer (herunder børn) med nedsatte fysiske, sansemæssige eller mentale evner eller manglende erfaring og kendskab til maskinen.

 Dele i bevægelse. Må ikke berøres.



0 Afbryder slukket

I Afbryder tændt



Garanteret lydeffektniveau

 Forbud, som gør brugeren opmærksom på, at den nationale lovgivning kan forbyde tilslutning af produktet til drikkevandsforsyningen.



Faresignal, som gør brugeren opmærksom på, at vandstrålen ikke må rettes mod personer, dyr, elektrisk udstyr eller selve maskinen.

 Dette produkt er i isoleringsklasse I. Dette indebærer, at maskinen er udstyret med en jordfejlsleder (kun hvis dette symbol findes på maskine).

CE Dette produkt opfylder kravene i de gældende EU-direktiver på området.



Ikon E1 - Højtryksrensere **må ikke** bortskaffes som almindeligt affald. Maskinen kan indleveres til forhandleren i forbindelse med køb af en ny højtryksrensere. Maskinens elektriske og elektroniske dele må ikke genbruges til ikke tilladte formål, idet de indeholder sundhedsskadelige stoffer.

 Benyt ørepropper.

 Benyt visir.

 Benyt åndedrætsværn.

 Benyt beskyttelseshandsker.

 Benyt sikkerhedssko.

 Benyt sikkerhedsbeklædning.



3 SIKKERHEDSFORSKRIFTER/RESTERENDE RISICI

3.1 FORSKRIFTER: FORBUD

- 3.1.1 **ADVARSEL:** Maskinen må ikke benyttes af børn. Hold opsyn med børnene, så de ikke benytter maskinen som legetøj.
- 3.1.2 **ADVARSEL:** Højtryksstrålerne kan udgøre en fare, hvis de ikke anvendes korrekt.
- 3.1.3 **ADVARSEL: BENYT IKKE** apparatet sammen med brandfarlige og giftige væsker eller med væsker, som hindrer korrekt funktion i apparatet. Det er forbudt at benytte apparatet i omgivelser med brand- og eksplosionsfare.
- 3.1.4 **ADVARSEL: EKSPLOSIONSFARE. MÅ IKKE** benyttes til brandfarlige væsker.
- 3.1.5 **ADVARSEL: RET IKKE** vandstrålen mod personer eller dyr.
- 3.1.6 **ADVARSEL: RET IKKE** vandstrålen mod maskinen, det elektriske udstyr eller mod andre elektriske maskiner.
- 3.1.7 **ADVARSEL: BRUG IKKE** maskinen, hvis personer uden beskyttelsesbeklædning opholder sig inden for dens arbejdsradius.
- 3.1.8 **ADVARSEL: RET IKKE** strålen mod dig selv eller andre for at rense beklædning eller fodtøj.
- 3.1.9 **ADVARSEL: BENYT IKKE** maskinen udendørs i regnvejr.
- 3.1.10 **ADVARSEL:** Maskinen må **IKKE** betjenes af børn, handicappede og personer, som ikke har læst og forstået disse oplysninger.
- 3.1.11 **ADVARSEL: BERØR IKKE** stikket og/eller stikkontakten med våde hænder.
- 3.1.12 **ADVARSEL: BENYT IKKE** maskine, hvis ledningen er beskadiget. Hvis ledningen er beskadiget, skal den udskiftes af producenten, af et autoriseret servicecenter eller af personer med tilsvarende kvalifikationer for at undgå farer med betydning for sikkerheden.
- 3.1.13 **ADVARSEL:** Benyt **IKKE** maskinen, hvis en forsyningsledning eller vigtige dele (såsom sikkerhedsanordninger, højtryksslanger, pistol) er beskadiget.
- 3.1.14 **ADVARSEL: LÅS IKKE** pistolens greb i positionen for funktion.
- 3.1.15 **ADVARSEL:** Kontrollér, at maskinen er udstyret med dataplade. Kontakt forhandleren, hvis skiltet mangler. Maskiner uden dataplade må **IKKE** benyttes, idet de er anonyme og kan udgøre en fare.
- 3.1.16 **ADVARSEL:** Sikkerhedsventilens og sikkerhedsanordningernes kalibrering må **IKKE** ændres.
- 3.1.17 **ADVARSEL:** Ændre ikke dysens originale diameter.
- 3.1.18 **ADVARSEL:** Flyt **IKKE** maskinen ved at trække i LEDNINGEN.



- 3.1.19 ADVARSEL:** Sørg for, at motorkøretøjer ikke kører hen over højtryksslagen.
- 3.1.20 ADVARSEL:** Flyt IKKE maskinen ved at trække i højtryksslagen.
- 3.1.21 ADVARSEL:** Hvis højtryksstrålen rettes mod dæk, dækventiler og andre dele under tryk, udgør den en potentiel fare. Undgå brug af kittet med den roterende dysse, og sørg for at holde dysen i en afstand på mindst 30 cm under rengøringen.
- 3.1.22 ADVARSEL:** Det er forbudt at benytte uoriginalt udstyr og udstyr, som ikke er beregnet specifikt til den pågældende model. Det er forbudt at ændre maskinen. Eventuelle ændringer medfører bortfald af konformitetserklæringen og fritager producenten for civil- og strafferetsligt ansvar.

3.2 FORSKRIFTER: PÅBUD

- 3.2.1 ADVARSEL:** Alle strømførende dele SKAL BESKYTTES mod vandstrålen.
- 3.2.2 ADVARSEL:** Den elektriske tilslutning skal udføres af en kvalificeret elektriker i overensstemmelse med standard IEC 60364-1. Det anbefales at montere en jordfejlsafbryder, som afbryder strømforsyningen til maskinen, hvis jordfejlsstrømmen overskrider 30 mA i 30 ms, eller en kontrolanordning i jordkredsløbet.
- 3.2.3 ADVARSEL:** Maskinen kan skabe spændingsforstyrrelser I FORBINDELSE MED start.
- 3.2.4 ADVARSEL:** Jordfejlsafbryderens funktion udgør en supplerende beskyttelse for personalet (30 mA).
- 3.2.5 ADVARSEL:** På modeller uden stik skal installationen udføres af kvalificeret personale.
- 3.2.6 ADVARSEL:** Brug kun autoriserede forlængerledninger med et passende tværsnit.
- 3.2.7 ADVARSEL:** Frakobl altid afbryderen, når maskinen efterlades uden opsyn.
- 3.2.8**      
ADVARSEL: Det høje tryk kan medføre udslyngning af dele. Benyt altid beskyttelsesbeklædning og personlige værnemidler (PV).
- 3.2.9 ADVARSEL:** FJERN stikket fra stikkontakten inden udførelse af arbejde på maskinen.
- 3.2.10 ADVARSEL:** HOLD FAST omkring pistolen, når der trækkes i grebet, idet der er fare for udslyngning.
- 3.2.11 ADVARSEL:** OVERHOLD forskrifterne fra den lokale vandforsyningsmyndighed. I henhold til standarden IEC 60335-2-79 må maskinen kun forbindes direkte til drikkevandsforsyningen, hvis der i forsyningsslangen installeres en ventil, der forhindrer tilbagestrømning og samtidigt muliggør dræning (type BA) jf. standarden EN 12729. Ventilen, der forhindrer tilbagestrømning, kan bestilles hos producenten.



- 3.2.12 ADVARSEL:** Vandet i ventilerne til forhindring af tilbagestrømning er ikke drikkevand.
- 3.2.13 ADVARSEL:** Vedligeholdelse og/eller reparation af de elektriske komponenter SKAL udføres af kvalificeret personale.
- 3.2.14 ADVARSEL:** UDLIGN resttrykket inden slangen kobles fra maskinen.
- 3.2.15 ADVARSEL:** KONTROLLÉR hver gang ingen brug og regelmæssigt fastspændingen af skruerne samt at maskinens komponenter er i god stand. Kontrollér, om der er slidte eller beskadigede dele.
- 3.2.16 ADVARSEL:** BENYT kun rengøringsmidler, der er egnede til højtryksslængens/ledningens beklædning.
- 3.2.17 ADVARSEL:** SØRG FOR, at personer og dyr opholder sig på min. 15 meters afstand.
- 3.2.18 ADVARSEL:** Denne maskine er projekteret til brug med de rengøringsmidler, der leveres eller anbefales af producenten. Brug af andre rengøringsmidler eller kemiske produkter kan øve negativ indflydelse på maskinens sikkerhed.
- 3.2.19 ADVARSEL:** Undgå, at rengøringsmidlet kommer i kontakt med huden - specielt øjnene! Skyl med rent vand og søg straks læge, hvis rengøringsmidlet kommer i øjnene.
- 3.2.20 ADVARSEL:** Højtryksslængerne, koblingerne og samlingerne har en vigtig sikkerhedsmæssig betydning for maskinen. Benyt udelukkende de højtryksslænger, koblinger og samlinger, som anbefales af producenten.
- 3.2.21 ADVARSEL:** Benyt udelukkende originale reservedele fra producenten eller reservedele, som er godkendt af producenten, for at garantere maskinens sikkerhed.
- 3.2.22 ADVARSEL:** Hvis der anvendes en forlængerledning, skal stikket og stikket være af vandtæt konstruktion.
- 3.2.23 ADVARSEL:** Uegnede forlængerledninger kan udgøre en fare. Vælg ved brug af en forlængerledning en type, der er egnet til udendørs brug, og kontrollér, at tilslutningen holdes tør og hævet over jorden. I den forbindelse anbefales det at benytte en kabeltromle, som holder stikket ca. 60 mm over jorden.
- 3.2.24 ADVARSEL:** Sluk maskinen og frakobl strømmen inden montering, rengøring, justering, vedligeholdelse, opbevaring og transport.
- 3.2.25 ADVARSEL:** Stik udstyret til rengøring af slænger ind til det røde hak, inden maskinen tændes.



4 GENERELLE OPLYSNINGER (FIG.1)/SIDE 3**4.1 Brug af vejledningen**

Denne vejledning udgør en vigtig del af maskinen og skal opbevares til senere brug. Læs vejledningen omhyggeligt inden installation og brug. Ved et eventuelt salg af højtryksrensere anbefales det også at udlevere vejledningen.

4.2 Levering

Maskinen leveres delvist afmonteret i en papemballage. Leveringens forskellige dele er vist i fig. 1.

4.2.1 Medfølgende dokumentation

- A1** Betjenings- og vedligeholdelsesvejledning
- A2** Sikkerhedsregler
- A3** konformitetserklæring
- A4** Garanti

4.3 Bortskaffelse af emballage

Emballagen er af genbrugsmateriale og bør bortskaffes i henhold til lokale regler herom.

5 TEKNISKE OPLYSNINGER (FIG.1)/SIDE 3**5.1 Tilsigtet anvendelse**

Maskinen er beregnet til særskilt brug til rengøring af køretøjer, maskiner, både, murværk osv. Maskinen benyttes til fjernelse af vanskeligt snavs ved hjælp af rent vand og biologisk nedbrydelige kemiske rengøringsmidler.

Motorøretøjs motorer må kun rengøres på steder, hvor det navede vand bortskaffes med overholdelse af kravene i de gældende standarder.

- Vandets indløbstemperatur: **se mærkedata på maskinen.**
- Vandets indløbstryk: **min. 0,1 MPa - maks. 1 MPa.**
- Omgivelsestemperatur ved drift: **over 0 °C.**

Maskinen opfylder kravene i standarderne IEC 60335-1 og IEC 60335-2-79.

5.2 Maskinens bruger

Vedrørende identifikation af de nødvendige kvalifikationer for maskinens bruger (professionel eller ikke-professionel) henvises til ikonet i fig. 1.

5.3 Hovedkomponenter

- B2** Lanse
- B3** Pistol med sikkerhedsgreb
- B4** Ledning med stik (afhængigt af model)
- B5** Højtrykslange
- B6** Beholder til rengøringsmiddel (afhængigt af model)
- B7** Oliedæksel (afhængigt af model)
- E** Dyse
- F** Regulator for rengøringsmiddel (afhængigt af model)
- G** Trykregulator (afhængigt af model)
- H** Startanordning
- L** Vandfilter

5.3.1 Tilbehør (hvis omfattet af leveringen - se fig. 1).

- | | |
|---|--------------------------------|
| C1 Værktøj til rengøring af strålespids | C9 Adapter |
| C2 Roterende dyse | C10 Beslag |
| C3 Håndtag | C11 Vægkonsoller |
| C4 Børste | C12 Greb |
| C5 Slangetromle | C13 Rengøringsanordning |
| C6 Vandfilter | C14 Hjul |
| C7 Udstyring til rengøring af slanger | C15 Tube med smørefedt |
| C8 Roterende børste til store overflader | C16 Manometeret |
| | C17 Adapter |

5.4 Sikkerhedsanordninger

- Startanordning (H)
Startanordningen hindrer utilsigtet brug af maskinen.

**Advarsel - fare!**

Sikkerhedsventilens kalibrering må ikke ændres.

- Sikkerheds- og/eller trykbegrænsningsventil.

Sikkerhedsventilen fungerer også som trykbegrænsningsventil.

Når pistolen lukkes, åbnes ventilen og vandet recirkuleres gennem pumpeindløbet, eller løber ud på jorden.

- Termostatventil (**D1** hvis monteret)
Hvis vandtemperaturen overskrider den temperatur, som er fastsat af producenten, bortleder termostatventilen det varme vand og indsuger en tilsvarende mængde koldt vand for at genetablere den korrekte temperatur.
- Sikkerhedsgreb (**D**): Hindrer utilsigtet tænding af vandstrålen.
- Motorsikring: Sikringen standser maskinen i tilfælde af overbelastning.

6 INSTALLATION (FIG. 2)/SIDE 4**6.1 Montering****Advarsel - fare!**

Maskinen skal være frakoblet i forbindelse med installation og montering.

Se fig. 2 vedrørende rækkefølgen i forbindelse med montering.

6.2 Montering af udluftningsproppen (afhængigt af model)

For at undgå olielækager er maskinens oliestuder ved levering lukket med røde propper, som skal udskiftes med de medfølgende udluftningspropper.

6.3 Montering af roterende dyse (afhængigt af model)

Vaskekraften øges, hvis man anvender kittet med den roterende dyse.

Brugen af den roterende dyse kan medføre et trykfald på 25 % i forhold til det tryk, som opnås ved hjælp af den justerbare strålespids. Vandstrålen roterende effekt gør det muligt at sprede en øget vaskekraft.

6.4 Tilslutning af strøm**Advarsel - fare!**

Kontrollér, at stikkontaktens netspænding og frekvens (V/Hz) svarer til angivelserne på datapladen (fig. 2).

6.4.1 Brug af forlængerledninger

Brug forlængerledninger og stik med beskyttelsesgrad IPX5.

Forlængerledningernes tværsnit skal være proportional med længden, dvs. jo længere forlængerledningerne er, jo større skal tværsnittet være. Se tabel I.

6.5 Tilslutning til vandforsyning**Advarsel - fare!**

Indsug kun filterret eller rent vand. Vandhanen skal mindst svare til pumpeens kapacitet.

Anbring maskinen så tæt som muligt på vandforsyningskilden.

6.5.1 Tilslutningsstudser

- Vandafledning (OUTLET)
- Vandindtag med filter (INLET)

6.5.2 Tilslutning til lokal vandforsyning

I henhold til de gældende standarder må maskinen kun forbindes direkte til drikkevandforsyningen, hvis der i forsyningslangens installeres en ventil, der forhindrer tilbagestrømning og samtidigt muliggør dræning. Kontrollér, at slangen er min. Ø 13 mm, at den er forstærket og at dens længde ikke overskrider 25 m.

6.5.3 Indsugning af vand fra åbne beholdere

- 1) Spænd sugeslangen med filteret fast på vandindtaget (INLET) og sænk den ned i bunden af beholderen.
 - 2) Udluft maskinen:
 - a) Løsn lansen.
 - b) Start maskinen og åbn pistolen, indtil der ikke længere er luftbobler i vandet, som strømmer ud.
 - 3) Sluk maskinen og fastspænd lansen.
- Bemærk Maks. sugehøjden er 0,5 m. Det anbefales at spæde sugeslangen inden brug.

7 JUSTERINGER (FIG. 3)/SIDE 5

- 7.1 Justering af dyse** (afhængigt af model)
Drej dysen (E) for at justere vandstrålen.
- 7.2 Justering af spredning af rengøringsmiddel**
For at sprede rengøringsmidlet ved det korrekte tryk skal dysen (E) (afhængigt af model) være indstillet i pos. "■": Alternativt er det muligt at montere rengøringsanordningen (C13) (afhængigt af model) som vist i figuren.
Drej på regulatoren (F) for at justere mængden af det spredte rengøringsmiddel.
- 7.3 Justering af arbejdsdruk** (hvis dette er muligt)
Drej regulatoren (G) for at justere arbejdstrykket. Trykket vises på manometeret (afhængigt af model).

8 OPLYSNINGER OM BRUG (FIG. 4)/SIDE 5**8.1 Kontroller**

- Startanordning (H).
- Indstil startanordningen i pos. (ON/I) for at:
 - a) starte motoren (på modeller uden TSS)
 - b) forberede motoren til start (på modeller med TSS).
- Hvis startanordningen er udstyret med kontrollampe, skal den tændes. Indstil startanordningen i pos. (O/OFF) for at afbryde maskinen.
- Hvis startanordningen er udstyret med kontrollampe, skal den slukkes.
- Styregreb for vandstråle (I).

**Advarsel - fare!**

Maskinen skal hvile på et robust og stabilt underlag i forbindelse med brug. Anbring maskinen som vist i fig. 4.

8.2 Start (se fig. 4)

- 1) Åbn vandhånden helt.
- 2) Udløs sikkerhedsgrebet (D).
- 3) Hold pistolen åben i et par sekunder og start maskinen ved hjælp af startanordningen (ON/I).

**Advarsel - fare!**

Før maskinen startes, skal det kontrolleres, at den forsynes korrekt med vand. Hvis man anvender maskinen uden vand, kan den beskadiges. Ventilationsristene må ikke tildækkes, når maskinen er i drift.

- Modeller med TSS - På modeller med TSS med automatisk afbrydelse af forsyningen:
- Når pistolen **lukkes**, afbrydes den elektriske motor automatisk af det dynamiske tryk.
 - Når pistolen **åbnes**, startes den elektriske motor automatisk af trykfaldet, og trykket genetableres herefter med en meget begrænset forsinkelse.
 - For at sikre en korrekt funktion i TSS anordningen må **lukning og åbning** af pistolen **kun** finde sted i intervaller på **min. 4-5 sekunder**.

For at undgå beskadigelse af maskinen må den ikke køre tør. Kontrollér, at maskinen konstant forsynes med vand. På modeller uden TSS: For at undgå beskadigelse af maskinen som følge af forøgelse af vandtemperaturen må vandstrålen må ikke afbrydes i mere end 5 minutter.

8.3 Afbrydelse

- 1) Indstil startanordningen i pos. (OFF/O).
- 2) Åbn pistolen og udlign trykket i slangerne.
- 3) Udløs sikkerhedsgrebet (D).

8.4 Genstart

- 1) Frakobl sikkerhedsgrebet (D).
- 2) Åbn pistolen og udlign trykket i slangerne.
- 3) Indstil startanordningen i pos. (ON/I).

8.5 Opbevaring

- 1) Luk for vandhånden.
- 2) Udlæs resttrykket i pistolen, indtil der ikke kommer mere vand ud af maskinen.
- 3) Sluk for maskinen (O/OFF).

4) Tag stikket ud af stikkontakten.

5) Tøm og afvask beholderen til rengøringsmiddel efter arbejdet.
Afvask beholderen ved at benytte rent vand i stedet for rengøringsmiddel.

6) Udløs sikkerhedsgrebet (D) i pistolen.

8.6 Påfyldning og brug af rengøringsmiddel
Rengøringsmidlet skal spredes med det tilbehør og i overensstemmelse med de fremgangsmåder, der er beskrevet i afsnit 7.3.

Brug af en længere højtryksslange end den slange, som blev leveret sammen med maskinen, eller brug af en forlængerslange kan reducere eller afbryde indsprøgnen af rengøringsmiddel fra beholderen (afhængigt af model) fuldstændigt.

Fyld beholderen (B6) med rengøringsmiddel med høj biologisk nedbrydelighed.

8.7 Anbefalet fremgangsmåde ved korrekt rensning

Opløs snavset ved at påføre rengøringsmiddel på den tørre overflade. På lodrette flader arbejder man nedefra og opefter. Lad rengøringsmidlet virke i 1-2 minutter, men lad ikke overfladen tørre ud. Anvend derefter højtryksstrålen, idet De holder dysen i en afstand på mindst 30 cm fra overfladen og arbejder nedefra og opefter. Lad ikke vandet løbe over overflader, der ikke er vasket.

I nogle tilfælde er det nødvendigt at benytte børsterne til afvaskning for at fjerne snavset.

Højt tryk er ikke altid den bedste løsning til sikring af en god afvaskning, idet det kan beskadige visse former for overflader. Det frarådes at benytte spidstrålen i den justerbare dyse og den roterende dyse på sarte og lakerede dele samt på dele under tryk (eksempelvis dæk, dækventiler osv.).

En god afvaskning afhænger i lige så høj grad af trykket og vandmængden.

9 VEDLIGEHOLDELSE (FIG. 5)/SIDE 6

De former for vedligeholdelse, som ikke er beskrevet i dette kapitel, skal udføres ved et autoriseret servicecenter.

**Advarsel - fare!**

Træk stikket ud af stikkontakten inden udførelse af indgreb i maskinen.

9.1 Rengøring af dyse

- 1) Tag lansen af pistolen.
- 2) Fjern eventuelt snavs fra hullet i dysen ved hjælp af værktøjet (C1).

9.2 Rengøring af filter

Kontrollér sugefilteret (L) og filteret til rengøringsmiddel (afhængigt af model) hver gang inden brug, og rengør eventuelt filterne som beskrevet.

9.3 Udløsning af motor (hvis dette er muligt)

I tilfælde af langvarige afbrydelser kan kalkaflejringer medføre blokering af motoren. Løsn motoren ved at dreje motorakslen med værktøjet (M).

9.4 Olieudskiftning (afhængigt af model)

Efterfyld olie til det korrekte niveau gennem påfyldningshullet. Vedrørende specifikationerne for olie henvises til tabellen "Tekniske specifikationer". Det anbefales at skifte olie for hver 500 driftstimer.

9.5 Opbevaring for vinter

Lad maskinen køre med ikke tærende eller giftig frostvæske, før højtryksrenseren sættes til opbevaring for vinteren. Opbevar maskinen på et tørt sted, der er beskyttet mod temperaturer under frysepunktet.

10 OPBEVARING OG TRANSPORT (FIG. 5)/SIDE 6

Opbevar tilbehøret som vist i fig. 5.

Transportér maskinen som vist i fig. 5.

12 FREMGANGSMÅDE TIL UNDGAELSE AF BESKADIGELSE AF OVERFLADER**ADVARSEL**

- 12.1 Det kan udgøre en fare og medføre beskadigelse af dækkene, hvis maskinen benyttes til afvaskning af dæk.
- 12.2 Ret ikke højtryksstrålen direkte mod dækket.
- 12.3 Benyt altid maskinen ved så lavt tryk som muligt i forbindelse med rengøring i nærheden af hjul og dæk.
- 12.4 Brug aldrig turbolansen i forbindelse med afvaskning af køretøjer.
- 12.5 Vedrørende yderligere oplysninger henvises til afsnittet "8.7 Anbefalet fremgangsmåde ved korrekt rensning med højtryksrenseren".

**EF-konformitetserklæring**

Vi - Annovi Reverberi S.p.A., Modena, Italien - erklærer, at følgende De Walt maskine/maskiner:

Maskinbetegnelse	Højtryksrenser				
Modelnr.	DXPW 004 E	DXPW 005 E	DXPW 006 E	DXPW 007 E	
Effektforbrug	3 kW	5 kW	5 kW	7,4 kW	

opfylder kravene i følgende EU-direktiver:

2006/42/EF, 2014/35/EU, 2011/65/EU, 2015/863/EU, 2012/19/EU, 2014/30/EU, 2000/14/EF (lovdekret nr. 262/2002).

og er produceret med overholdelse af kravene i følgende standarder eller standardiserede dokumenter:

EN 60335-1, EN 60335-2-79, EN 55014-1, EN 55014-2, EN 61000-3-2, EN 61000-3-3, EN 61000-3-11, EN 60704-1, EN 62233 og EN IEC 63000

Navn og adresse på den person, der har bemyndigelse til at udarbejde det tekniske dossier: Stefano Reverberi / AR adm. direktør

Via M.L. King 3 - 41122 Modena, Italien

Fremgangsmåden i forbindelse med vurdering af konformiteten jf. direktivet 2000/14/EF er sket med overholdelse af kravene i bilag V.

Modelnr.	DXPW 004 E	DXPW 005 E	DXPW 006 E	DXPW 007 E
Garanteret lydeffektniveau:	93,5 dB (A)	93,9 dB (A)	93,9 dB (A)	94,4 dB (A)
Garanteret lydeffektniveau:	96 dB (A)	96 dB (A)	96 dB (A)	97 dB (A)

Dato: 04.03.2022

MODENA (I)

Stefano Reverberi


Adm. direktør

Garanti

Garantien er omfattet af de gældende nationale normer i landet, hvor produktet markedsføres (medmindre andet er angivet af producenten).

Hvis produktet bliver defekt pga. materiale- eller konstruktionsfejl eller som følge af manglende overensstemmelse med kvalitetskravene i løbet af garantiperioden, udskifter producenten defekte dele og sørger for reparation eller udskiftning af rimeligt slidte dele.

Garantien dækker ikke almindelige sliddele (ventil, stempel, vandpakning, oliepakning, fjedre, O-ringe samt tilbehør såsom slange, pistol, børster, hjul osv.).

Garantien dækker ikke skader, der skyldes eller opstår som følge af:

- forkert brug, ikke tilladt brug, forsømmelse
- udlejning eller professionel brug, såfremt produktet er blevet solgt til ikke-professionel brug,
- manglende overholdelse af forskrifterne vedrørende vedligeholdelse i denne vejledning,
- reparationer udført af uautoriseret personale eller uautoriserede servicecentre,
- brug af uoriginale reservedele/tilbehør,
- skader som følge af transport, uvedkommende genstande eller substanser, ulykke
- samt problemer i forbindelse med opbevaring.

Påberåbelse af garantien kræver forevisning af kvittering.

Med reparationer, Side: 285.

Tekniske specifikationer

Tekniske data	Måleenhed	DXPW 004 E	DXPW 005 E	DXPW 006 E	DXPW 007 E
Kapacitet	l/min	10	13,5	15	14
Maks. kapacitet	l/min	-	-	-	-
Tryk	MPa	12	18	15	21
Maks. tryk	MPa	15	20	17	23
Effekt	kW	3	5	5	7,4
Maks. forsyningstemperatur	°C	60	60	60	60
Maks. forsyningstryk	MPa	1	1	1	1
Pistolens repulsionskraft ved maks. tryk	N	24,30	40,10	40,70	44,90
Olietype til pumpe	kg	-	-	-	-
Beskyttelsesklasse	-	II/⊕	II/⊕	II/⊕	II/⊕
Motorisolering	Klasse	F	F	F	F
Motorbeskyttelse	-	IPX5	IPX5	IPX5	IPX5
Spænding	V/Hz	230/50 1~	400/50 3~	400/50 3~	400/50 3~
Maks. tilladt netmodstand	Ω	-	-	-	-
Lydtryksniveau L_{pK} (EN 60704-1) (K = 2,5 dB(A))	dB (A)	82,1	82,5	82,5	83
Lydeffektniveau L_{Wk} (EN 60704-1) (K = 2,5 dB(A))	dB (A)	96	96	96	97
Maskinens vibrationer (K = 1 m/s ²):	m/s ²	<2,5	<2,5	<2,5	<2,5
Vægt	kg	38	40	40	64

Med forbehold for tekniske ændringer.

1 SICHERHEITSANWEISUNGEN

- 1.1** Bei dem von Ihnen erworbenen Produkt handelt es sich um ein hochtechnisiertes Gerät von einem der erfahrensten europäischen Hersteller von Hochdruckreinigern. Lesen Sie die vorliegende Bedienungsanleitung aufmerksam durch und befolgen Sie bei jedem Gebrauch des Geräts alle in ihr enthaltenen Anweisungen, um alle Leistungsmerkmale des Geräts nutzen zu können. Beim Anschließen, beim Gebrauch und bei der Wartung des Geräts sind alle erforderlichen Vorsichtsmaßnahmen zu treffen, um die eigene Sicherheit und die der in unmittelbarer Nähe befindlichen Personen zu gewährleisten. Lesen Sie die Sicherheitsvorschriften aufmerksam durch und beachten Sie sie genau, da andernfalls die Gefahr von Personen- und Sachschäden besteht.

2 SCHILDER UND SICHERHEITZEICHEN

- 2.1** Die Schilder und Sicherheitszeichen beachten, die am Gerät angebracht und in dieser Bedienungsanleitung abgebildet sind.

Es sind nur die Sicherheitszeichen am Gerät angebracht bzw. in der Bedienungsanleitung abgebildet, die für den sicheren Gebrauch des Geräts zweckdienlich sind. Darauf achten, dass die am Gerät angebrachten Schilder und Sicherheitszeichen stets unversehrt und gut lesbar sind. Andernfalls sind sie durch neue Schilder bzw. Zeichen zu ersetzen, die an den ursprünglichen Stellen anzubringen sind.

 Achtung - Gefahr

 Diese Bedienungsanleitung vor Gebrauch aufmerksam durchlesen.

 Symbol E2 (falls in Abb. 1 abgebildet) - Es weist darauf hin, dass das Gerät für den gewerblichen Gebrauch bestimmt ist, d.h. für den Gebrauch durch Personen, die über die hierzu erforderliche Erfahrung und die nötigen technischen Kenntnisse verfügen, die gesetzlichen Bestimmungen kennen und in der Lage sind, die zum Betrieb und zur Wartung des Geräts erforderlichen Tätigkeiten auszuführen. Dieses Gerät ist nicht dazu vorgesehen, von Personen (einschließlich Kinder) mit eingeschränkten körperlichen, sensorischen oder geistigen Fähigkeiten benutzt zu werden. Gleiches gilt für Personen mit mangelnder Erfahrung oder Kenntnis.

 Gefahr durch bewegte Teile. Nicht berühren.

0 AUS-Stellung des Geräteschalters

I EIN-Stellung des Geräteschalters

 Garantierter Schallleistungspegel



 Verbotsszeichen: Es weist darauf hin, dass die nationalen Bestimmungen möglicherweise den Anschluss des Geräts an das Trinkwassernetz verbieten.



Warnzeichen: Es weist darauf hin, dass der Wasserstrahl nicht auf Personen, Tiere, elektrische Ausrüstungen und das Gerät selbst gerichtet werden darf.

 Dieses Gerät hat die Schutzklasse I. Das heißt, dass es mit einem Schutzleiter versehen ist (nur wenn das entsprechende Zeichen am Gerät angebracht ist).

 Dieses Gerät entspricht den einschlägigen europäischen Richtlinien.

 Symbol E 1 - Es weist darauf hin, dass dieses Gerät **nicht mit dem Hausmüll entsorgt** werden darf. Es kann beim Kauf eines neuen Geräts an den Händler zurückgegeben werden. Die elektrischen und elektronischen Komponenten der Maschine dürfen nicht zweckwidrig wiederverwendet werden, da sie gesundheitsschädliche Stoffe enthalten.

 Gehörschutz benutzen.

 Gesichtsschutz benutzen.

 Atemschutz benutzen.

 Handschutz benutzen.

 Fußschutz benutzen.

 Schutzkleidung benutzen.



3 SICHERHEITSVORSCHRIFTEN/RESTRISIKEN**3.1 WARNHINWEISE: VERBOTE**

- 3.1.1 ACHTUNG.** Kindern darf NICHT erlaubt werden, das Gerät zu benutzen oder mit ihm zu spielen.
- 3.1.2 ACHTUNG.** Der Druckstrahl kann bei unsachgemäßem Umgang gefährlich sein.
- 3.1.3 ACHTUNG.** Das **Gerät** NICHT mit entzündbaren, giftigen bzw. mit solchen Flüssigkeiten betreiben, die seinen ordnungsgemäßen Betrieb beeinträchtigen könnten. Es ist verboten, das Gerät in entzündlicher oder explosiver Atmosphäre zu betreiben.
- 3.1.4 ACHTUNG.** EXPLOSIONSGEFAHR. KEINE entzündlichen Flüssigkeiten versprühen.
- 3.1.5 ACHTUNG.** Den Wasserstrahl NICHT auf Personen oder Tiere richten.
- 3.1.6 ACHTUNG.** Den Wasserstrahl NICHT auf das Gerät selbst, elektrische Komponenten bzw. andere Elektrogeräte richten.
- 3.1.7 ACHTUNG.** Das Gerät NICHT verwenden, wenn sich in seinem Aktionsradius Personen aufhalten, die keine Schutzkleidung tragen.
- 3.1.8 ACHTUNG.** Den Wasserstrahl NICHT auf sich selbst oder andere Personen richten, um die Bekleidung oder die Schuhe zu reinigen.
- 3.1.9 ACHTUNG.** Das Gerät NICHT bei Regen im Freien betreiben.
- 3.1.10 ACHTUNG.** Das Gerät darf NICHT von Kindern, Personen mit eingeschränkten geistigen Fähigkeiten oder Personen, die die Bedienungsanleitung nicht gelesen und verstanden haben, verwendet werden.
- 3.1.11 ACHTUNG.** Den Stecker bzw. die Steckdose NIEMALS mit nassen Händen anfassen.
- 3.1.12 ACHTUNG.** Das Gerät NICHT in Betrieb nehmen, wenn sein Netzkabel beschädigt ist. Wenn das Netzkabel beschädigt ist, muss man es vom Hersteller, einem autorisierten Kundendienstzentrum oder einem Fachmann austauschen lassen, damit der sichere Betrieb des Geräts gewährleistet bleibt.
- 3.1.13 ACHTUNG.** Das Gerät NICHT verwenden, wenn das Netzkabel oder andere wichtige Teile wie z.B. die Sicherheitsvorrichtungen, die Hochdruckschläuche oder die Pistole beschädigt sind.
- 3.1.14 ACHTUNG.** Den Hebel der Pistole NICHT in der Betriebsstellung blockieren.
- 3.1.15 ACHTUNG.** Kontrollieren, ob am Gerät sein Typenschild angebracht ist. Andernfalls den Händler hiervon unterrichten. Geräte ohne Typenschild dürfen NICHT in Betrieb genommen werden, da sie als nicht vorschriftsmäßig gekennzeichnete Geräte eine potenzielle Gefahrenquelle darstellen.



- 3.1.16 ACHTUNG.** KEINE unbefugten Eingriffe am Regelventil und an den Sicherheitsvorrichtungen vornehmen und ihre Einstellungen nicht verändern.
- 3.1.17 ACHTUNG.** NICHT den Originaldurchmesser der Düse verändern.
- 3.1.18 ACHTUNG.** Das Gerät NICHT am NETZKABEL ziehen.
- 3.1.19 ACHTUNG.** Darauf achten, dass keine Fahrzeuge über den Hochdruckschlauch fahren.
- 3.1.20 ACHTUNG.** Das Gerät NICHT am Hochdruckschlauch ziehen.
- 3.1.21 ACHTUNG.** Es kann gefährlich sein, den Hochdruckstrahl auf Reifen, Reifenventile und sonstige unter Druck stehende Bauteile zu richten. Hierzu nicht den Rotordüsensatz verwenden und in jedem Fall den Wasserstrahl beim Reinigen auf einem Abstand von mindestens 30 cm halten.
- 3.1.22 ACHTUNG.** Es ist verboten, anderes als das für das jeweilige Modell bestimmte Originalzubehör zu verwenden. Es ist verboten, am Gerät irgendwelche Änderungen vorzunehmen. Unbefugte Änderungen führen zum Erlöschen der Konformitätserklärung und befreien den Hersteller von jeder zivil- und strafrechtlichen Verantwortung.
- 3.2 WARNHINWEISE: GEBOTE**
- 3.2.1 ACHTUNG.** Sämtliche stromführenden Teile MÜSSEN gegen den Wasserstrahl GESCHÜTZT sein.
- 3.2.2 ACHTUNG.** Der elektrische Anschluss muss von einem Fachmann in Einklang mit der Norm IEC 60364-1 ausgeführt werden. Es sollte ein FI-Schalter installiert werden, der die Stromversorgung unterbricht, wenn der Fehlerstrom gegen Erde 30 mA für die Dauer von 30 ms überschreitet. Alternativ kann ein Gerät zur Schutzleiterüberwachung installiert werden.
- 3.2.3 ACHTUNG.** BEIM ANLAUF kann das Gerät Netzstörungen verursachen.
- 3.2.4 ACHTUNG.** Der Betrieb mit einem FI-Schalter (30 mA) bietet zusätzliche persönliche Sicherheit.
- 3.2.5 ACHTUNG.** Bei den Modellen ohne Stecker muss die Installation von einem Fachmann ausgeführt werden.
- 3.2.6 ACHTUNG.** Ausschließlich vorschriftsmäßige Verlängerungskabel mit einem angemessenen Querschnitt verwenden.
- 3.2.7 ACHTUNG.** Stets den Geräteschalter ausschalten, wenn das Gerät unbeaufsichtigt gelassen wird.



3.2.8



ACHTUNG. Durch den hohen Druck können Teile zurückprallen. Daher muss die Bedienungsperson die zu ihrem Schutz erforderliche Schutzkleidung und Schutzausrüstung (PSA) tragen.

3.2.9 ACHTUNG. Vor der Ausführung von Arbeiten am Gerät stets zuerst den NETZSTECKER AUS DER STECKDOSE ZIEHEN.

3.2.10 ACHTUNG. Die Pistole beim Betätigen des Hebels wegen dem druckbedingten Rückstoß GUT FESTHALTEN.

3.2.11 ACHTUNG. Die Vorschriften des örtlichen Wasserversorgungsunternehmens BEACHTEN. Gemäß der Norm IEC 60335-2-79 darf das Gerät nur dann direkt an das öffentliche Trinkwassernetz angeschlossen werden, wenn auf die Wasserzufuhr ein Systemtrenner gemäß EN 12729 Typ BA installiert wird. Der Systemtrenner kann beim Hersteller erworben werden.

3.2.12 ACHTUNG. Wasser, das durch einen Systemtrenner geflossen ist, gilt nicht mehr als Trinkwasser.

3.2.13 ACHTUNG. Die Wartung bzw. Reparatur der elektrischen Bauteile DARF NUR durch Fachpersonal erfolgen.

3.2.14 ACHTUNG. Vor dem Lösen des Schlauchs vom Gerät unbedingt den Restdruck ablassen.

3.2.15 ACHTUNG. Vor jedem Gebrauch sowie in regelmäßigen Zeitabständen den Festsitz der Schrauben und Muttern kontrollieren und die Komponenten des Geräts auf Bruch bzw. Verschleiß überprüfen.

3.2.16 ACHTUNG. NUR solche Reinigungsmittel verwenden, die mit dem Material der Ummantelung des Hochdruckschlauchs und des Netzkabels verträglich sind.

3.2.17 ACHTUNG. Personen und Tiere müssen sich in einem Sicherheitsabstand von mindestens 15 m AUFHALTEN.

3.2.18 ACHTUNG. Dieses Gerät wurde für den Betrieb mit dem vom Hersteller gelieferten oder empfohlenen Reinigungsmitteln konstruiert. Die Verwendung von anderen Reinigungsmitteln oder chemischen Produkten kann sich nachteilig auf seine Sicherheit auswirken.

3.2.19 ACHTUNG. Den Kontakt der Haut und vor allem der Augen mit dem Reinigungsmittel unbedingt vermeiden! Nach Augenkontakt sofort mit reichlich Wasser ausspülen und unverzüglich ärztliche Hilfe in Anspruch nehmen!



- 3.2.20 ACHTUNG.** Die Hochdruckschläuche, Armaturen und Kupplungen sind wichtig für die Sicherheit des Geräts. Ausschließlich die vom Hersteller empfohlenen Hochdruckschläuche, Armaturen und Kupplungen verwenden.
- 3.2.21 ACHTUNG.** Zur Gewährleistung der Sicherheit des Geräts ausschließlich Originalersatzteile des Herstellers oder vom Hersteller zugelassene Ersatzteile verwenden.
- 3.2.22 ACHTUNG.** Wenn ein Verlängerungskabel verwendet wird, müssen Stecker und Steckdose wasserdicht sein.
- 3.2.23 ACHTUNG.** Ungeeignete Verlängerungskabel können zur Entstehung von Gefahren führen. Nur für die Verwendung im Freien geeignete Verlängerungskabel verwenden und sicherstellen, dass die Kupplung vom Boden angehoben und gegen Feuchtigkeit geschützt ist. Es wird empfohlen, eine Kabeltrommel zu verwenden, die gewährleistet, dass sich die Steckdose mindestens 60 mm über dem Boden befindet.
- 3.2.24 ACHTUNG.** Das Gerät vor der Ausführung von Arbeiten zur Montage, Reinigung, Einstellung, Wartung, Lagerung und zum Transport ausschalten und vom Stromnetz trennen.
- 3.2.25 ACHTUNG.** Vor dem Einschalten des Geräts die Rohrreinigungsspirale bis zur roten Markierung einführen.



4 ALLGEMEINE INFORMATIONEN (ABB. 1)/SEITE 3**4.1 Gebrauch der Bedienungsanleitung**

Die vorliegende Bedienungsanleitung ist ein wesentlicher Bestandteil des Geräts und muss sorgfältig aufbewahrt werden, damit sie auch später jederzeit zu Rate gezogen werden kann. Die Bedienungsanleitung vor der Installation und dem Gebrauch aufmerksam durchlesen. Der Eigentümer ist verpflichtet, die Bedienungsanleitung im Falle der Veräußerung des Geräts dem neuen Eigentümer zu übergeben.

4.2 Lieferung

Das Gerät wird teilweise zerlegt in einen Karton verpackt geliefert. Der Lieferumfang ist in Abb. 1 dargestellt.

4.2.1 Beiliegende Dokumentation

- A1** Bedienungs- und Wartungsanleitung
- A2** Sicherheitsanweisungen
- A3** Konformitätserklärung
- A4** Garantiebedingungen

4.3 Entsorgung der Verpackung

Die Verpackungsmaterialien sind nicht umweltschädlich, müssen jedoch in jedem Fall in Einklang mit den im Verwendungsland geltenden Bestimmungen entsorgt bzw. recycelt werden.

5 TECHNISCHE INFORMATIONEN (ABB. 1)/SEITE 3**5.1 Vorgesehener Gebrauch**

Das Gerät ist zum Betrieb durch eine Person zum Reinigen von Fahrzeugen, Maschinen, Booten, Mauerwerken usw. bestimmt, um hartnäckige Verschmutzungen mit sauberem Wasser und biologisch abbaubaren chemischen Reinigungsmitteln zu entfernen.

Das Waschen von Fahrzeugmotoren ist nur dann erlaubt, wenn das Abwasser vorschriftsmäßig entsorgt wird.

- Wasserzulauftemperatur: **siehe das Typenschild auf dem Gerät.**
- Wasserzulaufdruck: **min. 0,1 MPa - max. 1 MPa.**
- Betriebsumgebungstemperatur: **über 0°C.**

Das Gerät entspricht den Normen IEC 60335-1 und IEC 60335-2-79.

5.2 Bedienungsperson

Die Anforderungen an die Bedienungsperson hängen davon ab, ob das Gerät für den gewerblichen oder den nicht gewerblichen Gebrauch bestimmt ist. Siehe hierzu das entsprechende Symbol in Abb. 1.

5.3 Wichtigste Teile

- B2** Lanze
- B3** Pistole mit Verriegelung
- B4** Netzkabel mit Netzstecker (falls vorgesehen)
- B5** Hochdruckschlauch
- B6** Reinigungsmitteltank (falls vorgesehen)
- B7** Ölverschluss (falls vorgesehen)
- E** Düse
- F** Regler für Reinigungsmittel (falls vorgesehen)
- G** Druckregler (falls vorgesehen)
- H** Geräteschalter
- L** Wasserfilter

5.3.1 Zubehör (falls im Lieferumfang eingeschlossen - siehe Abb. 1)

- | | |
|---|----------------------------------|
| C1 Reinigungswerkzeug für Düse | C10 Schrauben |
| C2 Satz Rotordüse | C11 Wandhalterungen |
| C3 Griff | C12 Hebel |
| C4 Bürste | C13 Satz Reinigungsmittel |
| C5 Schlauchtrommel | C14 Räder |
| C6 Satz Wasseransaugung | C15 Schmierfetttube |
| C7 Rohrreinigungssatz | C16 Manometer |
| C8 Satz Bürste für große Flächen | C17 Adapter |
| C9 Adapter | |

5.4 Sicherheitsvorrichtungen

- Geräteschalter (H)

Der Geräteschalter verhindert den unbeabsichtigten Betrieb des Geräts.

**Achtung - Gefahr!**

Keine unbefugten Änderungen am Sicherheitsventil vornehmen und seine Einstellung nicht verändern.

- Sicherheits- und/oder Druckbegrenzungsventil.

Das Sicherheitsventil ist auch ein Druckbegrenzungsventil. Beim Lösen des Hebels der Pistole öffnet sich das Ventil und das Wasser läuft zurück zur Saugseite der Pumpe oder wird auf den Boden abgelassen.

- Thermostatventil (D1, falls vorgesehen)

Wenn die Wassertemperatur die vom Hersteller vorgesehene Temperatur überschreitet, lässt das Thermostatventil das heiße Wasser ab und saugt eine der Menge des abgelassenen Wassers entsprechende Menge kalten Wassers an, um wieder die richtige Temperatur herzustellen.

- Verriegelung (D): Sie sperrt den Hebel und verhindert so seine ungewollte Betätigung.
- Überhitzungsschutz: Er schaltet das Gerät im Fall einer Überlast aus.

6 INSTALLATION (ABB. 2)/SEITE 4**6.1 Montage****Achtung - Gefahr!**

Das Gerät muss zur Ausführung aller Installations- und Montagearbeiten vom Stromnetz getrennt sein.

Für die Reihenfolge der Montagearbeiten siehe **Abb. 2.**

6.2 Montage der Entlüftungsverschlüsse (falls vorgesehen)

Um das Austreten von Öl zu verhindern, werden die Öleinfüllöffnungen für den Transport mit roten Deckeln verschlossen, die dann durch die im Lieferumfang enthaltenen Entlüftungsverschlüsse zu ersetzen sind.

6.3 Montage der Rotordüse

(Bei den Modellen, die hiermit ausgestattet sind.)

Der Rotordüsensatz ermöglicht die Erhöhung der Reinigungsleistung. Bei Verwendung der Rotordüse kann es zu einer Abnahme des Drucks um 25 % gegenüber dem Druck kommen, den man mit der verstellbaren Düse erhält. Da sie jedoch einen kreisförmig rotierenden Wasserstrahl erzeugt, ist ihre Reinigungsleistung größer.

6.4 Elektrischer Anschluss**Achtung - Gefahr!**

Sicherstellen, dass Netzspannung und -frequenz den Angaben auf dem Typenschild (V-Hz) entsprechen (Abb. 2).

6.4.1 Gebrauch von Verlängerungskabeln

Kabel und Stecker mit Schutzart IPX5 verwenden.

Der Querschnitt des Verlängerungskabels muss proportional zu seiner Länge sein. Je länger es ist, umso größer muss der Querschnitt sein. Siehe Tabelle I.

6.5 Wasseranschluss**Achtung - Gefahr!**

Nur gefiltertes oder sauberes Wasser ansaugen. Der Wasserhahn muss mindestens eine der Fördermenge der Pumpe entsprechende Wassermenge liefern.

Das Gerät so nahe wie möglich am Wasseranschluss aufstellen.

6.5.1 Anschlussstutzen

- Wasserauslass (OUTLET)
- Wasserzulauf mit Filter (INLET)

6.5.2 Anschluss an das öffentliche Wassernetz

Der direkte Anschluss des Geräts an das öffentliche Trinkwassernetz ist nur dann zulässig, wenn die Zuleitung mit einer vorschriftsmäßigen Sicherungsarmatur versehen ist. Einen gewebeverstärkten Wassererschlauch mit einem Durchmesser von mindestens 13 mm und einer Höchstlänge von 25 m verwenden.

6.5.3 Wasseransaugung aus offenen Behältern

- 1) Den Saugschlauch mit Filter auf den Wasserzulaufanschluss (INLET) schrauben und sein anderes Ende bis zum Boden in den Behälter eintauchen.
 - 2) Das Gerät entlüften:
 - a) Die Lanze abschrauben.
 - b) Das Gerät einschalten und die Pistole betätigen, bis blasenfreies Wasser austritt.
 - 3) Das Gerät ausschalten und die Lanze wieder anschrauben.
- Hinweis: Die Saughöhe darf höchstens 0,5 m betragen. Es empfiehlt sich, den Saugschlauch vor der Verwendung zu füllen.

7 EINSTELLUNGEN (ABB. 3)/SEITE 5

- 7.1 Einstellung der Düse** (falls vorgesehen)
Den Wasserstrahl an der Düse (E) regulieren.
- 7.2 Einstellung der Reinigungsmittelabgabe**
Damit das Reinigungsmittel mit dem richtigen Druck ausgegeben wird, die Düse (E) (falls vorgesehen) in die Stellung "■" bringen oder den Satz Reinigungsmittel (C13) (falls vorgesehen) wie in der Abbildung dargestellt montieren.
Die abzugebende Reinigungsmittelmenge mit dem Regler (F) dosieren (falls vorgesehen).
- 7.3 Einstellung des Arbeitsdrucks** (falls vorgesehen)
Den Arbeitsdruck mit dem Regler (G) regulieren. Der Druck wird auf dem Manometer angezeigt (falls vorgesehen).

8 INFORMATIONEN ZUM GEBRAUCH (ABB. 4)/SEITE 5

8.1 Bedieneinrichtungen

- Geräteschalter (H).

Den Geräteschalter in die Schaltstellung (ON/I) schalten, um:

- den Motor einzuschalten (bei den Modellen ohne TSS-Vorrichtung);
- den Motor für den Betrieb vorzubereiten (bei den Modellen mit TSS-Vorrichtung).

Wenn der Geräteschalter über eine Kontrolllampe verfügt, muss diese Kontrolllampe aufleuchten.

Den Geräteschalter in die Schaltstellung (OFF/O) schalten, um das Gerät auszuschalten.

Wenn der Geräteschalter über eine Kontrolllampe verfügt, muss diese Kontrolllampe dann erlöschen.

- Hebel der Pistole (I).

Achtung - Gefahr!

Das Gerät muss für den Betrieb wie in Abb. 4 gezeigt auf einem sicheren und festen Untergrund aufgestellt werden.

8.2 Einschalten (siehe Abb. 4)

- Den Wasserhahn ganz öffnen.
- Die Verriegelung (D) der Pistole lösen.
- Den Hebel der Pistole einige Sekunden gezogen halten und dann das Gerät mit dem Geräteschalter einschalten (ON/I).

Achtung - Gefahr!

Vor der Inbetriebnahme des Geräts sicherstellen, dass es ordnungsgemäß mit Wasser versorgt wird. Wenn es trocken läuft, kann es Schaden nehmen. Während des Betriebs darauf achten, dass die Lüftungsgitter nicht verdeckt sind. Modelle TSS - Bei den TSS-Modellen mit automatischer Zulaufunterbrechung:

- **Beim Lösen des Hebels der Pistole** bewirkt der dynamische Druck automatisch die Abschaltung des Elektromotors.
- **Beim Ziehen des Hebels der Pistole** bewirkt der Druckabfall automatisch die Einschaltung des Motors. Der Druck wird mit einer minimalen Verzögerung wieder aufgebaut.
- Damit die TSS-Vorrichtung ordnungsgemäß funktioniert, muss man zwischen dem Lösen und dem Ziehen des Hebels der Pistole **mindestens** 4 bis 5 Sekunden abwarten.

Das Gerät kann durch Trockenlauf Schaden nehmen. Daher ist darauf zu achten, dass es stets ordnungsgemäß mit Wasser versorgt wird. Bei den Modellen ohne TSS-Vorrichtung ist zur Vermeidung von Schäden am Gerät durch eine zu hohe Wassertemperatur darauf zu achten, dass der Wasserstrahl nicht länger als 5 Minuten unterbrochen wird, während das Gerät eingeschaltet ist.

8.3 Ausschalten

- Den Geräteschalter in die Schaltstellung (OFF/O) schalten.
- Den Hebel der Pistole ziehen, um den Druck aus den Leitungen abzulassen.
 - Die Verriegelung (D) der Pistole betätigen.

8.4 Neustart

- Die Verriegelung (D) der Pistole lösen.
- Am Hebel der Pistole ziehen, um die Leitungen zu entlüften.
- Den Geräteschalter in die Schaltstellung (ON/I) schalten.

8.5 Außerbetriebnahme

- Den Wasserhahn schließen.

- Den Restdruck über die Pistole ablassen, bis das gesamte Wasser aus dem Gerät ausgetreten ist.
- Das Gerät ausschalten (OFF/O).
- Den Netzstecker aus der Steckdose ziehen.
- Nach der Arbeit den Reinigungsmitteltank entleeren und waschen. Zum Waschen des Tanks sauberes Wasser anstelle des Reinigungsmittels verwenden.
- Die Verriegelung (D) der Pistole wieder betätigen.

8.6 Einfüllen und Gebrauch des Reinigungsmittels

Das Reinigungsmittel muss mit den Zubehöreinrichtungen und nach den Verfahrensweisen ausgegeben werden, die unter Punkt 7.3 angeführt sind.

Verwendet man einen längeren als den zur Originalausstattung des Hochdruckreinigers gehörenden Hochdruckschlauch oder eine zusätzliche Schlauchverlängerung, wird unter Umständen weniger oder gar kein Reinigungsmittel angesaugt.
Den Tank (B6) mit einem hochgradig biologisch abbaubarem Reinigungsmittel füllen.

8.7 Ratschläge zum richtigen Gebrauch

Zum Lösen des Schmutzes das Reinigungsmittel auf die trockenen Oberflächen sprühen.

Senkrechte Flächen von unten nach oben bearbeiten. Die Reinigungsmittellösung 1 bis 2 Minuten einwirken lassen, jedoch die Oberflächen nicht trocknen lassen. Dann die Oberflächen mit dem Hochdruckstrahl in einem Abstand von mindestens 30 cm von unten nach oben waschen. Darauf achten, dass das Spülwasser nicht auf nicht zu reinigende Oberflächen läuft.

Manchmal kann der Schmutz nur durch die mechanische Einwirkung einer Waschbürste entfernt werden.

Ein hoher Druck ist nicht immer die beste Lösung beim Reinigen, da manche Oberflächen durch ihn Schaden nehmen können. Bei empfindlichen, lackierten oder unter Druck stehenden Teilen (z.B. Reifen, Reifenfüllventile usw.) sollten daher der Nadelstrahl der verstellbaren Düse und die Rotordüse nicht verwendet werden.

Eine gute Reinigungswirkung hängt in gleichem Maße vom Druck und vom Wasservolumen ab.

9 WARTUNG (ABB. 5)/SEITE 6

Alle nicht in diesem Kapitel genannten Wartungsarbeiten müssen von einem autorisierten Kundendienstzentrum ausgeführt werden.

Achtung - Gefahr!

Vor der Ausführung von Eingriffen am Gerät unbedingt zuerst den Netzstecker aus der Steckdose ziehen.

9.1 Reinigung der Düse

- Die Lanze von der Pistole lösen.
- Mit dem Werkzeug (C1) die Bohrung der Düse säubern.

9.2 Reinigung des Filters

Vor jedem Gebrauch den Saugfilter (L) und den Reinigungsmittelfilter (falls vorgesehen) kontrollieren und erforderlichenfalls wie angegeben reinigen.

9.3 Aufheben einer Motorblockierung (falls vorgesehen)

Wenn das Gerät über lange Zeit nicht verwendet wird, können Kalkablagerungen die Blockierung des Motors verursachen. Zum Aufheben der Blockierung des Motors die Motorwelle mit dem Werkzeug (M) drehen.

9.4 Öl nachfüllen (falls vorgesehen)

Das Öl durch die Einfüllöffnung bis zum vorgesehenen Ölstand einfüllen. Für Informationen zu den Eigenschaften des Öls siehe die Tabelle "Technische Daten".

Das Öl sollte alle 500 Betriebsstunden gewechselt werden.

9.5 Stilllegung und Lagerung

Vor Stilllegung und Lagerung über die kalte Jahreszeit das Gerät mit einem nicht aggressiven und ungiftigen Frostschutzmittel laufen lassen. Das Gerät an einem trockenen und frostschutzten Ort lagern.

10 LAGERUNG UND TRANSPORT (ABB. 5)/SEITE 6

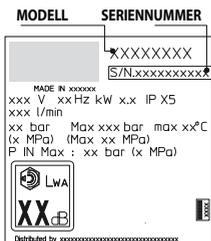
Das Zubehör wie in Abb. 5 gezeigt lagern.

Das Gerät wie in Abb. 5 gezeigt transportieren.

11 INFORMATIONEN ZU BETRIEBSSTÖRUNGEN

Fehlfunktionen	Wahrscheinliche Ursachen	Abhilfe
Pumpe erreicht nicht den vorgeschriebenen Druck.	Düse verschlissen.	Düse ersetzen.
	Wasserfilter verschmutzt.	Den Filter (L) reinigen (Abb. 5).
	Wasserzulauf ungenügend.	Wasserhahn ganz öffnen.
	Es wird Luft angesaugt.	Armaturen überprüfen.
	Luft in der Pumpe.	Das Gerät abschalten und die Pistole betätigen, bis ein kontinuierlicher Wasserstrahl austritt. Wieder einschalten.
	Düse nicht richtig eingestellt.	Die Düse (E) in die Stellung (+) bringen (Abb. 3).
	Auslösung des Thermostatventils.	Abwarten, bis wieder die richtige Wassertemperatur erreicht wurde.
Druckschwankungen der Pumpe.	Saughöhe von offenem Behälter über 0,5 m.	Saughöhe verringern.
	Wasseransaugung von externem Tank.	Das Gerät ans Wassernetz anschließen.
	Zulaufwassertemperatur zu hoch.	Temperatur senken.
	Düse verstopft.	Düse reinigen (Abb. 5).
Der Motor „brummt“, läuft aber nicht an.	Saugfilter (L) verschmutzt.	Den Filter (L) reinigen (Abb. 5).
	Netzspannung zu niedrig.	Kontrollieren, ob die Netzspannung der auf dem Typenschild angegebenen Bemessungsspannung entspricht (Abb. 2).
	Spannungsfall durch die Verlängerung.	Eigenschaften der Verlängerung überprüfen.
	Langzeitige Abschaltung des Geräts.	Ein autorisiertes Kundendienstzentrum kontaktieren.
Der Elektromotor läuft nicht an.	Probleme bei der TSS-Vorrichtung.	Ein autorisiertes Kundendienstzentrum kontaktieren.
	Versorgungsspannung fehlt.	Kontrollieren, ob die Netzspannung vorhanden ist und ob der Netzstecker richtig in die Steckdose eingesteckt ist. (*)
	Probleme bei der TSS-Vorrichtung.	Ein autorisiertes Kundendienstzentrum kontaktieren.
	Das Gerät steht seit langer Zeit still.	Über die rückseitige Öffnung die Blockierung des Motors mit dem Werkzeug (M) aufheben (bei den Modellen, bei denen dies vorgesehen ist) (Abb. 5).
Wasserleck.	Dichtungen verschlissen.	Die Dichtungen von einem autorisierten Kundendienstzentrum ersetzen lassen.
	Auslösung des frei abblasenden Sicherheitsventils.	Ein autorisiertes Kundendienstzentrum kontaktieren.
Geräuschvoller Betrieb.	Wassertemperatur zu hoch.	Temperatur senken (siehe die technischen Daten).
Ölleck.	Dichtungen verschlissen.	Ein autorisiertes Kundendienstzentrum kontaktieren.
Nur für TSS: Das Gerät startet, obwohl der Hebel der Pistole nicht gezogen ist.	Dichtung im Hochdrucksystem oder im Pumpenkreislauf defekt.	Ein autorisiertes Kundendienstzentrum kontaktieren.
Nur für TSS: Bei Betätigung des Hebels der Pistole tritt kein Wasser aus (bei angeschlossenem Zulaufschlauch).	Düse verstopft.	Düse reinigen (Abb. 5).
Es wird kein Reinigungsmittel angesaugt.	Die verstellbare Düse ist auf Hochdruck eingestellt.	Die Düse (E) in die Stellung " " bringen (Abb. 3).
	Reinigungsmittel zu zähflüssig.	Mit Wasser verdünnen.
	Verwendung von Verlängerungen für den Hochdruckschlauch.	Wieder den Originalschlauch verwenden.
Aus dem Thermostatventil tritt Wasser aus.	Reinigungsmittelleitung verkrustet oder gequetscht.	Mit sauberem Wasser reinigen und darauf achten, dass die Leitung nicht gequetscht wird. Wenn sich das Problem nicht beheben lässt, ein autorisiertes Kundendienstzentrum kontaktieren.
	Die Wassertemperatur im Pumpenkopf hat den auf dem Typenschild angegebenen Höchstwert überschritten.	Den Wasserstrahl nicht länger als 5 Minuten unterbrechen, während das Gerät eingeschaltet ist.

(*) Sollte der Motor während des Betriebs anhalten und nicht wieder anlaufen, vor dem erneuten Start 2 bis 3 Minuten abwarten (**Auslösung des Übertemperaturschutzes**). Falls die Störung wiederholt auftritt, ein autorisiertes Kundendienstzentrum kontaktieren.



12 VERMEIDUNG EINER BESCHÄDIGUNG DER OBERFLÄCHEN**ACHTUNG**

- 12.1 Die Verwendung des Geräts zum Reinigen von Reifen kann gefährlich sein. Außerdem können die Reifen Schaden nehmen.
 12.2 Den Hochdruckwasserstrahl nicht direkt auf den Reifen richten.
 12.3 Für Reinigungsarbeiten in der Nähe der Räder und Reifen den Hochdruckreiniger stets auf den niedrigsten Druck einstellen.
 12.4 Niemals die Turbodüse zum Reinigen irgendeines Teils des Fahrzeugs verwenden.
 12.5 Für weitere Informationen siehe den Abschnitt "8.7 Ratschläge zum richtigen Gebrauch".

**EG-Konformitätserklärung**

Die Firma Anнови Reverberi S.p.A., Modena, Italien, erklärt, dass das/die folgende/n Gerät/e De Walt:

Bezeichnung des Geräts	Hochdruckreiniger			
Modellnr.	DXPW 004 E	DXPW 005 E	DXPW 006 E	DXPW 007 E
Leistungsaufnahme	3 kW	5 kW	5 kW	7,4 kW

den folgenden europäischen Richtlinien entspricht/entsprechen:

2006/42/EG, 2014/35/EU, 2011/65/EU, 2015/863/EU, 2012/19/EU, 2014/30/EU, 2000/14/EG (Italienisches Gesetzesvertretendes Dekret Nr. 262/2002).

und gemäß den folgenden Normen oder vereinheitlichten Dokumenten hergestellt wurde/n:

EN 60335-1; EN 60335-2-79; EN 55014-1; EN 55014-2; EN 61000-3-2; EN 61000-3-3; EN 61000-3-11; EN 60704-1; EN 62233; EN IEC 63000

Name und Anschrift der für die Zusammenstellung der technischen Unterlagen bevollmächtigten Person: Stefano Reverberi / AR Managing Director
 Via ML King, 3 - 41122 Modena, Italien

Das von der Richtlinie 2000/14/EG verlangte Verfahren zur Beurteilung der Konformität wurde gemäß Anhang V ausgeführt.

Modellnr.	DXPW 004 E	DXPW 005 E	DXPW 006 E	DXPW 007 E
Gemessener Schallleistungspegel:	93,5 dB (A)	93,9 dB (A)	93,9 dB (A)	94,4 dB (A)
Garantierter Schallleistungspegel:	96 dB (A)	96 dB (A)	96 dB (A)	97 dB (A)

Datum: 04.03.2022

MODENA (I)

Stefano Reverberi


 Managing Director

Garantie

Die Gültigkeit der Garantie wird von den Bestimmungen in dem Land geregelt, in dem das Produkt in Verkehr gebracht wird (vorbehaltlich anderer Angaben des Herstellers).

Wenn sich das Produkt innerhalb des Gültigkeitszeitraums der Garantie wegen eines Material- oder Herstellungsfehlers oder nicht gegebener Konformität als mangelhaft erweist, garantiert der Hersteller den Austausch der defekten Teile und veranlasst die Reparatur der Produkte, falls sich ihr Verschleiß in zumutbaren Grenzen hält, bzw. ihren Austausch.

Von der Garantie ausgeschlossen sind alle Teile, die dem normalen Verschleiß unterliegen (Ventil, Kolben, Wasserdichtung, Öldichtung, Federn, O-Ringe sowie Zubehör wie Schlauch, Pistole, Bürsten, Räder usw.).

Von der Garantie ausgeschlossen sind Defekte aufgrund oder infolge von:

- unsachgemäßem Gebrauch, unzulässigem Gebrauch, mangelnder Sorgfalt,
- Vermietung oder gewerblicher Gebrauch, falls das Produkt für den Einsatz im Haushalt verkauft worden ist,
- Missachtung der in der entsprechenden Anleitung enthaltenen Wartungsvorschriften,
- Reparaturen, die von unbefugten Personen oder Werkstätten ausgeführt wurden,
- Verwendung von nicht originalen Ersatz- oder Zubehörteilen,
- Schäden, die durch einen Unfall, den Transport, Fremdkörper oder Fremdstoffe verursacht wurden,
- Problemen bei der Lagerung oder Aufbewahrung.

Um die Garantie in Anspruch nehmen zu können, muss der Kaufbeleg vorgelegt werden.

Für den Kundendienst, Seite: 285.

Technische Daten

Technische Daten	Einheit	DXPW 004 E	DXPW 005 E	DXPW 006 E	DXPW 007 E
Fördermenge	l/min	10	13,5	15	14
Max. Fördermenge	l/min	-	-	-	-
Druck	MPa	12	18	15	21
Max. Druck	MPa	15	20	17	23
Leistung	kW	3	5	5	7,4
Zulauftemperatur	°C	60	60	60	60
Max. Zulaufdruck	MPa	1	1	1	1
Rückstoßkraft der Pistole beim max. Druck	N	24,30	40,10	40,70	44,90
Pumpenöltyp	kg	-	-	-	-
Schutzklasse	-				
Isolationsklasse Motor	Klasse	F	F	F	F
Schutzart Motor	-	IPX5	IPX5	IPX5	IPX5
Spannung	V/Hz	230/50 1~	400/50 3~	400/50 3~	400/50 3~
Maximal zulässige Netzimpedanz	Ω	-	-	-	-
Schalldruckpegel L_{pa} (EN 60704-1) (K = 2,5 dB(A))	dB (A)	82,1	82,5	82,5	83
Schalleistungspegel L_{wa} (EN 60704-1) (K = 2,5 dB(A))	dB (A)	96	96	96	97
Vibrationen des Geräts (K = 1 m/s ²):	m/s ²	<2,5	<2,5	<2,5	<2,5
Gewicht	kg	38	40	40	64

Technische Änderungen vorbehalten!

1 ΟΔΗΓΙΕΣ ΓΙΑ ΤΗΝ ΑΣΦΑΛΕΙΑ

1.1 Το μηχάνημα που αγοράσατε είναι ένα προϊόν υψηλής τεχνολογίας το οποίο κατασκευάστηκε από μία από τις πιο έμπειρες ευρωπαϊκές εταιρίες πλαστικών μηχανημάτων υψηλής πίεσης. Για την επίτευξη της καλύτερης απόδοσης, συντάξαμε τα παρακάτω τα οποία πρέπει να διαβάσετε με προσοχή και να τηρήσετε με κάθε χρήση. Κατά τη σύνδεση, χρήση και συντήρηση του μηχανήματος λάβετε όλες τις δυνατές προφυλάξεις για τη διασφάλιση της ακεραιότητάς σας και όσων βρίσκονται κοντά. Διαβάστε με προσοχή και ακολουθήστε τις προδιαγραφές ασφαλείας καθώς εάν δεν τηρηθούν μπορούν να θέσουν σε κίνδυνο την υγεία και την ασφάλεια των ατόμων ή να προκαλέσουν οικονομικές ζημιές.

2 ΕΝΔΕΙΞΕΙΣ ΠΛΗΡΟΦΟΡΙΩΝ

2.1 Τηρείτε τις ενδείξεις που αναφέρονται στις πινακίδες και στα σύμβολα που υπάρχουν επάνω στο μηχάνημα και στις παρούσες οδηγίες.

Στο μηχάνημα και στο βιβλίο υπάρχουν μόνο τα σύμβολα που αφορούν το μηχάνημα που αγοράσατε. Να ελέγχετε ότι τα σύμβολα και οι πινακίδες που υπάρχουν στο μηχάνημα είναι πάντα ακέραια και ευανάγνωστα· σε αντίθετη περίπτωση αντικαταστήστε τα με άλλα τοποθετώντας τα στην ίδια θέση.

 Προσοχή - Κίνδυνος

 Διαβάστε προσεκτικά αυτές τις οδηγίες πριν από τη χρήση.

 Εικόνα E2 (εάν το σύμβολο υπάρχει στην εικ. 1) - Δείχνει ότι το μηχάνημα προορίζεται για επαγγελματική χρήση, δηλαδή για άτομα που έχουν εμπειρία, τεχνικές γνώσεις, γνωρίζουν τους κανονισμούς και τη νομοθεσία και είναι σε θέση να εκτελέσουν τις απαραίτητες ενέργειες για τη χρήση και τη συντήρηση του μηχανήματος. Το παρόν μηχάνημα δεν προορίζεται για χρήση από άτομα (περιλαμβανομένων των παιδιών) με μειωμένες φυσικές, αισθητήριες ή νοητικές ικανότητες, ή τα οποία δεν έχουν εμπειρία και γνώσεις.

 Κινούμενα όργανα. Μην αγγίζετε.

0 Θέση διακόπτη σβηστό

I Θέση διακόπτη αναμμένο

 Εγγυημένη στάθμη ηχητικής ισχύος



 Απαγόρευση, επισημαίνει στο χρήστη ότι οι εθνικοί κανονισμοί μπορεί να απαγορεύουν την σύνδεση του προϊόντος με το δίκτυο παροχής του πόσιμου νερού.



Σήμα κινδύνου, επισημαίνει στο χρήστη να μην κατευθύνει τη ροή του νερού προς ανθρώπους, ζώα, ηλεκτρικούς εξοπλισμούς ή προς το ίδιο το προϊόν.

 Το προϊόν αυτό ανήκει στην κλάση μόνωσης I. Αυτό σημαίνει ότι είναι εξοπλισμένο με έναν αγωγό προστασίας γείωσης (μόνον εάν το σύμβολο υπάρχει επάνω στο μηχάνημα).

CE Το προϊόν αυτό είναι συμβατό με τις σχετικές εφαρμοστέες Ευρωπαϊκές οδηγίες.



Εικόνα E1 - Δείχνει την υποχρέωση να **μην απορρίπτετε** το μηχάνημα ως αστικό απόβλητο. Μπορεί να παραδοθεί στον κατάστημα πώλησης κατά την αγορά ενός καινούριου μηχανήματος. Τα ηλεκτρικά και ηλεκτρονικά εξαρτήματα από τα οποία αποτελείται το μηχάνημα δεν πρέπει να επαναχρησιμοποιούνται για ανάρμοστες χρήσεις λόγω της παρουσίας επικίνδυνων ουσιών για την υγεία.

 Χρησιμοποιείτε ακουστικά προστασίας.

 Χρησιμοποιείτε μάσκα προστασίας.

 Χρησιμοποιείτε μέσα προστασίας του αναπνευστικού συστήματος.

 Χρησιμοποιείτε γάντια προστασίας.

 Χρησιμοποιείτε υποδήματα πρόληψης ατυχημάτων.

 Χρησιμοποιείτε ρούχα προστασίας.



3 ΠΡΟΔΙΑΓΡΑΦΕΣ ΑΣΦΑΛΕΙΑΣ/ΥΠΟΛΕΙΠΟΜΕΝΟΙ ΚΙΝΔΥΝΟΙ**3.1 ΠΡΟΕΙΔΟΠΟΙΗΣΕΙΣ: ΤΙ ΔΕΝ ΠΡΕΠΕΙ ΝΑ ΚΑΝΕΤΕ**

- 3.1.1 Προσοχη. ΜΗΝ επιτρέψετε τα παιδιά να χρησιμοποιούν το μηχάνημα, αλλά επιβλέψτε τα για να βεβαιωθείτε ότι δεν παίζουν με αυτό.
- 3.1.2 Προσοχη. Οι ροές υπό πίεση μπορούν να είναι επικίνδυνες εάν χρησιμοποιούνται ανάρμοστα.
- 3.1.3 Προσοχη. ΜΗΝ χρησιμοποιείτε το μηχάνημα με εύφλεκτα, τοξικά υγρά ή τα οποία έχουν χαρακτηριστικά μη συμβατά με τη σωστή λειτουργία του ίδιου του μηχανήματος. Απαγορεύεται η χρήση του μηχανήματος σε δυνητικά εύφλεκτη ή εκρηκτική ατμόσφαιρα.
- 3.1.4 Προσοχη. ΚΙΝΔΥΝΟΣ ΕΚΡΗΞΗΣ. ΜΗΝ βρέχετε εύφλεκτα υγρά.
- 3.1.5 Προσοχη. ΜΗΝ κατευθύνετε τη ροή του νερού προς άτομα ή ζώα.
- 3.1.6 Προσοχη. ΜΗΝ κατευθύνετε τη ροή του νερού προς το ίδιο το μηχάνημα, στα ηλεκτρικά εξαρτήματα ή σε άλλες ηλεκτρικές συσκευές.
- 3.1.7 Προσοχη. ΜΗΝ χρησιμοποιείτε το μηχάνημα εντός της ακτίνας στην οποία βρίσκονται άτομα που δεν φορούν ρουχισμό προστασίας.
- 3.1.8 Προσοχη. ΜΗΝ κατευθύνετε τη ροή προς το μέρος σας ή προς άλλα άτομα για να καθαρίσετε ρούχα ή υποδήματα.
- 3.1.9 Προσοχη. ΜΗΝ χρησιμοποιείτε το μηχάνημα σε εξωτερικούς χώρους σε περίπτωση βροχής.
- 3.1.10 Προσοχη. Η μηχανή ΔΕΝ πρέπει να τίθεται σε λειτουργία από παιδιά, από ανίκανα άτομα και από όσους δεν έχουν διαβάσει και κατανοήσει τις οδηγίες.
- 3.1.11 Προσοχη. ΜΗΝ αγγίζετε το βύσμα και/ή την πρίζα με βρεγμένα χέρια.
- 3.1.12 Προσοχη. ΜΗ χρησιμοποιείτε το μηχάνημα με κατεστραμμένο το ηλεκτρικό καλώδιο. Εάν το ηλεκτρικό καλώδιο καταστραφεί, πρέπει να αντικατασταθεί από τον παραγωγό, από ένα εξουσιοδοτημένο Σέρβις του ή από άτομα που είναι ειδικευμένα προς αποφυγή κινδύνων για την ασφάλεια.
- 3.1.13 Προσοχη. ΜΗΝ χρησιμοποιείτε το μηχάνημα εάν ένα καλώδιο τροφοδοσίας ή σημαντικά μέρη όπως π.χ. μέσα ασφαλείας, σωλήνες υψηλής πίεσης, πιστόλι, είναι κατεστραμμένα.
- 3.1.14 Προσοχη. ΜΗΝ μπλοκάρετε το λεβιέ του πιστολιού στη θέση λειτουργίας.



- 3.1.15 Προσοχη.** Ελέγχετε αν το μηχάνημα διαθέτει την πινακίδα με τα χαρακτηριστικά, σε αντίθετη περίπτωση ειδοποιήστε το κατάστημα πώλησης. Τα μηχανήματα που δεν διαθέτουν πινακίδα ΔΕΝ πρέπει να χρησιμοποιούνται, δεδομένου ότι είναι ανώνυμα και πιθανώς επικίνδυνα.
- 3.1.16 Προσοχη.** ΜΗΝ επεμβαίνετε και μην αλλάζετε τη διακρίβωση της βαλβίδας ρύθμισης και των διατάξεων ασφαλείας.
- 3.1.17 Προσοχη.** ΜΗΝ αλλάζετε την αρχική διάμετρο του πίδακα της κεφαλής.
- 3.1.18 Προσοχη.** ΜΗΝ μετακινείτε το μηχάνημα τραβώντας το ΗΛΕΚΤΡΙΚΟ ΚΑΛΩΔΙΟ.
- 3.1.19 Προσοχη.** Αποφύγετε τη διέλευση οχημάτων πάνω από το σωλήνα υψηλής πίεσης.
- 3.1.20 Προσοχη.** ΜΗΝ μετακινείτε το μηχάνημα τραβώντας το σωλήνα υψηλής πίεσης.
- 3.1.21 Προσοχη.** Η ροή υψηλής πίεσης επάνω σε ελαστικά, βαλβίδες ελαστικών και άλλα εξαρτήματα με πίεση μπορεί να είναι επικίνδυνη. Αποφύγετε τη χρήση του κιτ περιστρεφόμενου ακροφυσίου και σε κάθε περίπτωση διατηρείστε κατά το καθάρισμα μία απόσταση της ροής τουλάχιστον 30 cm.
- 3.1.22 Προσοχη.** Απαγορεύεται η χρήση μη γνήσιων ανταλλακτικών ή μη ειδικών για το μοντέλο αυτό. Απαγορεύεται να επιφέρετε τροποποιήσεις στο μηχάνημα· η εκτέλεση τροποποιήσεων ακυρώνει τη Δήλωση Συμμόρφωσης και απαλλάσσει τον κατασκευαστή από αστικές και ποινικές ευθύνες.
- 3.2 ΠΡΟΕΙΔΟΠΟΙΗΣΕΙΣ: ΤΙ ΠΡΕΠΕΙ ΝΑ ΚΑΝΕΤΕ**
- 3.2.1 Προσοχη.** Όλα τα εξαρτήματα που είναι αγωγοί ηλεκτρικού ρεύματος ΠΡΕΠΕΙ ΝΑ ΠΡΟΣΤΑΤΕΥΟΝΤΑΙ από τον πίδακα νερού.
- 3.2.2 Προσοχη.** Η ηλεκτρική σύνδεση θα πρέπει να εκτελεστεί από έναν εξειδικευμένο ηλεκτρολόγο σύμφωνα με το πρότυπο IEC 60364-1. Συνιστάται να προβλέψετε ένα διαφορικό διακόπτη που διακόπτει την ηλεκτρική τροφοδοσία στο παρόν μηχάνημα εάν το ρεύμα διαροής προς τη γείωση υπερβαίνει τα 30 mA για 30 ms, ή ένα μέσο ελέγχου του κυκλώματος γείωσης.
- 3.2.3 Προσοχη.** ΚΑΤΑ τη φάση εκκίνησης, το μηχάνημα μπορεί να προκαλέσει διαταραχές στο δίκτυο.
- 3.2.4 Προσοχη.** Η λειτουργία με ένα διαφορικό διακόπτη ασφαλείας προσφέρει επιπλέον ατομική προστασία (30 mA).
- 3.2.5 Προσοχη.** Στα μοντέλα που δεν διαθέτουν βύσμα η εγκατάσταση πρέπει να γίνει από ειδικευμένο προσωπικό.



- 3.2.6 Προσοχή.** Χρησιμοποιήστε μόνο εξουσιοδοτημένες ηλεκτρικές προεκτάσεις και με κατάλληλη διατομή αγωγιμότητας.
- 3.2.7 Προσοχή.** Να αποσυνδέετε πάντα τον διακόπτη όταν αφήνετε το μηχάνημα αφύλακτο.
- 3.2.8**  Προσοχή. Η υψηλή πίεση μπορεί να προκαλέσει την αναπήδηση εξαρτημάτων, γι' αυτό πρέπει να φοράτε όλα τα ρούχα και τις προστασίες που είναι κατάλληλες (PPE) για την ασφάλεια και την ακεραιότητα του χειριστή.
- 3.2.9 Προσοχή.** Πριν να κάνετε επεμβάσεις στο μηχάνημα, ΒΓΑΛΤΕ το φως από την πρίζα.
- 3.2.10 Προσοχή.** Λόγω του ότι υπάρχει η πιθανότητα κύλισης προς τα πίσω, πρέπει να ΚΡΑΤΑΤΕ το πιστόλι γερά όταν τραβάτε το λεβιέ.
- 3.2.11 Προσοχή.** ΤΗΡΕΙΤΕ τις προδιαγραφές του τοπικού οργανισμού παροχής ύδρευσης. Σύμφωνα με το πρότυπο IEC 60335-2-79 το μηχάνημα μπορεί να συνδεθεί απ' ευθείας στο εθνικό δίκτυο παροχής πόσιμου νερού μόνο εφόσον στο σωλήνα τροφοδοσίας τοποθετηθεί μία διάταξη αντιροής με εκκένωση του νερού τύπου ΒΑ συμβατή με το πρότυπο EN 12729. Μπορείτε να παραγγείλετε την συσκευή αντιροής από τον κατασκευαστή.
- 3.2.12 Προσοχή.** Το νερό που εισέρχεται στις συσκευές αντιροής δεν θεωρείται πόσιμο.
- 3.2.13 Προσοχή.** Η συντήρηση και/ή επισκευή των ηλεκτρικών τμημάτων ΠΡΕΠΕΙ να εκτελείται από εξειδικευμένο προσωπικό.
- 3.2.14 Προσοχή.** ΕΚΚΕΝΩΣΤΕ την υπολειπόμενη πίεση πριν αποσυνδέσετε το σωλήνα από το μηχάνημα.
- 3.2.15 Προσοχή.** ΕΛΕΓΧΕΤΕ πριν από κάθε χρήση και σε τακτά διαστήματα το σφίξιμο των βιδών και την καλή κατάσταση των τμημάτων του μηχανήματος, καθώς και αν υπάρχουν τμήματα σπασμένα ή τα οποία παρουσιάζουν φθορές.
- 3.2.16 Προσοχή.** ΧΡΗΣΙΜΟΠΟΙΕΙΤΕ μόνο απορρυπαντικά που είναι συμβατά με τα υλικά επένδυσης του σωλήνα υψηλής πίεσης / ηλεκτρικού καλωδίου.
- 3.2.17 Προσοχή.** ΚΡΑΤΑΤΕ τα άτομα και τα ζώα σε ελάχιστη απόσταση 15 μ.
- 3.2.18 Προσοχή.** Το παρόν μηχάνημα έχει σχεδιαστεί για να χρησιμοποιείται με απορρυπαντικά τα οποία παρέχονται ή συνιστώνται από τον κατασκευαστή. Η χρήση διαφορετικών απορρυπαντικών ή χημικών προϊόντων μπορεί να έχει αρνητική επίπτωση στην ασφάλειά του.



- 3.2.19 Προσοχή.** Αποφύγετε την επαφή του απορρυπαντικού με το δέρμα, ιδιαίτερα με τα μάτια! Σε περίπτωση επαφής με τα μάτια, ξεβγάλτε με καθαρό νερό και ζητήστε άμεσα ιατρική συμβουλή!
- 3.2.20 Προσοχή.** Οι σωλήνες υψηλής πίεσης, τα ρακόρ και οι συνδέσεις είναι σημαντικά στοιχεία για την ασφάλεια της μηχανής. Χρησιμοποιείτε αποκλειστικά σωλήνες υψηλής πίεσης, ρακόρ και συνδέσμους συνιστώμενους από τον κατασκευαστή.
- 3.2.21 Προσοχή.** Για να εξασφαλιστεί η ασφάλεια της μηχανής, χρησιμοποιείτε μόνο γνήσια ανταλλακτικά του κατασκευαστή ή εγκεκριμένα από τον ίδιο.
- 3.2.22 Προσοχή.** Εάν χρησιμοποιείται καλώδιο επέκτασης, το φως και η υποδοχή πρέπει να είναι στεγανά.
- 3.2.23 Προσοχή.** Τα ακατάλληλα καλώδια προέκτασης μπορούν να καταστούν επικίνδυνα. Εάν χρησιμοποιείτε καλώδιο προέκτασης, επιλέξτε έναν κατάλληλο τύπο για τη χρήση σε εξωτερικούς χώρους και βεβαιωθείτε ότι η σύνδεση παραμένει στεγνή και σε απόσταση από το έδαφος. Συνιστάται για το σκοπό αυτό η χρήση μιας περιέλιξης καλωδίου, που να διατηρεί την πρίζα σε απόσταση τουλάχιστον 60 mm από το έδαφος.
- 3.2.24 Προσοχή.** Σβήστε το μηχάνημα και αποσυνδέστε το από την πηγή τροφοδοσίας πριν κάνετε εργασίες τοποθέτησης, καθαρισμού, ρύθμισης, συντήρησης, αποθήκευσης και μεταφοράς.
- 3.2.25 Προσοχή.** Τοποθετήστε το κιτ καθαρισμού σωληνώσεων μέχρι την κόκκινη εγκοπή πριν ανάψετε το μηχάνημα.



4 ΓΕΝΙΚΕΣ ΠΛΗΡΟΦΟΡΙΕΣ (ΕΙΚ.1)/ΣΕΛΙΔΑ 3**4.1 Χρήση του εγχειριδίου**

Το παρόν εγχειρίδιο αποτελεί τμήμα του μηχανήματος, φυλάξτε το για μελλοντική αναφορά. Διαβάστε προσεκτικά πριν από την εγκατάσταση/χρήση. Σε περίπτωση μεταβίβασης της ιδιοκτησίας αυτός που παραχωρεί το μηχάνημα είναι υποχρεωμένος να παραδώσει το εγχειρίδιο στο νέο ιδιοκτήτη.

4.2 Παράδοση

Το μηχάνημα παραδίδεται στο εσωτερικό μιας συσκευασίας από χαρτόνι, αποσυρματιολογημένο εν μέρει.

Η σύνθεση του εξοπλισμού απεικονίζεται στην εικ. 1.

4.2.1 Συνοδευτικά έντυπα

- A1** Εγχειρίδιο χρήσης και συντήρησης
- A2** Οδηγίες για την ασφάλεια
- A3** Δήλωση συμμόρφωσης
- A4** Κανόνες εγγύησης

4.3 Διάθεση συσκευασίας

Τα υλικά από τα οποία αποτελείται η συσκευασία δεν μολύνουν το περιβάλλον, ωστόσο πρέπει να ανακυκλώνονται ή να διατίθενται σύμφωνα με τους ισχύοντες κανονισμούς στη χώρα όπου χρησιμοποιείται.

5 ΤΕΧΝΙΚΕΣ ΠΛΗΡΟΦΟΡΙΕΣ (ΕΙΚ.1)/ΣΕΛΙΔΑ 3**5.1 Προβλεπόμενη χρήση**

Το μηχάνημα προορίζεται για ατομική χρήση για τον καθαρισμό οχημάτων, μηχανημάτων, σκαφών, οικοδομικών εργασιών κλπ., για την αφαίρεση της επιμονής βρωμιάς με καθαρό νερό και βιοαποικοδομήσιμα χημικά απορρυπαντικά.

Το πλύσιμο κινητήρων οχημάτων επιτρέπεται μόνον εάν το ακάθατο νερό απορριφθεί σύμφωνα με τους ισχύοντες κανονισμούς.

- Θερμοκρασία νερού στην είσοδο: **βλέπε πινακίδα χαρακτηριστικών επάνω στο μηχάνημα.**

- Πίεση νερού στην είσοδο: **min. 0,1MPa - max. 1 MPa.**

- Θερμοκρασία περιβάλλοντος λειτουργίας: **μεγαλύτερη από 0°C.**

Το μηχάνημα είναι συμβατό με το πρότυπο IEC 60335-1 και IEC 60335-2-79.

5.2 Χειριστής

Για τον προσδιορισμό του αρμόδιου χειριστή για την χρήση του μηχανήματος (επαγγελματική ή μη επαγγελματική) δείτε την εικόνα που απεικονίζεται στην εικ. 1.

5.3 Κύρια μέρη

- B2** Εκτοξευτήρας
- B3** Πιστόλι με ασφάλεια
- B4** Ηλεκτρικό καλώδιο με βύσμα (όπου προβλέπεται)
- B5** Σωλήνας υψηλής πίεσης
- B6** Ντεπόζιτο απορρυπαντικού (όπου προβλέπεται)
- B7** Τάπα λαδιού (όπου προβλέπεται)
- E** Κεφαλή
- F** Ρυθμιστής απορρυπαντικού (όπου προβλέπεται)
- G** Ρυθμιστής πίεσης (όπου προβλέπεται)
- H** Διάταξη εκκίνησης
- L** Φίλτρο νερού

5.3.1 Εξαρτήματα (εάν προβλέπονται με τον εξοπλισμό - βλέπε εικ.1)

- | | |
|---|---------------------------------|
| C1 Εργαλείο καθαρισμού κεφαλής | C9 Αντάπτορας |
| C2 Κιτ περιστρεφόμενου ακροφυσίου | C10 Βίδες |
| C3 Μάνικα | C11 Βάσεις |
| C4 Βούρτσα | C12 Μαχλός |
| C5 Περιέλιξη σωλήνα | C13 Κιτ απορρυπαντικού |
| C6 Κιτ αναρρόφ. νερού | C14 Βούρτσα |
| C7 Κιτ καθαρισμού σωληνώσεων | C15 Σωλ. λιπαντικό γράσο |
| C8 Κιτ βούρτσας για μεγάλες επιφάνειες | C16 Μονόμετρο |
| | C17 Αντάπτορας |

5.4 Διατάξεις ασφαλείας

- Διατάξη εκκίνησης (H)

Η διάταξη εκκίνησης αποτρέπει την τυχαία χρήση του μηχανήματος.

**Προσοχή - κίνδυνος!**

Μην επεμβαίνετε και μην αλλάζετε τη διακριβωση της βαλβίδας ασφαλείας.

- Βαλβίδα ασφαλείας και/ή περιοριστής πίεσης.

Η βαλβίδα ασφαλείας είναι και περιοριστής πίεσης. Όταν κλείνει

το πιστόλι, η βαλβίδα ανοίγει και το νερό ανακυκλοφορεί από την αναρρόφηση της αντλίας ή εκκενώνεται στο έδαφος.

- Θερμοστατική βαλβίδα (D1 όπου προβλέπεται)

Εάν η θερμοκρασία του νερού υπερβεί τη θερμοκρασία που προβλέπεται από τον κατασκευαστή, η θερμοστατική βαλβίδα εκκενώνει το ζεστό νερό και αναρροφά μία ποσότητα κρύου νερού ίση με το νερό που εκκενώθηκε μέχρι να αποκατασταθεί η σωστή θερμοκρασία.

- Ασφάλεια (D): αποτρέπει την τυχαία ροή του νερού.

- Θερμική προστασία: σε περίπτωση υπερφόρτισης η θερμική προστασία σταματά το μηχάνημα.

6 ΕΓΚΑΤΑΣΤΑΣΗ (ΕΙΚ.2)/ΣΕΛΙΔΑ 4**6.1 Συναρμολόγηση****Προσοχή - κίνδυνος!**

Όλες οι εργασίες εγκατάστασης και συναρμολόγησης πρέπει να γίνονται με το μηχάνημα αποσυνδεδεμένο από το ηλεκτρικό δίκτυο.

Για τη σειρά συναρμολόγησης δείτε εικ.2.

6.2 Συναρμολόγηση των ταπών εξαέρωσης (όπου προβλέπεται)

Προς αποφυγή διαρροών λαδιού, το μηχάνημα παραδίδεται με τα στόμια εισαγωγής λαδιού κλειστά με τάπες κόκκινου χρώματος που πρέπει να αντικατασταθούν με τις τάπες εξαέρωσης που περιλαμβάνονται στον εξοπλισμό.

6.3 Συναρμολόγηση του περιστρεφόμενου ακροφυσίου

(Για τα μοντέλα που είναι εξοπλισμένα).

Το κιτ περιστρεφόμενου ακροφυσίου επιτρέπει την παροχή μιας μεγαλύτερης ισχύος πλύσιματος.

Η χρήση του περιστρεφόμενου ακροφυσίου μπορεί να συμπέσει με μία πτώση της πίεσης ίση με το 25% σε σχέση με την πίεση που επιτυγχάνεται με τη ρυθμιζόμενη κεφαλή. Σε κάθε περίπτωση η χρήση της επιτρέπει την παροχή μιας μεγαλύτερης ισχύος πλύσιματος χάρη στην περιστροφή της ροής νερού.

6.4 Ηλεκτρική σύνδεση**Προσοχή - κίνδυνος!**

Βεβαιωθείτε ότι το ηλεκτρικό δίκτυο αντιστοιχεί στο βολτάζ και στη συχνότητα (V-Hz) που αναγράφεται στην πινακίδα αναγνώρισης (εικ.2).

6.4.1 Χρήση καλωδίων προέκτασης

Χρησιμοποιήστε καλώδια και βύσματα με βαθμό προστασίας «IPX5».

Η διατομή των καλωδίων προέκτασης πρέπει να είναι ανάλογη με το μήκος της όσο μεγαλύτερο είναι το μήκος, τόσο μεγαλύτερη πρέπει να είναι η διατομή. Βλέπε πίνακα I.

6.5 Σύνδεση ύδρευσης**Προσοχή - κίνδυνος!**

Πρέπει να γίνεται αναρρόφηση μόνο φιλτραρισμένου ή καθαρού νερού. Η βρύση παροχής νερού πρέπει να εξασφαλίζει παροχή ίση με την ικανότητα της αντλίας.

Τοποθετήστε το μηχάνημα όσο το δυνατόν πιο κοντά στο δίκτυο παροχής ύδρευσης.

6.5.1 Στόμια σύνδεσης

● Εξόδος νερού (OUTLET)

■ Είσοδος νερού με φίλτρο (INLET)

6.5.2 Σύνδεση στο εθνικό δίκτυο ύδρευσης

Το μηχάνημα μπορεί να συνδεθεί απ' ευθείας στο εθνικό δίκτυο παροχής πόσιμου νερού μόνο εφόσον στο σωλήνα προφοδοσίας τοποθετηθεί μία διάταξη αντροής με εκκένωση του νερού συμβατή με τους ισχύοντες κανονισμούς. Βεβαιωθείτε ότι το σωλήνας είναι τουλάχιστον \varnothing 13 mm, ότι είναι ενισχυμένος και ότι δεν έχει ένα μήκος μεγαλύτερο από 25 m.

6.5.3 Αναρρόφηση νερού από ανοιχτά δοχεία

1) Βιδώστε το σωλήνα αναρρόφησης με το φίλτρο στην είσοδο του νερού (INLET) και βυθίστε τον στον πάτο του δοχείου.

2) Εξεβρώστε το μηχάνημα:

a) Ξεβιδώστε τον εκτοξευτήρα.

β) Θέστε σε εκκίνηση το μηχάνημα και ανοίξτε το πιστόλι μέχρι που να μην υπάρχουν φυσαλίδες αέρα στο νερό που βγαίνει.

3) Σβήστε το μηχάνημα και ξαναβιδώστε τον εκτοξευτήρα.

Σημείωση: το μέγιστο ύψος αναρρόφησης είναι 0,5 m. Συστάται

να γεμίσετε το σωλήνα αναρρόφησης πριν από τη χρήση.

7 ΡΥΘΜΙΣΕΙΣ (ΕΙΚ.3)/ΣΕΛΙΔΑ 5

- 7.1 Ρύθμιση της κεφαλής** (όπου προβλέπεται)
Χρησιμοποιήστε την κεφαλή (E) για να ρυθμίσετε τη ροή του νερού.
- 7.2 Ρύθμιση παροχής απορρυπαντικού**
Για να χορηγήσετε το απορρυπαντικό στη σωστή πίεση, θέστε τη κεφαλή (E) (όπου προβλέπεται) στη θέση "■" ή αναρρολογήστε το κит καθαρισμού (C13) (όπου προβλέπεται) όπως υποδεικνύεται στην εικόνα. Χρησιμοποιήστε το ρυθμιστή (F) για να οπισθοκινήσετε την ποσότητα απορρυπαντικού που θα χορηγήσετε (όπου προβλέπεται).
- 7.3 Ρύθμιση πίεσης λειτουργίας** (όπου προβλέπεται)
Χρησιμοποιήστε το ρυθμιστή (G) για να αλλάξετε την πίεση λειτουργίας. Η πίεση αναφέρεται στο μανόμετρο (εάν υπάρχει).

8 ΠΛΗΡΟΦΟΡΙΕΣ ΓΙΑ ΤΗ ΧΡΗΣΗ (ΕΙΚ.4)/ΣΕΛΙΔΑ 5

- 8.1 Χειριστήρια**
- Διάταξη εκκίνησης (H).
Βάλτε τη διάταξη εκκίνησης στη θέση (ON/I) για:
α) να θέσετε σε εκκίνηση τον κινητήρα (στα μοντέλα χωρίς διάταξη TSS)
β) να προσιομάσετε τη λειτουργία του κινητήρα (στα μοντέλα που διαθέτουν διάταξη TSS).
Εάν η διάταξη εκκίνησης διαθέτει λυχνία, αυτή πρέπει να ανάψει.
Βάλτε τη διάταξη εκκίνησης στη θέση (OFF/0) για να σταματήσετε τη λειτουργία του μηχανήματος.
Εάν η διάταξη εκκίνησης διαθέτει λυχνία, αυτή πρέπει να σβήσει.

- Μοχλός εντολής ροής νερού (I).
Προσοχή - κίνδυνος!
Το **μηχάνημα** πρέπει να λειτουργεί τοποθετημένο σε μία ασφαλή και σταθερή επίπεδη επιφάνεια, όπως φαίνεται στην **εικ. 4**.

- 8.2 Εκκίνηση** (βλέπε **εικ. 4**)
Ανοίξτε εντελώς τη βρύση του δικτύου υδροδότησης.
2) Αποσυνδέστε την ασφάλεια (D).
3) Κρατήστε το πιστόλι ανοιχτό για μερικά δευτερόλεπτα και θέστε σε εκκίνηση το μηχάνημα με τη διάταξη εκκίνησης (ON/I).

Προσοχή - κίνδυνος!
Πριν να θέσετε σε λειτουργία το μηχάνημα, βεβαιωθείτε ότι τροφοδοτείται κατάλληλα με νερό, η χρήση του χωρίς νερό καταστρέφει το μηχάνημα, κατά τη λειτουργία του μην καλύπτετε τις γρίλιες αερισμού.

Μοντέλα TSS - Στα μοντέλα TSS, με αυτόματη διακοπή της παροχής:
- **κλείνοντας** το πιστόλι, η δυναμική πίεση σβήνει αυτόματα τον ηλεκτροκινητήρα
- **ανοίγοντας** το πιστόλι, η πτώση της πίεσης ξεκινά αυτόματα τον κινητήρα και η πίεση αναμορφώνεται με μία πολύ μικρή καθυστέρηση
- για μία σωστή λειτουργία του TSS, οι ενέργειες **κλεισίματος** και **ανοίγματος** του πιστολιού **δεν** πρέπει να γίνονται μέσα σε χρονικό διάστημα **μικρότερο** από 4÷5 δευτερόλεπτα.

Για να μην προκληθούν φθορές στο μηχάνημα αποφύγετε τη λειτουργία του χωρίς νερό και ελέγχετε ότι το μηχάνημα είναι πάντα κατάλληλα τροφοδοτημένο με νερό.
Για τα μοντέλα χωρίς TSS για να μην προκληθούν φθορές στο μηχάνημα που οφείλονται στην αύξηση της θερμοκρασίας του νερού, μην διακόπτετε, με τη μηχανή σε λειτουργία, τη ροή νερού για μία περίοδο μεγαλύτερη από 5 λεπτά.

- 8.3 Σταμάτημα**
1) Βάλτε τη διάταξη εκκίνησης στη θέση (OFF/0).
2) Ανοίξτε το πιστόλι και εκκενώστε την πίεση στο εσωτερικό των σωληνώσεων.
3) Εισάγετε την ασφάλεια (D).
- 8.4 Επανεκκίνηση**
1) Αποσυνδέστε την ασφάλεια (D).
2) Ανοίξτε το πιστόλι και αφήστε να εκκενωθεί ο αέρας που υπάρχει στο εσωτερικό των σωληνώσεων.
3) Βάλτε τη διάταξη εκκίνησης στη θέση (ON/I).

- 8.5 Θέση εκτός λειτουργίας**
1) Κλείστε τη βρύση του νερού.
2) Εκκενώστε την υπολειπόμενη πίεση από το πιστόλι μέχρι να βγει

- όλο το νερό από το μηχάνημα.
3) Σβήστε το μηχάνημα (OFF/0).
4) Βγάλτε το φικ από την πρίζα.
5) Αδειάστε και πλύνετε το νεποζίτο απορρυπαντικού στο τέλος της εργασίας. Για το πλύσιμο του νεποζίτου χρησιμοποιείστε καθαρό νερό στη θέση του απορρυπαντικού.
6) Εισάγετε την ασφάλεια (D) του πιστολιού.

- 8.6 Ανεφοριασμός και χρήση του απορρυπαντικού**
Το απορρυπαντικό πρέπει να παρέχεται με τα εξαρτήματα και σύμφωνα με τους τρόπους που προβλέπονται στο σημείο 7.3.

Η χρήση ενός σωλήνα υψηλής πίεσης με μεγαλύτερο μήκος από τον αρχικό που παρέχεται με το μηχάνημα ή η χρήση μιας προέκτασης πρόσθετου σωλήνα μπορεί να μειώσει ή να σταματήσει εντελώς την αναρρόφηση του απορρυπαντικού από το νεποζίτο (όπου προβλέπεται).
Γεμίστε το νεποζίτο (B6) με απορρυπαντικό υψηλής βιοαποικοδόμησης.

- 8.7 Συμβουλές για τη σωστή πλύση**
Διαλύστε τη βρωμιά τοποθετώντας επάνω στην στεγνή επιφάνεια το απορρυπαντικό. Επάνω στις κόβτες επιφάνειες ενεργεί από κάτω προς τα πάνω. Αφήστε να ενεργήσει για 1=2 λεπτά, χωρίς να αφήσετε όμως να στεγνώσει η επιφάνεια. Χρησιμοποιήστε με τη ροή υψηλής πίεσης σε μία απόσταση μεγαλύτερη από 30 cm, αρχίζοντας από κάτω. Φροντίστε ώστε τα νερά από το ξέβγαγμα να μην τρέχουν επάνω στις επιφάνειες που δεν έχουν πλυθεί.
Σε ορισμένες περιπτώσεις για να αφαιρέσετε την ακαθαρσία είναι απαραίτητη η μηχανική δράση των βουρτσών πλυσίματος.
Η υψηλή πίεση δεν είναι πάντα η καλύτερη λύση για ένα καλό πλύσιμο, καθώς μπορεί να καταστρέψει ορισμένες επιφάνειες. Συνιστάται να αποφευχθεί η χρήση της ροής ακίδας της ρυθμιζόμενης κεφαλής και τη χρήση του περιστρεφόμενου ακροφυσίου επάνω σε ευαίσθητα και βαμμένα μέρη και επάνω σε εξαρτήματα με πίεση (π.χ. ελαστικά, βαλβίδες φουσκώματος...)
Μια καλή πλυτική δράση εξαρτάται κατά ίση αναλογία από την πίεση και από τον όγκο του νερού.

9 ΣΥΝΤΗΡΗΣΗ (ΕΙΚ.5)/ΣΕΛΙΔΑ 6

Όλες οι επεμβάσεις συντήρησης που δεν περιλαμβάνονται στο παρόν κεφάλαιο πρέπει να γίνονται σε ένα εξουσιοδοτημένο Κέντρο πώλησης και Τεχνικής Υποστήριξης.

Προσοχή - κίνδυνος!
Πριν να κάνετε οποιαδήποτε επέμβαση στο μηχάνημα, **βγάλτε το φικ από την πρίζα** ρεύματος.

- 9.1 Καθαρισμός της κεφαλής**
1) Αποσυναρμολογήστε τον εκτοξευτήρα από το πιστόλι.
2) Απομακρύνετε την ακαθαρσία από την οπή της κεφαλής με το εργαλείο (C1).
- 9.2 Καθαρισμός του φίλτρου**
Ελέγξτε το φίλτρο αναρρόφησης (L) και το φίλτρο απορρυπαντικού (όπου προβλέπεται) πριν από κάθε χρήση και, σε περίπτωση που είναι απαραίτητο, προχωρήστε στο καθαρίσμά τους αναφέρεται.
- 9.3 Απεμπλοκή κινητήρα** (όπου προβλέπεται)
Σε περίπτωση παρατεταμένων στάσεων, αλτοίχα ιζήματα μπορούν να προκαλέσουν την εμπλοκή του κινητήρα. Για να ξεμπλοκάρετε τον κινητήρα γυρίστε τον άξονα του κινητήρα με το εργαλείο (M).
- 9.4 Συμπλήρωση λαδιού** (όπου προβλέπεται)
Συμπληρώστε με λάδι από την οπή εισαγωγής μέχρι να επαναφερθεί τη σωστή στάθμη.
Για τα χαρακτηριστικά του λαδιού δείτε τον πίνακα "Τεχνικά Στοιχεία".
Συνιστάται η αντικατάσταση του λαδιού κάθε 500 ώρες χρήσης.
- 9.5 Φύλαξη**
Πριν από τη χειμερινή αποθήκευση, βάλτε το μηχάνημα να λειτουργήσει με μη επιθετικό και μη τοξικό αντιπαγωτικό υγρό. Τοποθετήστε τη συσκευή σε στεγνό μέρος και προστατευμένο από τον παγετό.

10 ΑΠΟΘΗΚΕΥΣΗ ΚΑΙ ΜΕΤΑΦΟΡΑ (ΕΙΚ.5)/ΣΕΛΙΔΑ 6

Αποθηκεύστε τα εξαρτήματα όπως προβλέπεται στην **εικ. 5**.
Μεταφέρετε το μηχάνημα όπως προβλέπεται στην **εικ. 5**.

12 ΠΩΣ ΔΕΝ ΘΑ ΠΡΟΚΑΛΕΣΕΤΕ ΖΗΜΙΑ ΣΤΙΣ ΕΠΙΦΑΝΕΙΕΣ**ΠΡΟΣΟΧΗ**

- 12.1 Η χρήση του μηχανήματος για το πλύσιμο των ελαστικών μπορεί να προκαλέσει ζημιά στα ελαστικά και να καταστεί επικίνδυνη.
- 12.2 Μην στρέψετε τη ροή υψηλής πίεσης απ' ευθείας επάνω στο ελαστικό.
- 12.3 Χρησιμοποιείτε πάντα το μηχανήμα στην πιο χαμηλή πίεση όταν κάνετε χειρισμούς καθαρισμού κοντά στις ρόδες και τα ελαστικά.
- 12.4 Μην χρησιμοποιείτε ποτέ τον "Εκτοξευτήρα τούρμμο" για να πλένετε ένα οποιοδήποτε μέρος του οχήματος.
- 12.5 Για περαιτέρω πληροφορίες διαβάστε το μέρος: **"8.7 Συμβουλές για τη σωστή πλύση"**.

**Δήλωση συμμόρφωσης EK**

Εμείς η Annoni Reverberi S.p.A., Μοντενα, Ιταλία, δηλώνουμε ότι το(τα) ακόλουθο(α) μηχανήμα(τα) De Walt:

Όνομασία του μηχανήματος	Πλυστικό μηχανήμα υψηλής πίεσης			
Αρ. μοντέλου	DXPW 004 E	DXPW 005 E	DXPW 006 E	DXPW 007 E
Απορροφούμενη ισχύς	3 kW	5 kW	5 kW	7,4 kW

είναι συμβατό(ά) με τις ακόλουθες ευρωπαϊκές οδηγίες:

2006/42/ΕΚ, 2014/35/ΕΕ, 2011/65/ΕΕ, 2015/863/ΕΕ, 2012/19/ΕΕ, 2014/30/ΕΕ, 2000/14/ΕΚ (Ν. Δ/μα 262/2002).

και παράγεται(ονται) σύμφωνα με τα παρακάτω πρότυπα ή τα παρακάτω τυποποιημένα έγγραφα:

EN 60335-1, EN 60335-2-79, EN 55014-1, EN 55014-2, EN 61000-3-2, EN 61000-3-3, EN 61000-3-11, EN 60704-1, EN 62233, EN IEC 63000

Όνομα και διεύθυνση του υπεύθυνου για τη χορήγηση του τεχνικού φακέλου: Stefano Reverberi / AR Managing Director

Via ML King, 3 - 41122 Μοντενα, Ιταλία,

Η διαδικασία αξιολόγησης της συμμόρφωσης η οποία απαιτείται από την οδηγία 2000/14/ΕΚ έχει εκτελεστεί σύμφωνα με το Παράρτημα V

Αρ. μοντέλου	DXPW 004 E	DXPW 005 E	DXPW 006 E	DXPW 007 E
Μετρηθείσα στάθμη ηχητικής ισχύος:	93,5 dB (A)	93,9 dB (A)	93,9 dB (A)	94,4 dB (A)
Εγγυημένη στάθμη ηχητικής ισχύος:	96 dB (A)	96 dB (A)	96 dB (A)	97 dB (A)

Ημερομηνία : 04.03.2022

MONTENA (I)

Stefano Reverberi


Managing Director

Εγγύηση

Η ισχύς της εγγύησης ρυθμίζεται σύμφωνα με τους κανονισμούς που ισχύουν στη χώρα στην οποία διακινείται η εμπορία του προϊόντος (εκτός εάν οριστεί διαφορετικά από τον παραγωγό).

Εάν το προϊόν είναι ελαττωματικό λόγω της ποιότητας των υλικών, λόγω κατασκευής ή λόγω μη συμμόρφωσης κατά την περίοδο ισχύος της εγγύησης ο κατασκευαστής εγγυάται την αντικατάσταση των ελαττωματικών μερών, προνοεί για την επίσκεψή των προϊόντων εάν η φθορά είναι λογική ή για την αντικατάστασή τους.

Η εγγύηση δεν καλύπτει εξαρτήματα τα οποία υπόκεινται σε συνήθη φθορά (βαλβίδα, έμβολο, παρέμβυσμα νερού, παρέμβυσμα λαδιού, ελατήρια, δακτύλιους OR, εξαρτήματα όπως σωλήνας, πιστόλι, βούρτσες, ρόδες, κλπ.)

Η εγγύηση δεν καλύπτει ελαττώματα τα οποία προκαλούνται από ή προκύπτουν από:

- ανάρμωση χρήση, μη επιτρεπτή χρήση, αμέλεια,
- ενοικίαση ή επαγγελματική χρήση εφόσον το προϊόν έχει πωληθεί για οικιακή χρήση,
- μη τήρηση των κανόνων συντήρησης που προβλέπονται στο σχετικό βιβλίο,
- επισκευές που έχουν εκτελεστεί από μη εξουσιοδοτημένο προσωπικό ή κέντρα υποστήριξης,
- χρήση μη γνήσιων ανταλλακτικών ή εξαρτημάτων,
- ζημιές προκαλούμενες από την μεταφορά, από ξένα αντικείμενα ή ουσίες, ατύχημα,
- προβλήματα αποθήκευσης ή αποθεματοποίησης.

Για την ενεργοποίηση της εγγύησης είναι απαραίτητη η επίδειξη της απόδειξης αγοράς.

Για υποστήριξη, Σελίδα: 285.

Τεχνικά Στοιχεία

Τεχνικά στοιχεία	Μονάδες	DXPW 004 E	DXPW 005 E	DXPW 006 E	DXPW 007 E
Παροχή	l/min	10	13,5	15	14
Μέγιστη παροχή	l/min	-	-	-	-
Πίεση	MPa	12	18	15	21
Μέγιστη πίεση	MPa	15	20	17	23
Ισχύς	kW	3	5	5	7,4
Μέγιστη θερμοκρασία τροφοδοσίας	°C	60	60	60	60
Μέγιστη πίεση τροφοδοσίας	MPa	1	1	1	1
Δύναμη ανάκρουσης του πιστολιού στη μέγιστη πίεση	N	24,30	40,10	40,70	44,90
Τύπος λαδιού αντλίας	kg	-	-	-	-
Βαθμός προστασίας	-	$\parallel \perp$	$\parallel \perp$	$\parallel \perp$	$\parallel \perp$
Μόνωση κινητήρα	Κλάση	F	F	F	F
Προστασία κινητήρα	-	IPX5	IPX5	IPX5	IPX5
Τάση	V/Hz	230/50 1~	400/50 3~	400/50 3~	400/50 3~
Μέγιστη επιτρεπτή σύνθετη αντίσταση δικτύου	Ω	-	-	-	-
Στάθμη ακουστικής πίεσης L_{pk} (EN 60704-1) (K = 2,5 dB(A))	dB (A)	82,1	82,5	82,5	83
Στάθμη ηχητικής ισχύος L_{WA} (EN 60704-1) (K = 2,5 dB(A))	dB (A)	96	96	96	97
Κραδασμοί της συσκευής (K = 1 m/s ²):	m/s ²	<2,5	<2,5	<2,5	<2,5
Βάρος	kg	38	40	40	64

Με την επιφύλαξη τεχνικών τροποποιήσεων!

1 INSTRUCCIONES SOBRE SEGURIDAD

- 1.1** La máquina que ha adquirido es un producto tecnológicamente muy avanzado, realizado por uno de los mayores expertos europeos en la fabricación de hidrolimpiadoras de alta presión. Hemos redactado este documento para que usted pueda sacarle el máximo rendimiento a la máquina: léalo atentamente y siga las instrucciones cada vez que la utilice. Durante la conexión, el uso y el mantenimiento de la máquina, tome todas las precauciones posibles para proteger su propia integridad física y la de cualquier otra persona que se encuentre en las inmediaciones. Es fundamental leer atentamente y respetar las normas de seguridad, ya que su inobservancia puede crear riesgos para la salud y seguridad de las personas o provocar daños económicos.

2 SEÑALES DE INFORMACIÓN

- 2.1** Respetar las disposiciones indicadas en las señales, las placas y los símbolos aplicados a la máquina e incluidas en estas instrucciones. Tanto en la máquina como en este manual de instrucciones aparecen solo los símbolos correspondientes a la máquina comprada. Verificar que las placas y los símbolos aplicados a la máquina siempre estén íntegros y que sean perfectamente legibles; de no ser así, sustituirlos sin modificar su posición original.

 Atención: peligro

 Leer atentamente estas instrucciones antes de usar el equipo.

 Icono E2 (si el símbolo aparece en la fig. 1). Indica que la máquina se destina a un uso profesional, es decir, a personas que tienen los conocimientos técnicos, normativos y legales, la experiencia y la capacidad para llevar a cabo las actividades necesarias para utilizar y hacer el mantenimiento de la máquina. La presente máquina no deberá ser utilizada por personas (incluidos los niños) con capacidades psicofísicas o sensoriales reducidas o que no dispongan de la experiencia y los conocimientos necesarios.

 Órganos en movimiento. No tocar.

0 Posición de interruptor apagado

I Posición de interruptor encendido

 Nivel de potencia acústica garantizado



 Prohibición: le indica al usuario que es posible que las normas nacionales prohíban la conexión del producto a la red de abastecimiento de agua potable.

 Señal de peligro: le indica al usuario que no dirija el chorro de agua hacia personas, animales, equipos eléctricos ni contra el producto mismo.

 Este producto lleva aislamiento de Clase I, lo que significa que está equipado con un conductor de protección de puesta a tierra (solo si el símbolo está presente en la máquina).

 Este producto cumple con las directivas europeas aplicables en la materia.

 Icono E1. Indica que la máquina **no se puede eliminar** como residuo urbano; se le puede entregar al distribuidor al comprar una máquina nueva. Las partes eléctricas y electrónicas que constituyen la máquina no deben reutilizarse para usos impropios, dada la presencia de sustancias nocivas para la salud.

 Llevar auriculares de protección.

 Llevar máscara de protección.

 Llevar equipos de protección respiratoria.

 Llevar guantes de protección.

 Llevar calzado de seguridad.

 Llevar ropa de protección.



3 NORMAS DE SEGURIDAD / RIESGOS RESIDUALES

3.1 ADVERTENCIAS: OPERACIONES QUE NO DEBEN EFECTUARSE

- 3.1.1 ATENCIÓN. NO permitir que los niños utilicen la máquina y vigilarlos para impedir que jueguen con ella.
- 3.1.2 ATENCIÓN. Los chorros a presión pueden ser peligrosos si se utilizan de modo impropio.
- 3.1.3 ATENCIÓN. NO utilizar la máquina con fluidos inflamables, tóxicos o cuyas características sean incompatibles con el correcto funcionamiento de dicha máquina. Está prohibido utilizar la máquina en atmósferas potencialmente inflamables o explosivas.
- 3.1.4 ATENCIÓN. PELIGRO DE EXPLOSIÓN. NO rociar líquidos inflamables.
- 3.1.5 ATENCIÓN. NO dirigir el chorro de agua hacia personas o animales.
- 3.1.6 ATENCIÓN. NO dirigir el chorro de agua hacia la máquina misma o sus componentes eléctricos ni hacia otros equipos eléctricos.
- 3.1.7 ATENCIÓN. NO utilizar la máquina en el radio en que se encuentren personas desprovistas de ropa de protección.
- 3.1.8 ATENCIÓN. NO dirigir el chorro contra sí mismo ni contra otras personas para limpiar ropa o calzado.
- 3.1.9 ATENCIÓN. NO utilizar la máquina al aire libre en caso de lluvia.
- 3.1.10 ATENCIÓN. La máquina NO puede ser accionada por niños, personas discapacitadas o personas que no hayan leído y comprendido las instrucciones.
- 3.1.11 ATENCIÓN. NO tocar el enchufe ni la toma eléctrica con las manos mojadas.
- 3.1.12 ATENCIÓN. NO utilizar la máquina si el cable eléctrico está dañado. Si el cable eléctrico está dañado, deberá ser sustituido por el fabricante o uno de sus centros de asistencia autorizados, o bien por una persona debidamente cualificada, a fin de evitar riesgos para la seguridad.
- 3.1.13 ATENCIÓN. NO utilizar la máquina si está dañado un cable de alimentación o piezas importantes tales como los dispositivos de seguridad, los tubos de alta presión o la pistola.
- 3.1.14 ATENCIÓN. NO bloquear el gatillo de la pistola en la posición de funcionamiento.
- 3.1.15 ATENCIÓN. Comprobar que la máquina lleve la placa de datos; en caso contrario, informar al distribuidor. Las máquinas desprovistas de placa NO deben utilizarse, ya que se desconocen sus datos y características y, por tanto, son potencialmente peligrosas.



- 3.1.16 ATENCIÓN.** NO alterar ni modificar la calibración de la válvula de regulación ni de los dispositivos de seguridad.
- 3.1.17 ATENCIÓN.** NO modificar el diámetro original del chorro de la boquilla.
- 3.1.18 ATENCIÓN.** NO desplazar la máquina tirando del CABLE ELÉCTRICO.
- 3.1.19 ATENCIÓN.** Evítese el tránsito de vehículos sobre el tubo de alta presión.
- 3.1.20 ATENCIÓN.** NO desplazar la máquina tirando del tubo de alta presión.
- 3.1.21 ATENCIÓN.** Puede ser peligroso aplicar el chorro de alta presión sobre neumáticos, válvulas de neumáticos y otros componentes bajo presión. No usar el kit de la boquilla giratoria y, en cualquier caso, mantener el chorro a una distancia de 30 cm como mínimo durante la limpieza.
- 3.1.22 ATENCIÓN.** Está prohibido utilizar accesorios no originales o no específicos para el modelo. Está prohibido modificar la máquina; la realización de modificaciones invalida la declaración de conformidad y exime al fabricante de responsabilidades civiles y penales.
- 3.2 ADVERTENCIAS: OPERACIONES QUE DEBEN EFECTUARSE**
- 3.2.1 ATENCIÓN.** Todos los componentes conductores de corriente DEBEN ESTAR PROTEGIDOS contra el chorro de agua.
- 3.2.2 ATENCIÓN.** La conexión eléctrica deberá ser realizada por un electricista cualificado de conformidad con lo dispuesto por la norma IEC 60364-1. Se recomienda instalar un interruptor diferencial que interrumpa la alimentación eléctrica de la máquina si la corriente de dispersión a tierra supera los 30 mA por 30 ms, o bien un dispositivo de control del circuito de tierra.
- 3.2.3 ATENCIÓN.** DURANTE la fase de arranque, la máquina puede crear interferencias en la red.
- 3.2.4 ATENCIÓN.** El funcionamiento con un interruptor diferencial de seguridad ofrece una protección personal adicional (30 mA).
- 3.2.5 ATENCIÓN.** En los modelos desprovistos de enchufe, la instalación debe ser efectuada por personal cualificado.
- 3.2.6 ATENCIÓN.** Utilizar solo cables alargadores autorizados y con un conductor de sección apropiada.
- 3.2.7 ATENCIÓN.** Desconectar siempre el interruptor cuando se va a dejar la máquina sin supervisión.



3.2.8



ATENCIÓN. La alta presión puede provocar el rebote de piezas. Usar todas las prendas y protecciones (EPI) necesarias para garantizar la seguridad y la integridad física del operador.

3.2.9 ATENCIÓN. EXTRAER el enchufe de la toma de corriente antes de efectuar trabajos en la máquina.

3.2.10 ATENCIÓN. Se debe EMPUÑAR la pistola firmemente al accionar el gatillo, a causa de la fuerza de retroceso.

3.2.11 ATENCIÓN. RESPETAR las disposiciones establecidas por el ente local de abastecimiento de agua potable. Según la norma IEC 60335-2-79, la máquina se puede conectar directamente a la red pública de distribución de agua potable solo si en la tubería de alimentación está instalado un dispositivo de protección contra el reflujo con zona de presión reducida de tipo BA, de conformidad con la norma EN 12729. El dispositivo de protección contra el reflujo se le puede pedir al fabricante.

3.2.12 ATENCIÓN. El agua que refluye a los dispositivos de protección contra el reflujo no se considera potable.

3.2.13 ATENCIÓN. El mantenimiento y la reparación de componentes eléctricos DEBEN ser efectuados por personal cualificado.

3.2.14 ATENCIÓN. DESCARGAR la presión residual antes de desconectar el tubo de la máquina.

3.2.15 ATENCIÓN. Antes de cada uso y periódicamente, COMPROBAR el apriete de los tornillos y el buen estado de los componentes de la máquina. Comprobar si hay piezas rotas o desgastadas.

3.2.16 ATENCIÓN. UTILIZAR solo detergentes compatibles con los materiales de revestimiento del tubo de alta presión / cable eléctrico.

3.2.17 ATENCIÓN. Las personas y los animales DEBEN PERMANECER a una distancia mínima de 15 m.

3.2.18 ATENCIÓN. Esta máquina ha sido diseñada para usarse con los detergentes suministrados o recomendados por el fabricante. El uso de detergentes o productos químicos diferentes puede perjudicar su seguridad.

3.2.19 ATENCIÓN. Evitar que el detergente entre en contacto con la piel y especialmente con los ojos! ¡En caso de contacto con los ojos, enjuagarlos con agua limpia y solicitar asistencia médica inmediatamente!



- 3.2.20 ATENCIÓN.** Los tubos de alta presión, los racores y las juntas son importantes para la seguridad de la máquina. Utilizar exclusivamente tubos de alta presión, juntas y racores recomendados por el fabricante.
- 3.2.21 ATENCIÓN.** Para garantizar la seguridad de la máquina, utilizar solo recambios originales o aprobados por el fabricante.
- 3.2.22 ATENCIÓN.** De utilizarse una alargadera de corriente con la máquina, tanto el enchufe como su toma de corriente deberán ser de tipo impermeable.
- 3.2.23 ATENCIÓN.** Los cables alargadores inadecuados pueden ser fuente de peligro. Si se emplea un cable alargador, elegir un tipo adecuado para el uso al aire libre y asegurarse de que la conexión permanezca seca y alejada del terreno. Para tal fin, se recomienda utilizar un enrollador de cable que mantenga la toma como mínimo a 60 mm del suelo.
- 3.2.24 ATENCIÓN.** Apagar la máquina y desconectarla de la fuente de alimentación antes de realizar operaciones de montaje, limpieza, ajuste, mantenimiento, almacenamiento y transporte.
- 3.2.25 ATENCIÓN.** Introducir el kit de limpieza de tuberías hasta la muesca roja antes de encender la máquina.



4 INFORMACIÓN DE CARÁCTER GENERAL (FIG. 1)/PÁGINA 3**4.1 Uso del manual**

El presente manual es parte integrante de la máquina y debe guardarse para poder consultarlo en el futuro. Leerlo atentamente antes de la instalación y el uso. En caso de cambio de propiedad, el vendedor tiene la obligación de entregar este manual al nuevo propietario.

4.2 Entrega

La máquina se entrega parcialmente desmontada dentro de un embalaje de cartón.

Las piezas que componen el suministro se ilustran en la fig. 1.

4.2.1 Documentación adjunta

- A1** Manual de uso y mantenimiento
- A2** Instrucciones sobre seguridad
- A3** Declaración de conformidad
- A4** Normas de garantía

4.3 Eliminación/reciclaje de los embalajes

Los materiales que forman el embalaje no son contaminantes para el medio ambiente; sin embargo, se deben reciclar o eliminar de conformidad con las normas vigentes en el país donde se utiliza.

5 INFORMACIÓN TÉCNICA (FIG. 1)/PÁGINA 3**5.1 Uso previsto**

La máquina se dirige a particulares y se destina a la limpieza de vehículos, máquinas, barcos, obras de albañilería, etc., a fin de eliminar la suciedad difícil con agua limpia y detergentes químicos biodegradables.

Está permitido lavar motores de vehículos únicamente a condición de que el agua sucia se elimine de conformidad con las normas vigentes.

- Temperatura del agua entrante: **véase la placa de datos de la máquina.**
- Presión del agua entrante: **mín. 0,1 MPa - máx. 1 MPa.**
- Temperatura ambiente de funcionamiento: **superior a 0 °C.**

La máquina cumple con lo establecido por las normas IEC 60335-1 e IEC 60335-2-79.

5.2 Operador

Para identificar al tipo de operador encargado de utilizar la máquina (profesional o no profesional), consultar el icono que aparece en la fig. 1.

5.3 Elementos principales

- B2** Lanza
- B3** Pistola con seguro
- B4** Cable eléctrico con enchufe (si está previsto)
- B5** Tubo de alta presión
- B6** Depósito de detergente (si está previsto)
- B7** Tapón de aceite (si está previsto)
- E** Boquilla
- F** Regulador de detergente (si está previsto)
- G** Regulador de presión (si está previsto)
- H** Dispositivo de arranque
- L** Filtro de agua

5.3.1 Accesorios (si están previstos en la entrega, véase la fig. 1)

- | | |
|--|----------------------------------|
| C1 Herr. de limpieza de la boquilla | C10 Tornillería |
| C2 Kit de boquilla giratoria | C11 Soportes |
| C3 Mango | C12 Palanca |
| C4 Cepillo | C13 Kit de detergente |
| C5 Enrollador de manguera | C14 Ruedas |
| C6 Kit de aspiración de agua | C15 Tubo grasa lubricante |
| C7 Kit de limpieza de tuberías | C16 Manómetro |
| C8 Kit de cepillo p.grandes superficies | C17 Adaptador |
| C9 Adaptador | |

5.4 Dispositivos de seguridad

- Dispositivo de arranque (**H**)

El dispositivo de arranque impide el accionamiento accidental de la máquina.

 **Atención: ¡peligro!**
No alterar ni modificar la calibración de la válvula de seguridad.

- Válvula de seguridad y/o limitadora de presión.

La válvula de seguridad también es una válvula limitadora de presión. Cuando se cierra la pistola, la válvula se abre y el agua se recircula desde la boca de aspiración de la bomba o bien se descarga hacia el suelo.

- Válvula termostática (D1 si está prevista)

Si la temperatura del agua supera el valor previsto por el fabricante, la válvula termostática descarga el agua caliente y aspira una cantidad de agua fría igual a la cantidad de agua descargada hasta que se restablezca la temperatura correcta.

- Seguro (D): impide que salga accidentalmente un chorro de agua.
- Protección térmica: en caso de sobrecarga, la protección térmica detiene la máquina.

6 INSTALACIÓN (FIG. 2)/PÁGINA 4**6.1 Montaje**

 **Atención: ¡peligro!**
Todas las operaciones de instalación y montaje se deben realizar con la máquina desconectada de la red eléctrica.
Consultar la secuencia de montaje en la fig. 2.

6.2 Montaje de los tapones de desahogo (si está previsto)

Para evitar pérdidas de aceite, la máquina se entrega con las bocas de introducción de aceite cerradas con tapones de color rojo, que deben ser sustituidos con los tapones de desahogo incluidos en el equipamiento.

6.3 Montaje de la boquilla giratoria

(Para los modelos que la llevan).

El kit de la boquilla giratoria proporciona una mayor potencia de lavado. El uso de la boquilla giratoria puede coincidir con una caída de la presión del 25% respecto de la presión obtenida con la boquilla regulable. Aun así, su uso permite suministrar una mayor potencia de lavado gracias al efecto giratorio que transmite al chorro de agua.

6.4 Conexión eléctrica

 **Atención: ¡peligro!**
Comprobar que la red eléctrica presente el mismo voltaje y frecuencia (V/Hz) que se indica en la placa de identificación (fig. 2).

6.4.1 Uso de cables alargadores

Utilizar cables y enchufes con grado de protección «IPX5». La sección de los cables alargadores debe ser proporcional a su longitud, es decir, cuanto más largo sea el cable, mayor debe ser la sección. Véase la tabla I.

6.5 Conexión al suministro de agua

 **Atención: ¡peligro!**
Aspirar solamente agua filtrada o limpia. La llave de paso del suministro de agua debe garantizar un caudal equivalente al caudal de la bomba.

Colocar la máquina lo más cerca posible de la red de suministro de agua.

6.5.1 Bocas de conexión

- Salida de agua (OUTLET)
- Entrada de agua con filtro (INLET)

6.5.2 Conexión a la red de suministro de agua potable

La máquina solamente se puede conectar a la red pública de distribución de agua si en la tubería de alimentación se instala un dispositivo de protección contra el reflujo con zona de presión reducida conforme con lo dispuesto por las normas vigentes. Comprobar que la tubería tenga como mínimo 13 mm de diámetro, que esté reforzada y que no mida más de 25 m de largo.

6.5.3 Aspiración de agua desde contenedores abiertos

- 1) Enroskar el tubo de aspiración con el filtro en la entrada de agua (INLET) y sumergirlo a fondo en el contenedor.
- 2) Purgar el aire de la máquina:
 - a) desatornillar la lanza;
 - b) poner en marcha la máquina y accionar la pistola hasta que el agua salga sin burbujas de aire.
- 3) Apagar la máquina y volver a enroskar la lanza.

Nota: La altura máxima de aspiración es de 0,5 m. Se recomienda llenar el tubo de aspiración antes del uso.

7 AJUSTES (FIG. 3)/PÁGINA 5

- 7.1 Ajuste de la boquilla** (si está previsto)
Girar la boquilla (E) para ajustar el chorro de agua.
- 7.2 Ajuste del suministro de detergente**
Para suministrar el detergente con la presión correcta, poner la boquilla (E) (si está prevista) en la posición «» o bien montar el kit de detergente (C13) (si está previsto) como se muestra en la figura. Girar el regulador (F) para dosificar la cantidad de detergente que se desea suministrar.
- 7.3 Ajuste de la presión de trabajo** (si está previsto)
Girar el regulador (G) para modificar la presión de trabajo. La presión se indica mediante el manómetro (si está previsto).

8 INFORMACIÓN SOBRE EL USO (FIG. 4)/PÁGINA 5

- 8.1 Mandos**
Dispositivo de arranque (H).
Poner el dispositivo de arranque en la pos. (ON/I) para:
a) poner en marcha el motor (en los modelos que no disponen de dispositivo TSS);
b) preparar el motor para el funcionamiento (en los modelos dotados de dispositivo TSS).
Si el dispositivo de arranque está dotado de un piloto, éste debe iluminarse.
Poner el dispositivo de arranque en la pos. (OFF/O) para detener el funcionamiento de la máquina.
Si el dispositivo de arranque está dotado de un piloto, éste debe apagarse.
- Gatillo de control del chorro de agua (I).

⚠ Atención: ¡peligro!
La máquina debe funcionar apoyada sobre una superficie segura y estable, colocada como se indica en la fig. 4.

- 8.2 Arranque** (véase la fig. 4)
1) Abrir por completo la llave de paso de la red de abastecimiento de agua.
2) Quitar el seguro (D).
3) Mantener abierta la pistola durante unos segundos y poner en marcha la máquina mediante el dispositivo de arranque (ON/I).

⚠ Atención: ¡peligro!
Antes de poner en funcionamiento la máquina, comprobar que reciba un suministro correcto de agua. El uso en seco daña la máquina. No cubrir las rejillas de ventilación durante el funcionamiento.

Modelos TSS. En los modelos TSS dotados de interrupción automática de la impulsión:
- **al cerrar** la pistola, la presión dinámica apaga automáticamente el motor eléctrico;
- **al abrir** la pistola, la caída de presión arranca automáticamente el motor y la presión se reajusta con un retraso muy pequeño;
- para obtener un correcto funcionamiento del dispositivo TSS, los intervalos entre las operaciones de **apertura** y **cierre** no deben ser inferiores a 4÷5 segundos.

Para impedir que se dañe la máquina, evitar que funcione en seco y comprobar que reciba siempre un correcto suministro de agua.

En los modelos sin TSS, para impedir que se dañe la máquina a causa del aumento de la temperatura del agua, no interrumpir el chorro de agua durante más de 5 minutos seguidos mientras la máquina esté en marcha.

- 8.3 Parada**
1) Poner el dispositivo de arranque en la posición (OFF/O).
2) Abrir la pistola y descargar la presión del interior de los tubos.
3) Poner el seguro (D).
- 8.4 Rearranque**
1) Quitar el seguro (D).
2) Abrir la pistola y descargar el aire presente en el interior de los tubos.
3) Poner el dispositivo de arranque en la posición (ON/I).

- 8.5 Puesta fuera de servicio**
1) Cerrar la llave de paso del agua.
2) Descargar la presión residual de la pistola hasta que se vacíe toda el agua de la máquina.
3) Apagar la máquina (OFF/O).
4) Extraer el enchufe de la toma.
5) Vaciar y lavar el depósito del detergente al terminar el trabajo.
Para lavar el depósito, utilizar agua limpia en lugar del detergente.
6) Poner el seguro (D) de la pistola.

8.6 Rellenado y uso del detergente
El detergente se debe suministrar con los accesorios y según los modos previstos en el punto 7.3.

Si se usa un tubo de alta presión más largo que el tubo original de la máquina o bien un tubo alargador auxiliar, se puede reducir o interrumpir por completo la aspiración de detergente.
Rellenar el depósito (B6) con detergente muy biodegradable.

8.7 Consejos para efectuar un lavado correcto
Disolver la suciedad aplicando el detergente sobre la superficie seca.

En las superficies verticales, trabajar de abajo arriba. Dejar que la mezcla actúe durante 1÷2 minutos, sin permitir que la superficie se seque. Aplicar el chorro a alta presión desde una distancia superior a 30 cm, comenzando por abajo. Evitar que el agua de enjuague se escurra por las superficies no lavadas.

En algunos casos, para eliminar la suciedad se requiere la acción mecánica de los cepillos de lavado.

La presión alta no es siempre la mejor solución para efectuar un buen lavado, ya que puede dañar algunas superficies. Se aconseja evitar el uso del chorro concentrado de la boquilla regulable y el uso de la boquilla giratoria sobre zonas delicadas, pintura y componentes bajo presión (p. ej.: neumáticos, válvulas de inflado, etc.). Una acción de lavado eficaz depende en igual medida de la presión y del volumen de agua.

9 MANTENIMIENTO (FIG. 5)/PÁGINA 6

Todas las operaciones de mantenimiento no indicadas en este capítulo deben realizarse en un centro de venta y asistencia autorizado.

⚠ Atención: ¡peligro!
Antes de realizar cualquier operación en la máquina, extraer el enchufe de la toma de corriente.

- 9.1 Limpieza de la boquilla**
1) Desmontar la lanza de la pistola.
2) Eliminar la suciedad del orificio de la boquilla sirviéndose de la herramienta (C1).
- 9.2 Limpieza del filtro**
Comprobar el filtro de aspiración (L) y el filtro de detergente (si está previsto) antes de cada uso y, de ser necesario, limpiarlos de la manera indicada.
- 9.3 Desbloqueo del motor** (si está previsto)
Cuando la máquina permanece parada durante largo tiempo, pueden formarse depósitos de cal que bloquean el motor. Para desbloquear el motor, girar el eje mediante la herramienta (M).
- 9.4 Rellenado de aceite** (si está previsto)
Introducir aceite a través de la boca de llenado hasta que se alcance el nivel correcto.
Véase la tabla «Datos técnicos» para mayor información sobre las características del aceite.
Es aconsejable sustituir el aceite cada 500 horas de uso.
- 9.5 Almacenamiento invernal**
Antes de efectuar el almacenamiento invernal, hacer funcionar la máquina con líquido anticongelante no agresivo ni tóxico.
Almacenar el aparato en un lugar seco y protegido contra el hielo.

10 ALMACENAMIENTO Y TRANSPORTE (FIG. 5)/PÁGINA 6

Guardar los accesorios como se indica en la fig. 5.
Transportar la máquina como se indica en la fig. 5.

12 CÓMO EVITAR DAÑOS A LAS SUPERFICIES



ATENCIÓN

- 12.1 El uso de la máquina para lavar neumáticos puede dañarlos y resultar peligroso.
- 12.2 No dirigir el chorro de alta presión directamente hacia el neumático.
- 12.3 Utilizar siempre el nivel de presión más bajo de la máquina cuando se realizan operaciones de limpieza cerca de ruedas y neumáticos.
- 12.4 No usar nunca la «lanza turbo» para lavar ninguna parte del vehículo.
- 12.5 Para mayor información, consultar el apartado «8.7 Consejos para efectuar un lavado correcto».



Declaración de conformidad CE

ES

Annovi Reverberi S.p.A., Módena, Italia, declara que la(s) siguiente(s) máquina(s) De Walt:

Denominación de la máquina	Hidrolimpiadora de alta presión			
N.º de modelo	DXPW 004 E	DXPW 005 E	DXPW 006 E	DXPW 007 E
Potencia absorbida	3 kW	5 kW	5 kW	7,4 kW

cumple(n) con lo dispuesto por las siguientes directivas europeas:

2006/42/CE, 2014/35/UE, 2011/65/UE, 2015/863/UE, 2012/19/UE, 2014/30/UE, 2000/14/CE (D. Lgs. 262/2002 italiano).

y ha(n) sido fabricada(s) en cumplimiento de las siguientes normas o los siguientes documentos normalizados:

EN 60335-1; EN 60335-2-79; EN 55014-1; EN 55014-2; EN 61000-3-2; EN 61000-3-3; EN 61000-3-11; EN 60704-1; EN 62233; EN IEC 63000

Nombre y dirección de la persona encargada de expedir el expediente técnico: Stefano Reverberi / AR Managing Director

Via ML King, 3 - 41122 Módena, Italia

El procedimiento de evaluación de la conformidad requerida por la directiva 2000/14/CE ha sido aplicado en cumplimiento del Anexo V.

N.º de modelo	DXPW 004 E	DXPW 005 E	DXPW 006 E	DXPW 007 E
Nivel de potencia acústica medido:	93,5 dB (A)	93,9 dB (A)	93,9 dB (A)	94,4 dB (A)
Nivel de potencia acústica garantizado:	96 dB (A)	96 dB (A)	96 dB (A)	97 dB (A)

Fecha: 04.03.2022

MÓDENA (I)

Stefano Reverberi


Managing Director

GARANTÍA

La validez de la garantía está sujeta a las normas vigentes en el país en el que se comercializa el producto (salvo si el fabricante indica otra cosa).

Si el producto presenta defectos de calidad del material, de la fabricación o falta de conformidad durante el período de validez de la garantía, el fabricante garantiza la sustitución de los componentes defectuosos y se encarga de reparar los productos si presentan un desgaste razonable, o bien los sustituye.

La garantía no cubre los componentes sujetos a desgaste normal (válvulas, pistón, juntas de agua, juntas de aceite, muelles, juntas tóricas; accesorios tales como el tubo, la pistola, los cepillos, las ruedas, etc.).

La garantía no cubre los defectos causados por o que deriven de:

- uso incorrecto, uso no permitido, negligencia;
- alquiler o uso profesional si el producto se ha vendido para uso doméstico.
- inobservancia de las normas de mantenimiento incluidas en el manual correspondiente;
- reparaciones realizadas por personal o centros no autorizados;
- uso de recambios o accesorios no originales;
- daños causados durante el transporte, por sustancias u objetos extraños, accidente;
- problemas de almacenamiento o conservación.

Para activar la garantía, es necesario mostrar el comprobante de compra.

En caso de necesitar asistencia, Página: 285.

Datos técnicos

Datos técnicos	Unidad	DXPW 004 E	DXPW 005 E	DXPW 006 E	DXPW 007 E
Caudal	l/min	10	13,5	15	14
Caudal máximo	l/min	-	-	-	-
Presión	MPa	12	18	15	21
Presión máxima	MPa	15	20	17	23
Potencia	kW	3	5	5	7,4
Temperatura de alimentación máxima	°C	60	60	60	60
Presión máxima de alimentación	MPa	1	1	1	1
Fuerza de retroceso de la pistola a presión máxima	N	24,30	40,10	40,70	44,90
Tipo de aceite de la bomba	kg	-	-	-	-
Clase de protección	-	II/⊕	II/⊕	II/⊕	II/⊕
Aislamiento del motor	Clase	F	F	F	F
Protección del motor	-	IPX5	IPX5	IPX5	IPX5
Tensión	V/Hz	230/50 1~	400/50 3~	400/50 3~	400/50 3~
Máxima impedancia de red permitida	Ω	-	-	-	-
Nivel de presión acústica L_{pa} (EN 60704-1) (K = 2,5 dB(A))	dB (A)	82,1	82,5	82,5	83
Nivel de potencia acústica L_{wa} (EN 60704-1) (K = 2,5 dB(A))	dB (A)	96	96	96	97
Vibraciones del aparato (K = 1 m/s ²):	m/s ²	<2,5	<2,5	<2,5	<2,5
Peso	kg	38	40	40	64

¡Reservada la posibilidad de hacer modificaciones técnicas!

1 OHUTUSNÕUDED

1.1 Teie ostetud seade on kõrgtehnoloogiline toode, mille on välja töötanud üks Euroopa juhtivaid kõrgsurvepesurite tootjaid. Et teie seade töötaks võimalikult hästi, lugege see brošüür tähelepanelikult läbi ja järgige juhiseid igal kasutuskorral. Ühendamise, kasutamise ja hooldamise ajal rakendage kõiki ohutusabinõusid, et tagada iseenda ning teiste lähedal viibijate ohutus. Lugege ohutuseeskirjad hoolikalt läbi ja järgige neid alati; vastasel korral võib see ohustada teie elu ja ohutust või põhjustada kulukaid kahjusid.

2 OHUTUSSILDID

2.1 Järgige seadmele paigaldatud ning selles juhendis esitatud ohutussilte ja -tähtsusi. Seadmel ja juhendis on toodud ainult ostetud mudeli puhul asjakohased tähised. Veenduge, et seadmele paigaldatud tähised ja sildid on alati olemas ning loetavad. Kui see nii ei ole, asendage need uutega esialgses asukohas.

 Hoiatus – Ettevaatust – Oht

  Enne kasutamist lugege see juhend tähelepanelikult läbi.

 Tähis E2 (kui juhendis esineb see tähis) – Näitab, et seade on ette nähtud profikasutuseks, s.t kogenud inimestele, kes tunnevad sellega seotud tehnilisi, normatiivseid ja õiguslikke asjaolusid ning on suutelised tegema seadme kasutamiseks ja hooldamiseks vajalikke toiminguid. Seda seadet ei tohi kasutada lapsed, puudulike füüsiliste, sensoorsete või vaimsete võimetega isikud ega vajalike kogemuste ja teadmisteta isikud.

 Liikuvad osad. Ärge puudutage.



0 Lülitati „VÄLJAS” asend.

I Lülitati „SEES” asend.



Garanteeritud müravõimsustase.



Keelumärk, mis teavitab kasutajaid, et kohalikud eeskirjad võivad keelata toote ühendamist joogiveevõrku.



Ohumärk, mis hoiatab kasutajat, et veejuga ei tohi suunata inimeste, loomade, elektriseadmete ega toote enda poole.



See toode on liigitatud I isolatsiooniklassi. See tähendab, et toode on varustatud kaitsemaandusjuhtmega (üksnes juhul, kui seadmel on vastav tähis).

CE Toode vastab asjakohaste Euroopa direktiivide nõuetele.



Tähis E1 – Näitab, et seadet **ei tohi kasutusest kõrvaldada** olmejäätmetena; selle võib uue seadme ostmisel tagastada edasimüüjale. Seadme elektrilisi ja elektroonilisi osi ei tohi korduskasutada selleks mitte ette nähtud otstarbel, sest need sisaldavad aineid, mis võivad olla tervisele ohtlikud.



Kandke kuulmiskaitsevahendeid.



Kandke kaitsemaski.



Kandke hingamisteede kaitsevahendeid.



Kandke kaitsekindaid.



Kandke kaitsejalatseid.



Kandke kaitserõivaid.



3 OHUTUSREEGLID/JÄÄKRISKID

3.1 OHUTUSKEELUD

- 3.1.1 HOIATUS! ÄRGE lubage lastel seadet kasutada; jälgige, et lapsed ei mängiks sellega.
- 3.1.2 HOIATUS! Väara kasutamise korral võib kõrgsurvejuga olla ohtlik.
- 3.1.3 HOIATUS! ÄRGE kasutage seadet kergsüttivate või mürgiste vedelikega ega mis tahes toodetega, mis ei sobi kokku selle õige kasutusviisiga. Seadet on keelatud kasutada tule- või plahvatusohtlikus keskkonnas.
- 3.1.4 HOIATUS! PLAHVATUSOHT! ÄRGE kasutage seadet kergsüttivate vedelike pihustamiseks.
- 3.1.5 HOIATUS! ÄRGE suunake veejuga inimeste ega loomade poole.
- 3.1.6 HOIATUS! ÄRGE suunake veejuga seadme enda, elektriliste osade ega muude elektriseadmete poole.
- 3.1.7 HOIATUS! ÄRGE kasutage seadet, kui selle tööulatuses viibib teisi inimesi, kes ei kanna kaitserõivastust.
- 3.1.8 HOIATUS! ÄRGE suunake veejuga enda ega teiste inimeste poole rõivaste või jalatsite puhastamiseks.
- 3.1.9 HOIATUS! ÄRGE kasutage seadet välitingimustes, kui vihma sajab.
- 3.1.10 HOIATUS! ÄRGE lubage seadet kasutada lastel, ebapädevatel isikutel ega inimestel, kes ei ole juhendit lugenud või sellest aru saanud.
- 3.1.11 HOIATUS! ÄRGE puudutage pistikut ega pistikupesa märgade kätega.
- 3.1.12 HOIATUS! ÄRGE kasutage seadet, kui elektrikaabel on kahjustatud. Ohutusriskide ärahoidmiseks võib kahjustatud elektrikaabli välja vahetada üksnes tootja, mõni tema volitatud hoolduskeskustest või sarnase kvalifikatsiooniga spetsialist.
- 3.1.13 HOIATUS! ÄRGE kasutage seadet, kui on kahjustatud selle toitekaabel või olulised osad, näiteks ohutusseadmed, kõrgsurvevoolikud või püstol.
- 3.1.14 HOIATUS! VÄLTIGE päästiku kinnikiilumist tööasendis.
- 3.1.15 HOIATUS! Kontrollige, kas seadmele on paigaldatud andmeplaat; kui mitte, teavitage sellest edasimüüjat. Ilma andmeplaadita seadmeid EI TOHI kasutada, sest neid ei ole võimalik tuvastada ja need võivad olla ohtlikud.
- 3.1.16 HOIATUS! ÄRGE muutke omavoliliselt ega reguleerige kaitseklapi või ohutusseadiste seadistust.
- 3.1.17 HOIATUS! ÄRGE muutke pihustusotsaku düüsi algset läbimõõtu.
- 3.1.18 HOIATUS! ÄRGE liigutage seadet ELEKTRIKAABLIST tõmbamisega.



- 3.1.19 HOIATUS!** Ärge laske sõidukitel sõita üle kõrgsurvevooliku.
- 3.1.20 HOIATUS! ÄRGE** liigutage seadet kõrgsurvevoolikust tõmbamisega.
- 3.1.21 HOIATUS!** Rehvide, rehviventilide või muude surve all olevate osade poole suunatud kõrgsurvejuga võib olla ohtlik. Ärge kasutage pöördtüüsi komplekti ja hoidke juga puhastamise ajal vähemalt 30 cm kaugusel.
- 3.1.22 HOIATUS!** Keelatud on kasutada mitteoriginaalseid lisatarvikuid ja muid varuosi, mis ei ole ette nähtud konkreetsetl kõnealuse mudeli jaoks. Seadme igasugune modifitseerimine on keelatud. Mis tahes modifitseerimine muudab kehtetuks vastavusdeklaratsiooni ning vabastab tootja tsiviil- ja kriminaalõiguse järgsest vastutusest.

3.2 OHUTUSKOHUSTUSED

- 3.2.1 HOIATUS!** Kõiki elektrijuhtmeid PEAB KAITSMA veejoa eest.
- 3.2.2 HOIATUS!** Elektrihenduse peab tegema väljaõppinud elektrik ja see peab vastama standardile IEC 60364-1. Tuleb paigaldada kas rikkevoolukaitse, mis katkestab elektritoite juhul, kui maanduslekkevool ületab 30 ms vältel 30 mA, või maandusrikkekaitse.
- 3.2.3 HOIATUS!** Käivitamise AJAL võib seade põhjustada võrgumüra.
- 3.2.4 HOIATUS!** Rikkevoolukaitse kasutamine annab kasutajale lisakaitse (30 mA).
- 3.2.5 HOIATUS!** Ilma pistikuta tarnitavad mudelid peab paigaldama vastava väljaõppega personal.
- 3.2.6 HOIATUS!** Kasutage üksnes heakskiidetud pikendusjuhtmeid, millel on sobiv juhtme ristlõige.
- 3.2.7 HOIATUS!** Seadme järelevalveta jätmisel lülitage lüliti kindlasti välja.
- 3.2.8**      
HOIATUS! Kõrgsurve võib põhjustada osade tagasilööki: kandke kõiki kasutaja ohutuse tagamiseks vajalikke kaitserõivaid (isikukaitsevahendeid) ja -varustust.
- 3.2.9 HOIATUS!** Enne töid seadme juures EEMALDAGE pistik.
- 3.2.10 HOIATUS!** Enne päästiku vajutamist HAARAKE püstol kindlalt kätte, et tagasilöögiga toime tulla.
- 3.2.11 HOIATUS!** JÄRGIGE kohaliku veevarustusameti eeskirju. Standardi IEC 60335-2-79 kohaselt tohib seadme ühendada joogiveevõrku üksnes juhul, kui toitevoolik on varustatud standardi EN 12729 tüübile BA vastava tagasisivoolu tõkestava klapi, millel on olemas tühjendusseadis. Tagasisivoolu tõkesti saab tellida tootjalt.
- 3.2.12 HOIATUS!** Läbi tagasisivoolu tõkestite voolanud vett loetakse joogikõlbmatuks.



- 3.2.13 HOIATUS!** Elektriosade hooldus- ja/või remonttöid TOHIVAD teha ainult väljaõppinud töötajad.
- 3.2.14 HOIATUS!** Enne vooliku seadme küljest lahtiühendamist VABASTAGE jääkrõhk.
- 3.2.15 HOIATUS!** VEENDUGE enne iga kasutuskorda ja korrapäraste ajavahemike tagant, et kruvid on täiesti kinni ja purunenud või kulunud osi ei ole.
- 3.2.16 HOIATUS!** KASUTAGE ÜKSNES puhastusaineid, mis ei korrodeeri kõrgsurvevooliku ega elektrikaabli kattematerjale.
- 3.2.17 HOIATUS!** TAGAGE, et kõik inimesed ja loomad hoiduksid vähemalt 15 meetri (16 jardi) kaugusele.
- 3.2.18 HOIATUS!** Seade on ette nähtud kasutamiseks üksnes tootja tarnitud või soovitatud puhastusainetega. Muude puhastusainete või kemikaalide kasutamine võib negatiivselt mõjutada seadme turvalisust.
- 3.2.19 HOIATUS!** Vältige puhastusaine nahale ja eriti silma sattumist. Silma sattumisel loputage kohe rohke veega ja pöörduge arsti poole.
- 3.2.20 HOIATUS!** Kõrgsurvevoolikud, -liitmikud ja -ühendused on olulised seadme ohutuse seisukohast. Kasutage ainult tootja soovitatud voolikuid, liitmikke ja ühendusdetalle.
- 3.2.21 HOIATUS!** Seadme ohutu töö tagamiseks kasutage üksnes tootja originaalosi või muid tootjalt heakskiidu saanud osi.
- 3.2.22 HOIATUS!** Pikendusjuhtme kasutamisel peavad pistik ja pistikupesa olema veekindla konstruktsiooniga.
- 3.2.23 HOIATUS!** Sobimatud pikendusjuhtmed võivad olla ohtlikud. Pikendusjuhtme kasutamise korral peab see olema ette nähtud välitingimustes kasutamiseks; selle ühenduskohta tuleb hoida kuivana ja maapinnast kõrgemal. Tungivalt soovitatakse kasutada juhtme pooli, mis hoiab pistikupesa maapinnast vähemalt 60 mm kõrgusel.
- 3.2.24 HOIATUS!** Enne kokkupanekut, puhastamist, reguleerimist, hooldustöid, hoiustamist või transporti lülitage seade välja ja ühendage toiteallikast lahti.
- 3.2.25 HOIATUS!** Enne seadme sisselülitamist sisestage toruoja komplekt kuni punase märgini.



4 ÜLDINE TEAVE (JONONIS 1) / LK 3**4.1 Juhendi kasutamine**

Kasutusjuhend on seadme lahutamatu osa ja tuleb edaspidiseks kasutamiseks alles hoida. Enne seadme paigaldamist ja kasutamist lugege seda tähelepanelikult. Seadme müümisel peab müüja andma uuele omanikule koos seadmega ka kasutusjuhendi.

4.2 Tarnimine

Seade tarnitakse osaliselt kokkupanduna pappkastis. Tarnepakki on kujutatud joonisel 1.

4.2.1 Koos seadmega tarnitav dokumentatsioon

- A1** Kasutus- ja hooldusjuhend
- A2** Ohutusnõuded
- A3** Vastavusdeklaratsioon
- A4** Garantireeglid

4.3 Pakendi käitlemine

Pakkematerjalid ei ole keskkonnsaasteained, kuid need tuleb siiski ringlusse võtta või neid käidelda kasutusriigi asjakohaste õigusaktide kohaselt.

5 TEHNILINE TEAVE (JONONIS 1) / LK 3**5.1 Kasutusotstarve**

See seade on välja töötatud erakasutuseks sõidukite, masinate, paatide, müüritise jms puhastamiseks, et eemaldada kangekaalne mustus puhta vee ja biolagunevate keemiliste puhastusainete abil. Sõidukite mootoreid võib pesta üksnes juhul, kui musta vett käideldakse kehtivate eeskirjade kohaselt.

- Sisendvee temperatuur: **vaadake seadmel olevat andmeplati.**

- Sisendvee rõhk: **min 0,1 MPa – max 1 MPa.**

- Keskkonnatemperatuur töötamisel: **üle 0 °C.**

Seade vastab standarditele IEC 60335-1 ja IEC 60335-2-79.

5.2 Käitaja

Joonisel 1 kujutatud tähis näitab seadme ettenähtud käitajat (elukutseline või mitte).

5.3 Peamised osad

- B2** Püstolitoru
- B3** Kaitseriiviga pihustuspüstol
- B4** Elektri kaabel pistikuga (vastava funktsiooniga mudelitel)
- B5** Kõrgsurvevoolik
- B6** Puhastusaine paak (vastava funktsiooniga mudelitel)
- B7** Õlipaagi kork (vastava funktsiooniga mudelitel)
- F** Düüs
- E** Puhastusaine regulaator (vastava funktsiooniga mudelitel)
- G** Rõhuregulaator (vastava funktsiooniga mudelitel)
- H** Käiviti
- L** Veefilter

5.3.1 Lisatarvikud (kui kuuluvad tarnekomplekti – vt joonis 1)

- | | |
|--|----------------------------------|
| C1 Düüsi puhastustööriist | C10 Kruvid |
| C2 Pöörddüüsi komplekt | C11 Toendid |
| C3 Käepide | C12 Hoob |
| C4 Hari | C13 Puhastusaine komplekt |
| C5 Voolikutrummel | C14 Rattad |
| C6 Vee imikomplekt | C15 Määrdetuub |
| C7 Toruoja komplekt | C16 Manomeetrid |
| C8 Suure pinna puhastusarja komp. | C17 Adapter |

5.4 Ohutusseadised

- Käiviti (**H**)

Käiviti takistab seadme tahtmatut kasutamist.

**Hoiautus – oht!**

Ärge muutke omavoliliselt ega reguleerige kaitseklapi seadistust.

- Kaitseklapp ja/või rõhupiiramisklapp

Kaitseklapp on ühtlasi rõhupiiramisklapp. Pihustuspüstoli päästi-

ku vabastamisel klapp avaneb ja vesi ringleb uuesti läbi pumba sisselaskeava või voolab maapinnale.

- Termostaadi klapp (**D1**, kui on paigaldatud)

Kui vee temperatuur ületab tootja määratud temperatuuri, siis laseb termostaadi klapp kuumat vett välja ja tõmbab sisse väljalastud veega võrdses koguses külma vett, kuni on taastatud õige temperatuur.

- Kaitseriiv (**D**): takistab vee tahtmatut pihustamist.

- Ülekoormuskaitse: seiskab ülekoormuse korral seadme.

6 PAIGALDAMINE (JONONIS 2) / LK 4**6.1 Kokkupanemine****Hoiautus – oht!**

Kõigi paigaldus- ja koostetööde tegemise ajal peab seade olema vooluvõrgust lahutatud.

Kokkupanekujärjekorda on kujutatud **joonisel 2**.

6.2 Rõhuvabastuskorkide paigaldamine (vastava funktsiooniga mudelitel)

Õlilekete ärahoidmiseks on õlisensidid tarnimise ajal suletud punaste korkidega, mis tuleb asendada komplekti kuuluvate rõhuvabastuskorkidega.

6.3 Pöörddüüsi paigaldamine

(Vastava funktsiooniga mudelitel.)

Pöörddüüsi komplekt suurendab pesemisvõimsust.

Võrreldes reguleeritava düüsi kasutamisel saadava survega võib pöörddüüsi kasutamine vähendada survet 25% võrra. Veejoo pöörlemise tõttu suurendab pöörddüüsi komplekti aga pesemisvõimsust.

6.4 Elektriühendus**Hoiautus – oht!**

Kontrollige, kas elektritoite pinge ja sagedus (V/Hz) vastavad andmeplaadil esitatutele (joonis 2).

6.4.1 Pikenduskaabli kasutamine

Kasutage kaableid ja pistikuid kaitseastmega IPX5.

Pikenduskaabli ristlõige peab vastama selle pikkusele; mida pikem on kaabel, seda suurem peab olema selle ristlõige. Vt tabelit 1.

6.5 Veevarustussüsteemi ühendamine**Hoiautus – oht!**

Seadme veevarustuse jaoks tohib kasutada üksnes puhast või filtreeritud vett. Vee sisselaskekraani voolukiirus peab olema võrdne pumba voolukiirusega.

Paigutage seade võimalikult veevarustussüsteemi lähedale.

6.5.1 Ühenduspunktid

● Vee väljavooluava (VÄLJALASE)

■ Vee sisselaskeava, filtriga (SISSELASE)

6.5.2 Ühendamine veevõrguga

Standardi IEC 60335-2-79 kohaselt tohib ühendada seadme otse joogiveevõrku üksnes juhul, kui toitevoolik on varustatud kehtivate eeskirjade kohase tagasivoolu tõkestava klappiga. Veenduge, et vooliku läbimõõt on vähemalt 13 mm, et see on tugevdatud ega ole üle 25 meetri pikk.

6.5.3 Vee sissetõmbamine lahtistest mahutitest

1) Keerake filtriga sisselaskevooliku vee SISSELASKEAVASSE ja sisetage vooliku mahutisse kuni põhjani.

2) Laske õhk seadmest välja.

a) Kruvige püstolitoru lahti.
b) Käivitage seade ja hoidke pihustuspüstolit avatuna, kuni väljavoolavas vees ei ole enam õhumulle.

3) Lülitage seade välja ja keerake püstolitoru uuesti peale. NBI Maksimaalne imikõrgus on 0,5 m. Imivoolik tuleb enne kasutamist täita.

7 REGULEERIMISED (JONONIS 3) / LK 5**7.1 Pihustusdüüsi reguleerimine** (selle funktsiooniga mudelitel)

Veevoolu saab reguleerida düüsi reguleerimisega (**E**).

7.2 Puhastusaine reguleerimine

Et puhastusaine etteanne toimuks õigel rõhul, seadke düüs (E) (kui on paigaldatud) asendisse  või paigaldage puhastusaine komplekt (C13) (kui on saadaval) joonise järgi. Etteantava puhastusaine kogust saab muuta regulaatori abil (F).

7.3 Töörõhu reguleerimine (vastava funktsiooniga mudelitel)

Töörõhku saab muuta regulaatori (G) abil. Rõhk kuvatakse manomeetril (kui see on paigaldatud).

8 TEAVE SEADME KASUTAMISE KOHTA (JONIS 4) / LK 5**8.1 Juhtimiseadised**

- Käiviti (H).

Lülitage käivituslülit sisse (ON/I), et:

a) käivitada mootor (ilma TSS-seadmeta mudelitel);

b) seada mootor käivitusvalmis (TSS-seadmega mudelitel).

Kui käiviti on märgutuli, peab see süttima.

Seadme seiskamiseks lülitage käivituslülit välja (OFF/O).

Kui käiviti on märgutuli, peab see kustuma.

- Veejoo juhthoob (I).

**Hoiatus – oht!**

Kasutamise ajaks tuleb seade paigutada kindlale stabiilsele pinnale (vt joonist 4).

8.2 Käivitamine (vt joonist 4)

1) Keerake veekraan täies ulatuses lahti.

2) Vabastage kaitseriiv (D).

3) Vajutage pihustuspüstoli päästik mõneks sekundiks alla ja käivitage seade käiviti abil (ON/I).

**Hoiatus – oht!**

Enne seadme käivitamist veenduge, et see saab õigesti vetti; seadme kasutamine ilma veeta kahjustab seda. Ärge katke seadme õhutusvõresid kasutamise ajal kinni.

TSS-mudelid. Etteandevoolu automaatse katkestussüsteemiga TSS-mudelitel puhul:

- pihustuspüstoli päästiku **vabastamisel** lülitab dünaamiline surve mootori automaatselt välja;

- kui pihustuspüstoli päästik **vajutatakse alla**, käivitab rõhu automaatne langemine mootori ja surve taastub ülväikese viivitusega;

- TSS-i õigesti toimimiseks peab kõigi püstolipäästiku **vabastamis- ja allavajutamiskordade** vahe olema **vähemalt 4–5 sekundit**.

Seadme kahjustamise ärahoidmiseks ärge laske sellel kuival töötada ja kontrollige, kas sellel on olemas nõuetekohane veevarustus.

Ilma TSS-ita mudelite korral ärge katkestage töötava seadme veejuga rohkem kui viieks minutiks, et seade ei saaks veetemperatuuri tõusu tõttu kahjustada.

8.3 Seiskamine

1) Lülitage käivituslülit välja (OFF/O).

2) Vajutage püstoli päästik alla ja vabastage torud neisse jäänud rõhu alt.

3) Rakendage kaitseriiv (D).

8.4 Taaskäivitamine

1) Vabastage kaitseriiv (D).

2) Vajutage pihustuspüstoli päästik alla ja laske torudest välja neisse jäänud õhk.

3) Lülitage käivituslülit sisse (ON/I).

8.5 Hoistamine

1) Keerake veekraan kinni.

2) Vabastage pihustuspüstol selles säilinud rõhu alt, kuni kogu vesi on seadmest välja voolanud.

3) Lülitage seade välja (OFF/O).

4) Võtke toitejuhtme pistik pistikupesast välja.

5) Kui olete töö lõpetanud, tühjendage ja loputage puhastusaine paak. Paagi loputamiseks kasutage puhastusaine asemel puhast vett.

6) Rakendage pihustuspüstoli kaitseriiv (D).

8.6 Puhastusaine lisamine ja kasutamine

Puhastusaine etteandmiseks tuleb kasutada punktis 7.3 nimetatud lisatarvikuid ja kirjeldatud toiminguid.

Kui kasutada kõrgsurvevoolikut, mis on koos seadmega tarnitud pikem, või lisapikendusvoolikut, võib puhastusaine sissetõmbamine väheneda või täielikult lakata.

Täitke paak (B6) hästi biolaguneva puhastusainega.

8.7 Soovitatav puhastustoiming

Mustuse lahustamiseks kandke veel kuivale pinnale veega segatud puhastusainet.

Vertikaalpindade korral töötage suunaga alt üles. Laske puhastusainel 1–2 minutit toimida, ent ärge laske pinnal kuivada. Alustage alt ja kasutage kõrgsurvejuga vähemalt 30 cm kaugusel. Ärge laske loputusveel voolata pesemata pindadele.

Mõnikord on mustuse eemaldamiseks vaja harjadesse hõõruda.

Kõrgsurve ei ole heade puhastustulemuste saavutamiseks alati parim lahendus, sest mõnda pinda võib see kahjustada. Õrnade või värvitud osade, aga ka surve all olevate osade (nt rehvid, täis-pumpamiseks kasutatavad ventiliid jms) puhul ei tohi kasutada reguleeritava düüsi kõige peenemat joaseadistust ega pöörddüüsi. Tõhus puhastamine sõltub samavõrra nii kasutatava vee survest kui ka hulgast.

9 HOOLDUS (JONIS 5) / LK 6

Kõiki selles peatükis käsitlemata hooldustöid peab tegema volitatud müügi- ja hoolduskeskus.

**Hoiatus – oht!**

Enne igasuguseid töid seadme juures eemaldage pistik kindlasti pistikupesast.

9.1 Düüsi puhastamine

1) Ühendage püstolitoru düüsi küljest lahti.

2) Eemaldage düüsiavast tööriista (C1) abil kõik mustusejäägid.

9.2 Filtri puhastamine

Enne iga kasutuskorda vaadake üle sisselaskefilter (L) ja puhastusaine filter. Vajaduse korral puhastage juhiste kohaselt.

9.3 Kinnikiilunud mootori vabastamine (vastava funktsiooniga mudelitel)

Pikaajaliste seisakute korral võivad katlakivisetted põhjustada mootori kinnikiilumist. Mootori vabastamiseks pöörake ajamivõlli vastava tööriistaga (M).

9.4 Õli lisamine (vastava funktsiooniga mudelitel)

Õige taseme taastamiseks lisage sisselaskeava kaudu õli.

Õli omadusi vaadake tabelist „Tehnilised andmed“.

Õli tuleks vahetada iga 500 töötunni järel.

9.5 Hoistamine hooaja lõpul

Enne talvets hoiepilepanekut käitage seadet veega, millele on lisatud korrosioonikindlat mittemürgist antifrüüsi.

Paigutage seade kuiva külma eest kaitstud kohta.

10 HOIUSTAMINE JA TRANSPORT (JONIS 5) / LK 6

Hoistage lisatarvikuid joonise 5 kohaselt.

Transportige masinat joonise 5 kohaselt.

12 KUIDAS VÄLTIDA PINDADE KAHJUSTAMIST?**HOIATUS**

- 12.1 Kui seadet kasutatakse rehvide pesemiseks, võib see kahjustada rehve ja olla ohtlik.
 12.2 Ärge suunake kõrgsurvejuga otse rehvidele.
 12.3 Rehvide ja rataste ümbruse puhastamisel kasutage seadet madalaimal rõhuseadistusel.
 12.4 Ärge kasutage sõiduki pesemisel kõrgsurvepesuri seadistust Turbo Lance.
 12.5 Lisateavet vaadake jaotisest: „8.7 Soovitavat puhastustoiming“.

**EÜ vastavusdeklaratsioon**

Annovi Reverberi S.p.A, Modena, Itaalia, deklareerib, et alljärgnev(ad) De Walti masin(ad):

masina nimetus	kõrgsurvepesur			
modeli nr	DXPW 004 E	DXPW 005 E	DXPW 006 E	DXPW 007 E
nimivõimsus	3 kW	5 kW	5 kW	7,4 kW

vastab (vastavad) järgnevatele Euroopa direktiividele:

2006/42/EÜ, 2014/35/EL, 2011/65/EL, 2015/863/EL, 2012/19/EL, 2014/30/EL ja 2000/14/EÜ

ja on valmistatud järgnevate standardite või standarddokumentide kohaselt:

EN 60335-1; EN 60335-2-79; EN 55014-1; EN 55014-2; EN 61000-3-2; EN 61000-3-3; EN 61000-3-11; EN 60704-1; EN 62233; EN IEC 63000.

Tehnilise toimiku väljastajaks määratud isiku nimi ja aadress: Stefano Reverberi / AR-i tegevdirektor

Via ML King, 3 – 41122 Modena, Itaalia

Direktiivi 2000/14/EÜ nõuete kohane vastavushindamise menetlus on läbi viidud V lisa kohaselt.

modeli nr	DXPW 004 E	DXPW 005 E	DXPW 006 E	DXPW 007 E
Möödetud müravõimsustase:	93,5 dB (A)	93,9 dB (A)	93,9 dB (A)	94,4 dB (A)
Garanteeritud müravõimsustase:	96 dB (A)	96 dB (A)	96 dB (A)	97 dB (A)

Kuupäev: 04.03.2022

MODENA (I)

Stefano Reverberi


Tegevdirektor

Garantii

Garantii kehtivus vastab toote müümise asukohariigi asjakohastele õigusaktidele (kui tootja ei ole sätestanud teisiti).

Garantii hõlmab garantiiaja jooksul ilmnevat materjali-, konstruktsiooni- ja vastavusdefekte. Selle aja jooksul asendab tootja defektsed osad ja remondib toote, kui see ei ole üleliia kulunud, või asendab selle.

Garantii ei kata tavapäraselt kuluvaid osi (klapp, kolb, veetihend, õlitihend, vedrud, rõngastihendid, lisatarvikud, näiteks voolik, püstol, harjad, rattad jms).

Garantii ei kata defekte, mille on põhjustanud või tinginud:

- väär kasutamine, kuritarvitamine, ettevaatamatus;
- rentimine või profikasutus juhul, kui toode on müüdüd olmekasutuseks
- selles kasutusjuhendis esitatud hooldusjuhiste eiramine;
- remont, mida on teinud vastavate volitusteta töötajad või keskused;
- mitteoriginaalosade või -lisatarvikute kasutamine;
- transportimisest, mustusest või võõrkehade ja õnnetusjuhtumitest tingitud kahjustused;
- probleemid hoiustamisel või ladustamisel.

Garantiikatte saamiseks tuleb esitada ostutõend.

Abi saamiseks, Lk: 285.

Tehnilised andmed

Tehnilised andmed	Seade	DXPW 004 E	DXPW 005 E	DXPW 006 E	DXPW 007 E
Voolukiirus	l/min	10	13,5	15	14
Maksimaalne voolukiirus	l/min	-	-	-	-
Rõhk	MPa	12	18	15	21
Maksimumrõhk	MPa	15	20	17	23
Võimsus	kW	3	5	5	7,4
Maks. sisendtemperatuur	°C	60	60	60	60
Maksimaalne sisendrõhk	MPa	1	1	1	1
Püstoli tõukejõud maksimumrõhu juures	N	24,30	40,10	40,70	44,90
Pumbaõli tüüp	kg	-	-	-	-
Kaitse klass	-	II/⊕	II/⊕	II/⊕	II/⊕
Mootori isolatsioon	Klass	F	F	F	F
Mootori kaitseaste	-	IPX5	IPX5	IPX5	IPX5
Pinge	V/Hz	230/50 1~	400/50 3~	400/50 3~	400/50 3~
Elektrisüsteemi maksimaalselt lubatud näivtakistus	Ω	-	-	-	-
Helirõhutase L_{pA} (EN 60704-1) (K = 2,5 dB(A))	dB (A)	82,1	82,5	82,5	83
Müravõimsustase L_{WA} (EN 60704-1) (K = 2,5 dB(A))	dB (A)	96	96	96	97
Seadme vibratsioon (K = 1 m/s ²):	m/s ²	<2,5	<2,5	<2,5	<2,5
Kaal	kg	38	40	40	64

Tehnilisi andmeid võidakse muuta.

1 TURVAOHJEET

1.1 Hankkimasi kone on huipputeknologinen tuote, jonka on valmistanut yksi Euroopan asiantuntevimmista korkeapainepesurien valmistajista. Olemme laatineet nämä ohjeet, jotta kykenet hyödyntämään koneen suorituskykyä täydellisesti. Lue ne huolellisesti ja noudata niitä jokaisella käyttökerralla. Käytä kaikkia mahdollisia varotoimia koneen liitännän, käytön ja huollon aikana oman ja lähellä olevien henkilöiden turvallisuuden takaamiseksi. Lue turvallisuusmääräykset huolellisesti ja noudata niitä. Noudattamatta jättämisen seurauksena saattaa olla terveys- ja turvallisuusriskejä ja taloudellisia menetyksiä.

2 TIEDOTUKSET

2.1 Noudata koneessa ja näissä ohjeissa olevien tarrojen ja symbolien ohjeita. Koneessa ja oppaassa on ainoastaan symbolit, jotka koskevat hankittua konetta. Tarkista, että koneeseen kiinnitetyt symbolit ja tarrat ovat aina ehjiä ja lukukelpoisia. Vaihda ne muussa tapauksessa uusiin ja kiinnitä alkuperäiseen kohtaan.

 Huomio - vaara!

  Lue ohjeet huolellisesti ennen käyttöä.

 Symboli E2 (jos symboli on kuvassa 1) - Osoittaa, että kone on tarkoitettu ammattikäyttöön. Sitä saavat käyttää ainoastaan henkilöt, joilla on kokemusta, teknistä tuntemusta sekä tietoja standardeista ja laeista ja jotka kykenevät suorittamaan käyttöön ja huoltoon tarvittavat toimenpiteet. Koneita eivät saa käyttää lapset, toimintarajoitteiset henkilöt tai muut henkilöt, joilla ei ole kokemusta tai tietoja koneen käytöstä.

 Liikkuvia osia Älä koske.



0 Katkaisimen sammutusasento

I Katkaisimen käynnistysasento



Taattu äänitehotaso



Kielto, joka varoittaa käyttäjää, että kansalliset määräykset saattavat kieltää koneen liitännän juomavesiverkkoon.



Varoitusmerkki, joka varoittaa käyttäjää suuntaamasta vesisuihkua ihmisiä, eläimiä, sähkölaitteita tai konetta kohti.



Tämän koneen eristysluokka on I. Se tarkoittaa, että kone on varustettu maadoitusjohtimella (ainoastaan jos symboli on koneessa).

CE Tämä kone on soveltuvien eurooppalaisten direktiivien mukainen.



Symboli E1 - Osoittaa, että konetta **ei saa hävittää** kotitalousjätteiden seassa. Se voidaan palauttaa jälleenmyyjälle hankittaessa uusi kone. Koneen sähkö- ja elektroniikkaosia ei tule käyttää uudelleen sopimattomiin tarkoituksiin, sillä ne sisältävät terveydelle haitallisia aineita.



Käytä kuulosuojaimia.



Käytä kasvonsuojainta.



Käytä hengityssuojaimia.



Käytä suojakäsineitä.



Käytä turvajalkineita.



Käytä suojavaatetusta.



3 TURVALLISUUSMÄÄRÄYKSET/MUUT VAARAT**3.1 VAROITUKSIA: KIELLETYT TOIMENPITEET**

- 3.1.1 **HUOMIO.** ÄLÄ anna lasten käyttää konetta ja valvo, etteivät he leiki sillä.
- 3.1.2 **HUOMIO.** Paineistetut suihkut saattavat väärin käytettyinä olla vaarallisia.
- 3.1.3 **HUOMIO.** ÄLÄ käytä koneessa syttyviä, myrkyllisiä tai ominaisuuksiltaan koneen toiminnalle yhteensopimattomia nesteitä. Koneen käyttö on kiellettyä potentiaalisesti syttyvässä tai räjähdysvaarallisessa tilassa.
- 3.1.4 **HUOMIO.** RÄJÄHDYSVAARA ÄLÄ ruiskuta syttyviä nesteitä.
- 3.1.5 **HUOMIO.** ÄLÄ suuntaa vesisuihkua ihmisiä tai eläimiä kohti.
- 3.1.6 **HUOMIO.** ÄLÄ suuntaa vesisuihkua konetta, jännitteisiä osia tai muita sähkölaitteita kohti.
- 3.1.7 **HUOMIO.** ÄLÄ käytä konetta, jos sen toimintasäteellä on henkilöitä, joilla ei ole yllään suojavaatteita.
- 3.1.8 **HUOMIO.** ÄLÄ suuntaa suihkua itseäsi tai muita ihmisiä kohti puhdistaksesi vaatteita tai jalkineita.
- 3.1.9 **HUOMIO.** ÄLÄ käytä konetta ulkona sateella.
- 3.1.10 **HUOMIO.** Koneen käyttö on KIELLETTYÄ lapsilta ja henkilöiltä, jotka eivät tunne sen käyttöä tai jotka eivät ole lukeneet sen ohjeita huolellisesti.
- 3.1.11 **HUOMIO.** ÄLÄ koske pistotulppaa ja/tai pistorasiaa märillä käsillä.
- 3.1.12 **HUOMIO.** ÄLÄ käytä konetta, jos sen sähköjohto on vaurioitunut. Jos sähköjohto vaurioituu, sen saa vaihtaa ainoastaan valmistaja, valtuutettu huoltopalvelu tai ammattihenkilö, jotta vaaratilanteet vältetään.
- 3.1.13 **HUOMIO.** ÄLÄ käytä konetta, jos sähköjohto tai tärkeät osat (esim. suojalaitteet, korkeapaineletkut ja pesupistooli) ovat vaurioituneet.
- 3.1.14 **HUOMIO.** ÄLÄ lukitse pesupistoolin vipua toiminta-asentoon.
- 3.1.15 **HUOMIO.** Tarkista, että koneessa on konekilpi. Ilmoita jälleenmyyjälle, jos se puuttuu. Ellei koneessa ole konekilpeä, sitä EI saa käyttää. Sen ominaisuuksia ei tunneta ja se saattaa olla vaarallinen.
- 3.1.16 **HUOMIO.** ÄLÄ käsittele tai muuta säätöventtiilin ja suojalaitteiden kalibrointia.
- 3.1.17 **HUOMIO.** ÄLÄ muuta suuttimen suihkun alkuperäistä halkaisijaa.
- 3.1.18 **HUOMIO.** ÄLÄ siirrä konetta SÄHKÖJOHDOSTA vetämällä.
- 3.1.19 **HUOMIO.** Älä aja ajoneuvolla korkeapaineletkun päältä.
- 3.1.20 **HUOMIO.** ÄLÄ siirrä konetta korkeapaineletkusta vetämällä.



3.1.21 HUOMIO. Renkasiin, täyttöventtiileihin tai muihin paineistettuihin osiin kohdistettu korkeapainesuihku on potentiaalisesti vaarallinen. Älä käytä pyörivää suutinta. Suihkuta joka tapauksessa vähintään 30 cm:n etäisyydeltä puhdistuksen aikana.

3.1.22 HUOMIO. Älä käytä ei-alkuperäisiä tai eri mallille tarkoitettuja varusteita. Älä muuta konetta; muutokset mitätöivät vaatimustenmukaisuusvakuutuksen ja vapauttavat valmistajan siviili- ja rikosoikeudellisesta vastuusta.

3.2 VAROITUKSIA: SUORITETTAVAT TOIMENPITEET

3.2.1 HUOMIO. Kaikki sähköä johtavat osat TULEE SUOJATA vesisuihkulta.

3.2.2 HUOMIO. Ammattitaitoisen sähköasentajan tulee suorittaa sähköliitäntä standardin IEC 60364-1 mukaan. Asenna vikavirtakytkin, joka katkaisee koneen sähkön maavuotovirran ollessa yli 30 mA 30 ms ajan, tai maadoituspiirin valvontalaite.

3.2.3 HUOMIO. KÄYNNISTYSVAIHEESSA kone saattaa aiheuttaa verkkohäiriöitä.

3.2.4 HUOMIO. Vikavirtakytkimen asennus antaa lisäsuojaa henkilöille (30 mA).

3.2.5 HUOMIO. Ellei mallissa ole pistotulppaa, sen saa asentaa ainoastaan ammattitaitoinen henkilö.

3.2.6 HUOMIO. Käytä ainoastaan valtuutettuja jatkojohtoja, joiden poikkipinta-ala on asianmukainen.

3.2.7 HUOMIO. Kytke katkaisin aina pois jättäessäsi koneen ilman valvontaa.

3.2.8      

HUOMIO. Korkeapaine saattaa aiheuttaa osien kimpoamisen. Käytä asianmukaisia suojavaatteita ja henkilönsuojaimia (PPE).

3.2.9 HUOMIO. IRROTA pistotulppa ennen koneeseen suoritettavia toimenpiteitä.

3.2.10 HUOMIO. PIDÄ pesupistoolista tukevasti kiinni vivusta vetäessäsi rekylyin vuoksi.

3.2.11 HUOMIO. NOUDATA paikallisen vesilaitoksen määräyksiä. Standardin IEC 60335-2-79 mukaan kone voidaan liittää suoraan julkiseen juomavesiverkkoon ainoastaan, jos tulovesiletkuun on asennettu standardin EN 12729 mukainen BA-tyyppin tyhjentävä takaisinvirtauksen estolaite. Takaisinvirtauksen estolaite voidaan tilata valmistajalta.

3.2.12 HUOMIO. Takaisinvirtauksen estolaitteeseen virrannut vesi ei sovellu juomavedeksi.

3.2.13 HUOMIO. AINOASTAAN ammattihenkilö saa huoltaa ja/tai korjata sähköisiä osia.

3.2.14 HUOMIO. PURA jäännöspaine ennen kuin irrotat letkun koneesta.



- 3.2.15 HUOMIO.** TARKISTA ruuvien kireys ja koneen osien käyttökunto ennen jokaista käyttöä ja määrääjoin. Varmista, ettei koneessa ole rikkoutuneita tai kuluneita osia.
- 3.2.16 HUOMIO.** KÄYTÄ ainoastaan korkeapaineletkun / sähköjohdon pinnoitusmateriaaleille sopivia pesuaineita.
- 3.2.17 HUOMIO.** PIDÄ ihmiset ja eläimet vähintään 15 m:n etäisyydellä.
- 3.2.18 HUOMIO.** Kone on suunniteltu käyttöön valmistajan toimittamilla tai suosittelemilla pesuaineilla. Niistä poikkeavien pesuaineiden tai kemikaalien käyttö saattaa heikentää sen turvallisuutta.
- 3.2.19 HUOMIO.** Vältä pesuaineen joutumista iholle ja ennen kaikkea silmiin! Jos sitä joutuu silmiin, huuhto puhtaalla vedellä ja hakeudu välittömästi lääkäriin!
- 3.2.20 HUOMIO.** Korkeapaineletkut, liitokset ja liitoskappaleet ovat koneen turvallisuuden kannalta tärkeitä osia. Käytä ainoastaan valmistajan suosittelemia korkeapaineletkuja, liitoksia ja liitoskappaleita.
- 3.2.21 HUOMIO.** Käytä ainoastaan valmistajan toimittamia tai hyväksymiä alkuperäisiä varaosia, jotta koneen käyttö on turvallista.
- 3.2.22 HUOMIO.** Jos käytetään jatkojohtoa, pistokkeen ja pistorasian rakenteen on oltava vesitiivis.
- 3.2.23 HUOMIO.** Sopimattomat jatkojohdot saattavat olla vaarallisia. Jos käytät jatkojohtoa, valitse ulkokäyttöön sopiva tyyppi ja varmista, että liitäntä pysyy kuivana ja etäällä maasta. Käytä johtokelaa, joka pitää pistorasian vähintään 60 mm:n korkeudella maasta.
- 3.2.24 HUOMIO.** Sammuta kone ja katkaise sen sähkö ennen asennusta, puhdistusta, säätöä, huoltoa, varastointia ja kuljetusta.
- 3.2.25 HUOMIO.** Työnnä putken puhdistusyksikkö punaiseen merkkiin asti ennen koneen käynnistystä.



4 YLEISET OHJEET (KUVA 1)/SIVU 3**4.1 Käyttöoppaan käyttö**

Tämä opas kuuluu tärkeänä osana koneen varusteisiin. Säilytä se huolellisesti tulevaa käyttöä varten. Lue se huolellisesti ennen asennusta ja käyttöä. Luovuta opas uudelle omistajalle, jos myyt painepesurin.

4.2 Toimitus

Kone toimitetaan osittain purettuna pakkivaatikossa. Pakkauksen sisältö on esitelty kuvassa 1.

4.2.1 Ohessa toimitetut asiakirjat

- A1** Käyttö- ja huolto-opas
- A2** Turvaohjeet
- A3** Vaatimustenmukaisuusvakuutus
- A4** Takuusäännöt

4.3 Pakkauksen hävitys

Pakkauksen materiaalit ovat ympäristöystävällisiä. Kierrätä tai hävitä ne käyttömaassa voimassa olevien määräysten mukaan.

5 TEKNISET TIEDOT (KUVA 1)/SIVU 3**5.1 Käyttötarkoitus**

Painepesuri on tarkoitettu yksityiseen ajoneuvojen, koneiden, veneiden, rakennusten jne. pesuun irrottamaan pinttynyt lika puhtaalla vedellä ja biologisesti hajoavilla kemiallisilla pesuaineilla. Ajoneuvojen moottorien pesu on sallittua ainoastaan, jos likainen vesi hävitetään voimassa olevien standardien mukaan.

- Veden tulolämpötila: **katso koneessa olevaa konekilpeä.**
- Veden tulopaine: **min. 0,1 MPa - maks. 1 MPa.**
- Ympäriä lämpötila toiminnan aikana: **yli 0 °C.**

Kone on standardien IEC 60335-1 ja IEC 60335-2-79 mukainen.

5.2 Käyttäjät

Koneen käyttäjä on osoitettu kuvan 1 symbolilla (ammattimainen tai ei-ammattimainen).

5.3 Pääosat

- B2** Tehosuutin
- B3** Turvakatkaisimella varustettu pesupistooli
- B4** Sähköjohto ja pistotulppa (mallista riippuen)
- B5** Korkeapaineletku
- B6** Pesuainesäiliö (mallista riippuen)
- B7** Öljytulppa (mallista riippuen)
- E** Suutin
- F** Pesuaineen säädin (mallista riippuen)
- G** Paineensäädin (mallista riippuen)
- H** Käynnistyskatkaisin
- L** Vedensuodatin

5.3.1 Varusteet (jos sisältyvät pakkaukseen - katso kuva 1)

- | | |
|--|----------------------------|
| C1 Suuttimen puhdistusyökalu | C10 Ruuvit |
| C2 Pyörivä suutin | C11 Seinätelineet |
| C3 Kahva | C12 Vipu |
| C4 Harja | C13 Pesuaineysikkö |
| C5 Letkukela | C14 Pyörät |
| C6 Vedentuloysikkö | C15 Määrätuub |
| C7 Putkien puhdistusyksikkö | C16 Painemittarissa |
| C8 Harjaysikkö suurille pinnoille | C17 Sovitin |
| C9 Sovitin | |

5.4 Suojalaitteet

- Käynnistyskatkaisin (H)
- Käynnistyskatkaisin estää koneen tahattoman käytön.

 **Huomio - vaara!**
Älä käsittele tai muuta varoventtiilin kalibrointia.

- Varo- ja/tai paineenrajoitusventtiili.

Varoventtiili toimii myös paineenrajoitusventtiilinä. Kun pesupistooli suljetaan, venttiili avautuu ja vesi kiertää uudelleen pumpun vedentulo puolelta tai venttiili poistaa veden maahan.

- Termostaattiventtiili (D1) mallista riippuen)

Jos veden lämpötila ylittää valmistajan ilmoittaman lämpötilan, termostaattiventtiili poistaa kuuman veden ja ottaa poistettua vesimäärää vastaavan määrän kylmää vettä, kunnes lämpötila palautuu asianmukaiseksi.

- Turvakatkaisin (D): estää veden tahattoman suihkuamisen.
- Lämpökatkaisin: pysäyttää koneen, jos se ylikuormittuu.

6 ASENNUS (KUVA 2)/SIVU 4**6.1 Kokoonpano**

 **Huomio - vaara!**
Kaikki asennus- ja kokoonpanotoimenpiteet tulee suorittaa koneen virta katkaistuna.

Katso kokoonpanojärjestys kuvasta 2.

6.2 Ilmaustulppien asennus (mallista riippuen)

Jotta öljyvuodot vältetään, kone toimitetaan öljyn täyttöaukot suljettuina punaisilla tulppilla. Vaihda ne toimitettuihin ilmaustulppiin.

6.3 Pyörivän suuttimen asennus

(Mallit, joihin asennettu)

Pyörivä suutin lisää pesutehoa.

Käytettäessä pyörivää suutinta paine saattaa laskea 25 % säädettävällä suuttimella saatua paineeseen nähden. Sen käyttö kuitenkin lisää pesutehoa vesisuihkun pyörivän liikkeen ansiosta.

6.4 Sähkökytkentä

 **Huomio - vaara!**
Tarkista, että verkkojännite ja -taajuus vastaavat konekilvessä annettuja arvoja (V/Hz) (kuva 2).

6.4.1 Jatkojohtojen käyttö

Käytä IPX5-suoja-asteen jatkojohtoja ja pistotulppia.

Jatkojohtojen johtimien poikkipinta-alan tulee olla verrannollinen sen pituuteen; mitä pidempi jatkojohto, sitä suurempi poikkipinta-ala. Katso taulukkoa I.

6.5 Vesiliitäntä

 **Huomio - vaara!**
Painepesuria saa käyttää ainoastaan suodattamalla tai puhtaalla vedellä. Vesihianan virtaaman tulee olla pumpun virtaaman mukainen.

Sijoita kone mahdollisimman lähelle vesiliitäntää.

6.5.1 Liitäntäaukot

- Paineliitin (OUTLET)
- Suodattimella varustettu tulovesiliitin (INLET)

6.5.2 Liitäntä julkiseen vesijohtoverkkoon

Kone voidaan liittää suoraan julkiseen juomavesiverkkoon ainoastaan, jos tulovesiletkuun on asennettu voimassa olevien standardien mukainen tyhjentävä takaisinvirtauksen estolaite. Varmista, että letkun halkaisija on vähintään 13 mm ja pituus alle 25 m ja että se on vahvistettu.

6.5.3 Veden imu avoimista astioista

- 1) Ruuvaa suodattimella varustettu imuletku tulovesiliittiin (INLET) ja upota se astian pohjalle.
- 2) Ilmaa kone:
 - a) Irrota tehosuutin.
 - b) Käynnistä kone ja avaa pesupistoolia, kunnes ulostulovassa vedessä ei ole enää ilmakuplia.
 - 3) Sammuta kone ja ruuvaa tehosuutin takaisin.

Huomautus: maksimi-imukorkeus on 0,5 m. Pyri täyttämään imuletku ennen käyttöä.

7 SÄÄDÖT (KUVA 3)/SIVU 5**7.1 Suuttimen säätö (mallista riippuen)**

Säädä vesisuihkua säädettävästä suuttimesta (E).

7.2 Pesuaineen syötön säätö

Jotta pesuainetta syötetään oikealla paineella, aseta suutin (E) (mallista riippuen)  -asentoon tai asenna pesuaineysikkö (C13) (mallista riippuen) kuten kuvassa.

Säädä pesuaineen määrä säätimestä (F) (mallista riippuen).

7.3 Käyttöpaineen säätö (mallista riippuen)

Säädä käyttöpainetta säätimellä (G). Paine näkyy painemittarissa (jos asennettu).

8 KÄYTTÖ (KUVA 4)/SIVU 5**8.1 Ohjauslaitteet**

- Käynnistyskatkaisin (H)

Aseta käynnistyskatkaisin (ON/I)-asentoon:

a) käynnistäkseen moottorin (malleissa, joissa ei ole TSS-laitetta)
b) asettaaksesi moottorin toimintatilaan (TSS-laitteella varustetuissa malleissa).

Jos käynnistyskatkaisimessa on merkkivalo, sen tulee syttyä.

Aseta käynnistyskatkaisin (OFF/O)-asentoon pysäyttääksesi koneen.

Jos käynnistyskatkaisimessa on merkkivalo, sen tulee sammua.

- Vesisuihkun ohjausvipu (I)

**Huomio - vaara!**

Konetta tulee käyttää tasaisella ja tukevalla tasolla, katso kuva 4.

8.2 Käynnistys (kuva 4)

1) Avaa vesihana kokonaan.

2) Vapauta turvakatkaisin (D).

3) Pidä pesupistooli auki muutama sekunnin ajan ja käynnistä kone katkaisimella (ON/I).

**Huomio - vaara!**

Varmista ennen koneen käynnistystä, että se saa vettä asianmukaisesti; kuivakäyttö vaurioittaa konetta. Älä peitä suuttimen suutinta toiminnan aikana.

TSS-mallit - TSS-malleissa, joissa on automaattinen syötön keskeytys:

- **suljettaessa** pesupistooli dynaaminen paine sammuttaa automaattisesti sähkömoottorin

- **avattaessa** pesupistooli paineen laskeminen käynnistää sähkömoottorin automaattisesti ja paine palautuu huomaamattoman pienellä viiveellä

- TSS-laitteen moitteettoman toiminnan kannalta on tärkeää, että pesupistoolin **sulkemista** ja **aukaisua** eisuoriteta **alle** 4–5 sekunnin kuluessa.

Vältä kuivakäyttöä, ettei kone vaurioidu. Varmista, että kone saa jatkuvasti vettä.

Älä katkaise vesisuihkua yli 5 minuutiksi toiminnan aikana, ettei kone vaurioidu lämpötilan kasvun seurauksena (malleissa, joissa ei ole TSS-laitetta).

8.3 Pysäytys

1) Aseta käynnistyskatkaisin (OFF/O)-asentoon.

2) Avaa pesupistooli ja poista paine putkista.

3) Kytke turvakatkaisin (D).

8.4 Uudelleenkäynnistys

1) Vapauta turvakatkaisin (D).

2) Avaa pesupistooli ja anna ilman poistua putkista.

3) Aseta käynnistyskatkaisin (ON/I)-asentoon.

8.5 Säilytys

1) Sulje vesihana.

2) Pura jäännöspainetta pesupistoolista, kunnes kaikki vesi poistuu koneesta.

3) Sammuta kone (OFF/O).

4) Poista pistotulppa pistorasiasta.

5) Tyhjennä ja pese pesuainesäiliö työskentelyn jälkeen. Käytä säiliön pesuun puhdasta vettä, älä pesuainetta.

6) Aseta pesupistoolin turvakatkaisin (D).

8.6 Pesuaineen täyttö ja käyttö

Pesuaine tulee syöttää kohdassa 7.3 selostetuilla varusteilla ja tavoilla.

Jos käytät koneen ohessa toimitettua alkuperäistä letkua pidempää korkeapaineletkua tai jatkoletkua, pesuaineen tulo saattaa vähentyä tai loppua kokonaan säiliöstä (mallista riippuen).

Täytä säiliö (B6) biologisesti erittäin hajoavalla pesuaineella.

8.7 Suositeltava pesutapa

Liuta lika levittämällä kuivalle pinnalle pesuainetta. Työskentele pystysuorilla pinnoilla alhaalta ylöspäin. Anna pesuaine vaikuttaa 1–2 minuuttia, mutta älä päästä pintaa kuivaksi. Suihkuta korkeapainesuihkulla vähintään 30 cm:n etäisyydeltä ja työskentele alhaalta ylöspäin. Vältä veden leviämistä pesemättömälle pinnalle.

Joissakin tapauksissa lika joudutaan poistamaan mekaanisesti pesuharjoilla.

Korkeapaine ei aina ole paras tapa saada hyviä pesutuloksia, sillä se saattaa vaurioittaa jotakin pintoja. Vältä säädettävän suuttimen neulasuihkun ja pyörivän suuttimen käyttöä aroilla ja maalatuilla pinnoilla ja paineistetuissa osissa (esim. renkaat, täyttöventtiilit jne.). Hyvä pesutulos riippuu yhtä lailla paineesta kuin vesimäärästä.

9 HUOLTO (KUVA 5)/SIVU 6

Kaikki huoltotoimenpiteet, joita ei ole selostettu tässä luvussa, tulee suorittaa valtuutetussa huoltopalvelussa.

**Huomio - vaara!**

Irrota pistotulppa pistorasiasta ennen minkään koneeseen suoritettavan huoltotyön aloittamista.

9.1 Suuttimen puhdistus

1) Irrota tehosuutin pesupistoolista.

2) Poista kaikki lika suuttimen reiästä työkalulla (C1).

9.2 Suodattimen puhdistus

Tarkista tulovesi- (L) ja pesuainesuodatin (mallista riippuen) ennen jokaista käyttöä ja puhdista tarvittaessa ohjeiden mukaan.

9.3 Moottorin vapautus (mallista riippuen)

Jos painepesuri on pitkään käyttämättömänä, kalkkikerääntymät saattavat lukita moottorin. Vapauta moottori kääntämällä moottorin akselia työkalulla (M).

9.4 Öljyn täydennys (mallista riippuen)

Täydennä öljyä täyttöaukosta, kunnes saavutat oikean tason.

Katso öljyn ominaisuudet Tekniset tiedot -taulukosta.

Vaihda öljy 500 käyttötunnin välein.

9.5 Varastointi

Käytä koneessa syövyttämätöntä ja myrkytöntä jäätymisenestoainetta ennen talvisäilytystä.

Säilytä konetta kuivassa paikassa ja suojaa se jäätymiseltä.

10 VARASTOINTI JA KULJETUS (KUVA 5)/SIVU 6

Varastoi varusteet kuvan 5 mukaisesti.

Kuljeta konetta kuvan 5 mukaisesti.

12 KUINKA OLLA VAURIOITTAMATTA PINTOJA**HUOMIO**

- 12.1 Koneen käyttö renkaiden pesuun saattaa vaurioittaa renkaita ja olla vaarallista.
 12.2 Älä suuntaa korkeapaineista suihkua suoraan renkaaseen.
 12.3 Käytä konetta aina matalimmalla paineella suorittaessasi puhdistusta pyörien ja renkaiden lähellä.
 12.4 Älä koskaan käytä turbosuutinta ajoneuvon osien pesuun.
 12.5 Etsi lisätietoja käyttöoppaan osasta: **8.7 Suositeltava pesutapa.**

**EY-vaatimustenmukaisuustodistus**

Me Annovi Reverberi S.p.A. -yrityksestä, Modena, Italia, vakuutamme että seuraava(t) De Walt-kone(et):

Koneen nimi	Korkeapaineipesuri			
Mallinro	DXPW 004 E	DXPW 005 E	DXPW 006 E	DXPW 007 E
Tehonkulutus	3 kW	5 kW	5 kW	7,4 kW

on(ovat) seuraavien direktiivien mukainen(mukaisia):

2006/42/EY, 2014/35/EU, 2011/65/EU, 2015/863/EU, 2012/19/EU, 2014/30/EU, 2000/14/EY (lakiasetus 262/2002).

ja valmistettu seuraavien standardien tai standardoitujen asiakirjojen mukaan: EN 60335-1; EN 60335-2-79; EN 55014-1; EN 55014-2; EN 61000-3-2; EN 61000-3-3; EN 61000-3-11; EN 60704-1; EN 62233; EN IEC 63000

Sen henkilön nimi ja osoite, joka on valtuutettu kokoamaan teknisen eritelmän: Stefano Reverberi / AR Toimitusjohtaja
 Via M.L. King 3 - 41122 Modena, Italia

Direktiivissä 2000/14/EY vaadittu vaatimustenmukaisuuden arviointimenettely on toteutettu liitteen V mukaan.

Mallinro	DXPW 004 E	DXPW 005 E	DXPW 006 E	DXPW 007 E
Mitattu äänitehotaso:	93,5 dB (A)	93,9 dB (A)	93,9 dB (A)	94,4 dB (A)
Taattu äänitehotaso:	96 dB (A)	96 dB (A)	96 dB (A)	97 dB (A)

Pvm: 04.03.2022

MODENA (I)

Stefano Reverberi


 Toimitusjohtaja

Takuu

Takuun voimassaoloaika määritetään tuotteen myyntimaassa voimassa olevissa määräyksissä (ellei valmistaja toisin ilmoita).

Valmistajan takuu kattaa materiaali- ja valmistusviat ja vaatimuksista poikkeavuuden takuun voimassaoloaikana. Siihen sisältyy viallisten osien vaihto ja kohtuullisesti kuluneiden tuotteiden korjaus tai vaihto.

Takuu ei kata normaalisti kuluvia osia (venttiili, mäntä, vesitiivistevä, öljytiiviste, jouset, O-renkaat, varusteet kuten letku, pesupistooli, harjat, pyörät jne.).

Takuu ei kata vikoja, jotka johtuvat seuraavista syistä:

- virheellinen tai kielletty käyttö, laiminlyönti
- ammattikäyttö tai vuokraus, jos kone on myyty kotitalouskäyttöön
- oppaassa annettujen huoltomääräysten noudattamatta jättäminen
- valtuuttamattomien henkilöiden tai huoltopalvelujen suorittamat korjaukset
- ei-alkuperäisten varaosien tai varusteiden käyttö
- kuljetuksen tai ylimääräisten esineiden/aineiden aiheuttamat vauriot, onnettomuus
- varastointiin liittyvät ongelmat.

Takuun voimaan saattamiseksi tulee esittää ostotodistus.

Ota huolto pyynnössä, Sivu: 285.

Tekniset tiedot

Tekniset tiedot	Mitt.	DXPW 004 E	DXPW 005 E	DXPW 006 E	DXPW 007 E
Virtaama	l/min	10	13,5	15	14
Maksimivirtaama	l/min	-	-	-	-
Paine	MPa	12	18	15	21
Maksimipaine	MPa	15	20	17	23
Teho	kW	3	5	5	7,4
Maks. tulolämpötila	°C	60	60	60	60
Maksimitulopaine	MPa	1	1	1	1
Pesupistoolin työntövoima maksimipaineella	N	24,30	40,10	40,70	44,90
Pumpun öljytyyppi	kg	-	-	-	-
Suojausluokka	-	II/⊕	II/⊕	II/⊕	II/⊕
Moottorin eristys	Class	F	F	F	F
Moottorin suojaus	-	IPX5	IPX5	IPX5	IPX5
Jännite	V/Hz	230/50 1~	400/50 3~	400/50 3~	400/50 3~
Suurin sallittu verkkoimpedanssi	Ω	-	-	-	-
Äänenpainetaso L_{pA} (EN 60704-1) (K = 2,5 dB(A))	dB (A)	82,1	82,5	82,5	83
Äänitehotaso L_{WA} (EN 60704-1) ((K = 2,5 dB(A))	dB (A)	96	96	96	97
Koneen tärinä (K = 1 m/s ²):	m/s ²	<2,5	<2,5	<2,5	<2,5
Paino	kg	38	40	40	64

Pidätämme oikeuden teknisiin muutoksiin!

1 CONSIGNES DE SÉCURITÉ

1.1 L'appareil que vous avez acheté est un produit à fort contenu technologique, fabriqué par l'un des plus grands spécialistes de nettoyeurs à haute pression sur le marché européen. Nous vous invitons à lire attentivement et à observer ces quelques lignes pour optimiser davantage ses performances. Pour le raccordement, l'utilisation et la maintenance de l'appareil, veuillez prendre toutes les précautions nécessaires à votre sécurité et à celle des personnes à proximité. Veuillez lire et respecter à la lettre les consignes de sécurité pour ne compromettre ni la santé ni la sécurité des personnes et pour éviter tout dégât matériel.

2 ICÔNES ET SYMBOLES

2.1 Respecter les pictogrammes de sécurité et les symboles figurant sur l'appareil et dans ce manuel.

Seuls les symboles concernant l'appareil acheté sont reproduits sur l'appareil et dans le manuel. S'assurer que les symboles et les pictogrammes de sécurité sur l'appareil sont lisibles et en bon état. Dans le cas contraire, les remplacer en respectant la position d'origine.

 Attention - Danger

 Lire attentivement ces instructions avant emploi.

 Icône E2 (si le symbole est présent sur fig. 1) - Elle indique que l'appareil est conçu pour un usage professionnel, c'est-à-dire pour les personnes qui ont de l'expérience, la connaissance technique, normative, législative et qui sont en mesure d'exécuter les opérations nécessaires à l'utilisation et à la maintenance de l'appareil. Cet appareil ne doit pas être utilisé par des personnes (enfants inclus) dont les capacités physiques, sensorielles ou mentales sont réduites, ou par des personnes sans expérience ni formation.

 Organes en mouvement. Ne pas toucher.

0 Position « arrêt » de l'interrupteur

I Position « marche » de l'interrupteur

 Niveau de puissance acoustique garanti



 Interdiction, avertit l'utilisateur que les réglementations nationales peuvent interdire le raccordement du produit au réseau d'eau potable.



Signal de danger, avertit l'utilisateur de ne pas diriger le jet d'eau vers les personnes, les animaux, les dispositifs électriques, ni vers l'appareil lui-même.

 Classe d'isolation I. L'appareil comporte un conducteur de protection extérieur (borne de terre) (uniquement si le symbole figure sur l'appareil).

 Ce produit observe les directives européennes en vigueur.



Icône E1 - Elle indique l'obligation de **ne pas évacuer** l'appareil comme déchet urbain. Il peut être remis au distributeur au moment de l'achat d'un appareil neuf. Les parties électriques et électroniques de l'appareil ne doivent pas être réutilisées pour un usage impropre, car elles contiennent des substances dangereuses pour la santé.

-  Porter un casque de protection.
-  Porter un masque de protection.
-  Porter un appareil de protection respiratoire.
-  Porter des gants de protection.
-  Porter des chaussures de sécurité.
-  Porter une tenue de protection.



3 CONSIGNES DE SÉCURITÉ/RISQUES RÉSIDUELS

3.1 AVERTISSEMENTS : À NE PAS FAIRE

- 3.1.1 ATTENTION. NE PAS laisser les enfants utiliser l'appareil et veiller à ce qu'ils ne jouent pas avec.
- 3.1.2 ATTENTION. Les jets à haute pression peuvent être dangereux en cas d'utilisation incorrecte.
- 3.1.3 ATTENTION. NE PAS utiliser l'appareil avec des produits inflammables ou toxiques, ou avec tout liquide dont les caractéristiques sont incompatibles avec son mode d'opération. Il est interdit de faire fonctionner l'appareil en atmosphère explosible ou potentiellement inflammable.
- 3.1.4 ATTENTION. DANGER D'EXPLOSION. NE PAS pulvériser de liquides inflammables.
- 3.1.5 ATTENTION. NE PAS diriger le jet d'eau vers les personnes ou les animaux.
- 3.1.6 ATTENTION. NE PAS diriger le jet d'eau vers l'appareil lui-même, des équipements électriques sous tension ou tout autre matériel électrique.
- 3.1.7 ATTENTION. NE PAS utiliser l'appareil si des personnes sont à portée du jet haute pression et sans équipement de protection.
- 3.1.8 ATTENTION. NE PAS diriger le jet d'eau dans sa direction ou dans la direction d'autres personnes dans le but de nettoyer des chaussures ou des vêtements.
- 3.1.9 ATTENTION. NE PAS utiliser l'appareil à l'extérieur par temps de pluie.
- 3.1.10 ATTENTION. L'appareil NE doit en aucun cas être laissé à un enfant ou à une personne incapable de s'en servir correctement.
- 3.1.11 ATTENTION. NE PAS toucher la prise mâle et/ou la prise de courant avec les mains mouillées.
- 3.1.12 ATTENTION. NE PAS utiliser l'appareil si le câble électrique est endommagé. Si le câble électrique est abîmé, le faire remplacer par le fabricant, par un centre d'assistance agréé ou par une personne de qualification similaire pour éviter un danger.
- 3.1.13 ATTENTION. NE PAS utiliser l'appareil si le câble d'alimentation ou des pièces importantes comme, par exemple, les protections, les tuyaux à haute pression, le pistolet, sont abîmés.
- 3.1.14 ATTENTION. NE PAS verrouiller le pistolet en position de marche.
- 3.1.15 ATTENTION. S'assurer que l'appareil comporte une plaquette signalétique. Si celle-ci est manquante, contacter le revendeur. Un appareil sans plaque NE doit PAS être utilisé, car il ne peut pas être identifié et représente donc un danger potentiel.



- 3.1.16 ATTENTION.** NE PAS modifier ni dérégler la vanne de régulation ou les dispositifs de sécurité.
- 3.1.17 ATTENTION.** NE PAS changer le diamètre d'origine de la buse.
- 3.1.18 ATTENTION.** NE PAS tirer sur le CÂBLE ÉLECTRIQUE pour déplacer l'appareil.
- 3.1.19 ATTENTION.** Faire en sorte qu'aucun véhicule ne roule sur le tuyau haute pression.
- 3.1.20 ATTENTION.** NE PAS tirer sur le tuyau haute pression pour déplacer l'appareil.
- 3.1.21 ATTENTION.** Le jet haute pression est potentiellement dangereux lorsqu'il est dirigé vers des pneus, des valves de pneu ou autres objets pressurisés. Ne pas utiliser la buse rotative, et garder une distance d'au moins 30 cm par rapport aux pneus.
- 3.1.22 ATTENTION.** Il est interdit d'utiliser des accessoires qui ne sont ni d'origine ni spécifiques pour le modèle. Toute modification entraîne l'invalidation de la déclaration de conformité et décharge le fabricant de toute responsabilité civile et pénale.

3.2 AVERTISSEMENTS : À FAIRE

- 3.2.1 ATTENTION.** Toutes les pièces conductrices DOIVENT ÊTRE PROTÉGÉES contre les jets d'eau.
- 3.2.2 ATTENTION.** Conformément à la norme CEI 60364-1, faire appel à un électricien qualifié pour les branchements électriques de l'appareil. Il est recommandé d'installer un disjoncteur différentiel qui coupe l'alimentation électrique de l'appareil si le courant de fuite à la terre excède 30 mA pendant 30 ms, ou un dispositif qui garantit la mise à la terre.
- 3.2.3 ATTENTION.** LORS du démarrage, l'appareil peut créer des interférences avec l'alimentation électrique.
- 3.2.4 ATTENTION.** Le fonctionnement avec disjoncteur différentiel offre une protection individuelle supplémentaire (30 mA).
- 3.2.5 ATTENTION.** Sur les modèles sans prise mâle, l'installation doit être confiée à un personnel qualifié.
- 3.2.6 ATTENTION.** Utiliser uniquement les rallonges électriques autorisées de section appropriée.
- 3.2.7 ATTENTION.** Déconnecter toujours l'appareil de l'alimentation électrique avant de le laisser sans surveillance.
- 3.2.8**      

ATTENTION. Le jet haute pression peut faire rebondir les objets. Porter tous les équipements de protection individuelle (EPI) nécessaires pour travailler en sécurité.



- 3.2.9 ATTENTION.** DÉCONNECTER l'appareil (en le débranchant de la prise) avant toute manipulation de nettoyage et d'entretien.
- 3.2.10 ATTENTION.** Veiller à toujours TENIR le pistolet fermement avant d'appuyer sur la gâchette, afin de contrecarrer le recul lors de la mise en route.
- 3.2.11 ATTENTION.** RESPECTER les réglementations locales des autorités de l'eau en matière de connexion de ce type d'appareil aux canalisations. Selon la norme CEI 60335-2-79, l'appareil ne peut être raccordé directement au réseau public de distribution de l'eau potable que si, dans la tuyauterie d'alimentation, est installé un clapet anti-retour de type BA conforme à la norme EN 12729 avec système de vidange incorporé. Le clapet anti-retour peut être acheté chez le fabricant.
- 3.2.12 ATTENTION.** L'eau ayant circulé dans un dispositif anti-refoulement est considérée comme non potable.
- 3.2.13 ATTENTION.** Toute opération de maintenance et/ou de réparation des composants électriques DOIT être effectuée par un personnel qualifié.
- 3.2.14 ATTENTION.** Avant de débrancher le tuyau, DÉCHARGER la pression résiduelle.
- 3.2.15 ATTENTION.** Avant chaque utilisation et de manière régulière, VÉRIFIER que les vis sont bien serrées et que toutes les pièces sont en bon état. S'assurer qu'aucune pièce n'est usée ou cassée.
- 3.2.16 ATTENTION.** N'UTILISER que des détergents compatibles avec le revêtement du tuyau haute pression / câble électrique.
- 3.2.17 ATTENTION.** Les personnes et les animaux DOIVENT RESTER à une distance de 15 m au moins.
- 3.2.18 ATTENTION.** Cet appareil a été conçu pour être utilisé avec le détergent fourni ou préconisé par le fabricant. L'utilisation de tout autre détergent ou produit chimique peut rendre l'utilisation de l'appareil dangereuse.
- 3.2.19 ATTENTION.** Éviter tout contact du détergent avec la peau et surtout avec les yeux ! En cas de contact avec les yeux, rincer abondamment sous le robinet et consulter immédiatement un médecin !
- 3.2.20 ATTENTION.** Les tuyaux à haute pression, les raccords et les joints sont tous importants pour permettre le fonctionnement sécurisé de l'appareil. Utiliser uniquement les tuyaux à haute pression, les raccords et les joints préconisés par le fabricant.
- 3.2.21 ATTENTION.** Utiliser uniquement des pièces de rechange d'origine fournies ou approuvées par le fabricant pour éviter que l'appareil ne devienne dangereux.



- 3.2.22 ATTENTION.** Si vous utilisez une rallonge électrique, la fiche et le socle de prise de courant doivent être de construction étanche.
- 3.2.22 ATTENTION.** Utiliser une rallonge inadaptée peut être dangereux. Si vous devez utiliser une rallonge, celle-ci doit être spécifiquement conçue pour une utilisation en extérieur. La connexion entre le câble et la rallonge doit rester au sec et à distance du sol. C'est pourquoi il est recommandé d'utiliser un enrouleur de rallonge permettant de garder la prise à au moins 60 mm au-dessus du sol.
- 3.2.23 ATTENTION.** Éteindre et débrancher l'appareil avant de le ranger, de le transporter et d'effectuer toute opération de montage, de nettoyage, de réglage et de maintenance.
- 3.2.24 ATTENTION.** Emboîter le déboucheur de canalisations jusqu'au repère rouge avant d'allumer l'appareil.



4 INFORMATIONS GÉNÉRALES (FIG.1)/PAGE 3**4.1 Utilisation du manuel**

Ce manuel fait partie intégrante de l'appareil et doit être conservé pour pouvoir être consulté en cas de besoin. Le lire attentivement avant l'installation/utilisation. En cas de cessations, l'ancien propriétaire doit remettre le manuel au nouveau propriétaire.

4.2 Emballage

L'appareil est livré partiellement démonté, dans un emballage en carton.

Son contenu est représenté sur la fig.1.

4.2.1 Documentation fournie

- A1 Manuel d'utilisation et d'entretien
- A2 Consignes de sécurité
- A3 Déclaration de conformité
- A4 Règles de garantie

4.3 Élimination de l'emballage

Les matériaux de l'emballage ne sont pas dangereux pour l'environnement. Cependant, ils doivent être recyclés ou éliminés conformément aux normes en vigueur dans le pays d'utilisation.

5 INFORMATIONS TECHNIQUES (FIG.1)/PAGE 3**5.1 Domaine d'utilisation**

Cet appareil a été conçu pour laver les véhicules, voitures et bateaux privés, les bâtiments, etc. avec de l'eau claire et des détergents chimiques biodégradables pour enlever la saleté tenace.

Il peut être utilisé pour laver les moteurs uniquement si l'eau sale est évacuée selon les normes en vigueur.

- Température de l'eau en entrée : **voir plaquette signalétique de l'appareil.**

- Pression de l'eau en entrée : **min. 0,1 MPa - max. 1 MPa.**

- Température ambiante de fonctionnement : **supérieure à 0°C.**

L'appareil est conforme aux normes CEI 60335-1 et CEI 60335-2-79.

5.2 Opérateur

Pour identifier l'opérateur chargé de l'usage de l'appareil (professionnel ou non professionnel), voir l'icône représentée sur la fig.1.

5.3 Pièces principales

- B2 Lance
- B3 Pistolet avec loquet
- B4 Câble électrique avec prise mâle (si prévu)
- B5 Tuyau haute pression
- B6 Réservoir de détergent (si prévu)
- B7 Bouchon huile (si prévu)
- E Buse
- F Régulateur détergent (si prévu)
- G Régulateur de pression (si prévu)
- H Dispositif de mise en marche
- L Filtre à eau

5.3.1 Accessoires (si prévus avec la marchandise - voir fig.1)

- | | |
|-------------------------------------|--------------------------------|
| C1 Aiguille de nettoyage de la buse | C10 Vis |
| C2 Buse rotative | C11 Supports |
| C3 Poignée | C12 Gâchette |
| C4 Brosse | C13 Kit détergent |
| C5 Enrouleur | C14 Roues |
| C6 Kit aspiration eau | C15 Tube de graisse lubrifiant |
| C7 Déboucheur de canalisations | C16 Manomètre |
| C8 Kit brosse grandes surfaces | C17 Adaptateur |
| C9 Adaptateur | |

5.4 Dispositifs de sécurité

- Dispositif de mise en marche (H)

Le dispositif de mise en marche évite que l'appareil ne soit actionné accidentellement.

 **Attention - danger!**
Ne pas modifier ni régler la soupape de sécurité.

- Soupape de sécurité et/ou soupape régulatrice de pression.

La soupape de sécurité sert aussi à limiter la pression. Lorsque

la gâchette est relâchée, la soupape s'ouvre et l'eau circule par l'aspiration de la pompe ou est évacuée au sol.

- Robinet thermostatique (D1 si prévu)

Si la température de l'eau dépasse la température prévue par le fabricant, le robinet thermostatique évacue l'eau chaude et aspire une quantité d'eau froide égale à l'eau évacuée jusqu'au rétablissement de la bonne température.

- Loquet (D) : évite que la gâchette ne soit actionnée accidentellement.

- Protection thermique : en cas de surcharge, la protection thermique arrête le moteur de l'appareil.

6 INSTALLATION (FIG.2)/PAGE 4**6.1 Montage**

 **Attention - danger!**

Éteindre et débrancher l'appareil avant toute opération d'installation et de montage.

Pour la séquence de montage, voir fig.2.

6.2 Montage des bouchons de purge (si prévu)

Pour éviter les fuites d'huile, au moment de la livraison, les orifices de remplissage de l'huile sont fermés par des bouchons de couleur rouge qui doivent être remplacés par les bouchons de purge fournis.

6.3 Montage de la buse rotative

(Pour les modèles qui en sont équipés)

Le kit buse rotative augmente la puissance de lavage.

L'utilisation de la buse rotative peut entraîner une baisse de la pression de 25% par rapport à la pression obtenue avec la buse réglable. Quoi qu'il en soit, son utilisation augmente la puissance de lavage par l'effet rotatif transmis au jet d'eau.

6.4 Branchement électrique

 **Attention - danger!**

Vérifier la tension et la fréquence de la prise (V-Hz). Elles doivent correspondre à la tension et à la fréquence indiquées sur la plaque signalétique de l'appareil (fig.2).

6.4.1 Utilisation d'une rallonge

Les câbles et les prises mâles doivent avoir un indice de protection « IPX5 ».

La section d'une rallonge doit être proportionnée à sa longueur. Plus elle est longue, plus la section doit être grande. Voir tableau I.

6.5 Raccordement au réseau d'eau

 **Attention - danger!**

Aspirer uniquement de l'eau filtrée ou propre. Le robinet du réseau d'eau doit garantir un débit égal à celui de la pompe.

Placer l'appareil le plus près possible du point de raccordement au réseau d'eau.

6.5.1 Raccords

- Sortie eau (OUTLET)
- Entrée eau avec filtre (INLET)

6.5.2 Raccordement au réseau public d'eau potable

L'appareil ne peut être raccordé directement au réseau public de distribution de l'eau potable que si, dans la tuyauterie d'alimentation, est installé un clapet anti-retour conforme aux normes en vigueur avec système de vidange incorporé. Utiliser impérativement un tuyau renforcé d'au moins 13 mm de diamètre et de moins de 25 m de long.

6.5.3 Aspiration d'eau depuis un récipient ouvert

1) Visser le tuyau d'aspiration avec filtre sur l'arrivée d'eau (INLET), puis déposer son extrémité sur le fond du récipient.

2) Purger l'appareil :

- a) Dévisser la lance.
- b) Mettre l'appareil en marche et appuyer sur la gâchette du pistolet jusqu'à ce qu'il n'y ait plus de bulles d'air dans l'eau qui s'écoule.

3) Éteindre l'appareil et revisser la lance.

Remarque : la hauteur d'aspiration maximale est de 0,5 m. Il est recommandé de remplir le tuyau d'aspiration avant emploi.

7 RÉGLAGES (FIG.3)/PAGE 5

- 7.1 Réglage de la buse** (si prévu)
Tourner la buse (E) pour ajuster le jet d'eau.
- 7.2 Réglage de la distribution de détergent**
Pour pulvériser le détergent à la bonne pression, mettre la buse (E) (si prévue) en position «  » ou monter le kit détergent (C13) (si prévu) comme montré sur la figure.
Utiliser le régulateur (F) pour doser la quantité de détergent (si prévu).
- 7.3 Réglage de la pression de travail** (si prévu)
Utiliser le régulateur (G) pour ajuster la pression de travail. La pression est mesurée par le manomètre (si présent).

8 UTILISATION (FIG.4)/PAGE 5**8.1 Commandes**

-Dispositif de mise en marche (H).

Mettre le dispositif de mise en marche en pos. (ON/I) pour :

- démarrer le moteur (pour les modèles sans système d'arrêt total/TSS) ;
- préparer le moteur pour son fonctionnement (pour les modèles avec système d'arrêt total/TSS).

Si le dispositif de mise en marche comporte un voyant, celui-ci doit s'allumer.

Mettre le dispositif de mise en marche en pos. (OFF/O) pour éteindre le nettoyeur.

Si le dispositif de mise en marche comporte un voyant, celui-ci doit s'éteindre.

- Gâchette du pistolet (I).

**Attention - danger !**

L'appareil doit fonctionner sur une surface plane et stable, dans la position indiquée sur la fig.4.

8.2 Mise en marche (voir fig.4)

- Ouvrir complètement le robinet d'arrivée d'eau.
- Déverrouiller le loquet (D).
- Appuyer sur la gâchette du pistolet pendant quelques secondes et mettre en marche l'appareil par le dispositif de mise en marche (ON/I).

**Attention - danger !**

Avant de faire fonctionner l'appareil, s'assurer qu'il est raccordé à l'eau. Tout fonctionnement à sec l'endommagerait. Pendant le fonctionnement, ne pas couvrir les grilles d'aération. Modèles TSS - Sur les modèles TSS, avec interruption automatique du refoulement :

- **en relâchant la gâchette** du pistolet, la pression dynamique coupe automatiquement le moteur électrique ;
- **en appuyant sur la gâchette** du pistolet, la chute de pression fait démarrer automatiquement le moteur et la pression se reforme avec un tout petit retard ;
- pour que le système d'arrêt total (TSS) puisse fonctionner correctement, **au moins 4÷5 secondes doivent s'écouler** entre la **pression et le relâchement** de la gâchette, et vice versa.

Pour ne pas endommager l'appareil, éviter de le faire fonctionner à sec et s'assurer qu'il est toujours raccordé correctement à l'eau.

Pour les modèles sans système d'arrêt total (TSS), ne pas interrompre le jet d'eau pendant plus de 5 minutes pour éviter que la hausse de température de l'eau puisse endommager l'appareil.

8.3 Arrêt

- Mettre le dispositif de mise en marche en pos. (OFF/O).
- Appuyer sur la gâchette du pistolet et décharger la pression à l'intérieur des tuyauteries.
- Verrouiller le loquet (D).

8.4 Remise en marche

- Déverrouiller le loquet (D).
- Appuyer sur la gâchette du pistolet et décharger l'air à l'intérieur des tuyauteries.
- Mettre le dispositif de mise en marche en pos. (ON/I).

8.5 Mise hors service

- Fermer le robinet de l'eau.
- Appuyer sur la gâchette du pistolet pour décharger la pression résiduelle et pour évacuer l'eau contenue dans l'appareil.
- Éteindre l'appareil (OFF/O).
- Débrancher l'appareil de la prise.
- Vider et nettoyer le réservoir de détergent à la fin de la séance de travail. Pour laver le réservoir, utiliser de l'eau claire plutôt que du détergent.
- Verrouiller le loquet (D) du pistolet.

8.6 Utilisation du détergent

La pulvérisation du détergent doit se faire avec les accessoires selon les instructions figurant au point 7.3.

L'utilisation d'un tuyau haute pression plus long que le tuyau d'origine ou l'utilisation d'une rallonge supplémentaire peut diminuer ou arrêter complètement l'aspiration du détergent.

Remplir le réservoir (B6) avec un détergent biodégradable.

8.7 Conseils pour un bon lavage

Dissoudre la saleté en appliquant au préalable le mélange d'eau et de détergent sur la surface encore sèche.

Dans le cas des surfaces verticales, le nettoyage s'effectue de bas en haut. Laisser agir pendant 1÷2 minutes, mais sans attendre qu'il sèche. Nettoyer avec le jet haute pression, à partir du bas, en gardant une distance minimale de 30 cm. Éviter que l'eau de rinçage coule sur les surfaces non lavées.

Dans certains cas, l'action mécanique des brosses est nécessaire pour enlever les saletés tenaces.

Le jet haute pression n'est pas toujours la meilleure solution pour un bon lavage, car il peut endommager certaines surfaces. Il est recommandé de ne pas utiliser le jet fin de la buse réglable ni la buse rotative sur des pièces fragiles ou recouvertes de peintures, ou sur des objets pressurisés (ex. pneumatiques, valves de pneu, etc.).

L'efficacité du lavage dépend à la fois de la pression et du volume d'eau utilisé, au même degré.

9 MAINTENANCE (FIG.5)/PAGE 6

Ne pas essayer d'effectuer des opérations de maintenance autres que les opérations décrites dans ce chapitre. Toute autre opération doit être effectuée auprès d'un revendeur agréé avec service après-vente.

**Attention - danger !**

Avant toute intervention sur l'appareil, le débrancher de la prise de courant.

9.1 Nettoyage de la buse

- Dévisser la lance sur le pistolet.
- Enlever toutes les saletés déposées dans le trou de la buse à l'aide de l'aiguille de nettoyage (C1).

9.2 Nettoyage du filtre

Vérifier le filtre d'aspiration (L) et le filtre détergent (si prévu) avant chaque utilisation et, si nécessaire, les nettoyer comme indiqué.

9.3 Débloquage du moteur (si prévu)

En cas d'arrêts prolongés, des dépôts de calcaires peuvent provoquer le bloquage du moteur. Pour débloquer le moteur, tourner l'arbre moteur avec l'outil (M).

9.4 Appoint huile (si prévu)

Faire l'appoint en huile par l'orifice de remplissage pour rétablir le bon niveau.

Pour les caractéristiques de l'huile, voir le tableau « Données techniques ». Il est conseillé de remplacer l'huile après 500 heures d'utilisation.

9.5 Remisage d'hiver

Avant ce remisage, faire fonctionner l'appareil avec du liquide anti-gel non agressif et non toxique.

Ranger l'appareil dans un endroit sec et à l'abri du gel.

10 STOCKAGE ET TRANSPORT (FIG.5)/PAGE 6

Stocker les accessoires comme indiqué sur la fig.5.

Transporter l'appareil comme indiqué sur la fig.5.

11 DÉPANNAGE

Problèmes	Causes possibles	Solutions
La pompe n'atteint pas la pression requise	Buse usée	Remplacer la buse
	Filtre à eau sale	Nettoyer le filtre (L) (fig.5)
	Alimentation en eau insuffisante	Ouvrir complètement le robinet
	Aspiration d'air	Contrôler les raccords
	Air dans la pompe	Éteindre l'appareil, puis appuyer sur la gâchette du pistolet jusqu'à ce que sorte un jet continu. Rallumer.
	Mauvais réglage de la buse	Mettre la buse (E) en position (+) (fig.3)
	Intervention du robinet thermostatique	Attendre que l'eau atteigne la bonne température
La pompe a des fortes fluctuations de pression	Hauteur d'aspiration depuis le récipient ouvert supérieure à 0,5 m	Diminuer la hauteur d'aspiration
	Aspiration de l'eau depuis un réservoir extérieur	Raccorder l'appareil au réseau d'eau
	Température de l'eau en entrée trop élevée	Diminuer la température
	Buse bouchée	Nettoyer la buse (fig.5)
Le moteur vrombit mais ne se met pas en marche	Filtre d'aspiration (L) sale	Nettoyer le filtre (L) (fig.5)
	Tension de réseau insuffisante	Contrôler que la tension de réseau correspond à celle de la plaque signalétique (fig.2)
	Baisse de tension causée par la rallonge	Vérifier les caractéristiques de la rallonge
	Arrêt prolongé de l'appareil	Contacter le Centre d'assistance technique agréé
Le moteur électrique ne démarre pas	Défaillances du système d'arrêt total (TSS)	Contacter le Centre d'assistance technique agréé
	Manque de tension	Vérifier la présence de tension dans le réseau et contrôler que la prise mâle est bien introduite dans la prise (*)
	Défaillances du système d'arrêt total (TSS)	Contacter le Centre d'assistance technique agréé
	Appareil immobilisé depuis longtemps	Par le trou arrière, débloquer le moteur avec l'outil (M) (pour les modèles qui en sont équipés) (fig. 5)
Fuites d'eau	Joint d'étanchéité usés	Remplacer les joints auprès d'un Centre d'assistance technique agréé
	Intervention soupape de sécurité à échappement libre	Contacter le Centre d'assistance technique agréé
Bruit excessif	Température de l'eau trop élevée	Diminuer la température (voir données techniques)
Fuites d'huile	Joint d'étanchéité usés	Contacter le Centre d'assistance technique agréé
Uniquement pour TSS : l'appareil se met en marche bien que la gâchette du pistolet soit relâchée	Mauvais étanchéité dans le circuit haute pression ou dans le circuit de la pompe	Contacter le Centre d'assistance technique agréé
Uniquement pour TSS : en appuyant sur la gâchette du pistolet, l'eau ne sort pas (avec tuyau d'alimentation raccordé)	Buse bouchée	Nettoyer la buse (fig.5)
Le détergent n'est pas aspiré	Buse réglable en position haute pression	Mettre la buse (E) en position « — » (fig.3)
	Détergent trop dense	Diluer avec de l'eau
	Utilisation de rallonges tuyau haute pression	Remettre le tuyau d'origine
	Circuit du détergent encrassé ou étranglé	Rincer avec de l'eau propre et éliminer les étranglements éventuels. Si le problème persiste, consulter un Centre d'assistance technique agréé.
Fuite d'eau par le robinet thermostatique	La température de l'eau à l'intérieur de la tête de pompe a dépassé la valeur maximale indiquée sur la plaque signalétique	Pendant le fonctionnement de l'appareil, ne pas interrompre le jet d'eau pendant plus de 5 minutes

FR

(*) Si le moteur s'arrête soudainement pendant le fonctionnement et ne repart pas, attendre 2-3 minutes avant de tenter de nouveau la mise en marche (**Intervention de la protection thermique**).
Si ce problème se répète plus d'une fois, contacter le Centre d'assistance technique agréé.



12 COMMENT NE PAS ABÎMER LES SURFACES**ATTENTION**

- 12.1 Le jet haute pression peut abîmer les pneus et représenter un danger.
 12.2 Ne pas diriger le jet haute pression directement vers le pneu.
 12.3 Choisir toujours la pression la plus basse pour nettoyer près des roues et des pneus.
 12.4 Ne jamais utiliser la « lance turbo » pour laver une partie quelconque du véhicule.
 12.5 Pour plus d'informations, lire le paragraphe : « 8.7 Conseils pour un bon lavage ».

**Déclaration de conformité CE**

Nous, Annovi Reverberi S.p.A., Modène, Italie, déclarons que l'/les appareil/s De Walt désigné/s ci-dessous :

Dénomination de l'appareil	Nettoyeur haute pression			
N° modèle	DXPW 004 E	DXPW 005 E	DXPW 006 E	DXPW 007 E
Consommation	3 kW	5 kW	5 kW	7,4 kW

est/sont conforme(s) aux directives européennes suivantes :

2006/42/CE, 2014/35/UE, 2011/65/UE, 2015/863/UE, 2012/19/UE, 2014/30/UE, 2000/14/CE (D. Lgs. italien 262/2002).

et est/sont produit(s) dans le respect des normes ou des référentiels ci-après :

EN 60335-1, EN 60335-2-79, EN 55014-1, EN 55014-2, EN 61000-3-2, EN 61000-3-3, EN 61000-3-11, EN 60704-1, EN 62233, EN IEC 63000

Nom et adresse de la personne chargée de constituer le dossier technique : Stefano Reverberi / AR Managing Director

Via ML King, 3 - 41122 Modène, Italie

La procédure d'évaluation pour la conformité à la directive 2000/14/CE a été mise en œuvre dans les conditions précisées dans l'annexe V.

N° modèle	DXPW 004 E	DXPW 005 E	DXPW 006 E	DXPW 007 E
Niveau de puissance acoustique mesuré :	93,5 dB (A)	93,9 dB (A)	93,9 dB (A)	94,4 dB (A)
Niveau de puissance acoustique garanti :	96 dB (A)	96 dB (A)	96 dB (A)	97 dB (A)

Date : 04.03.2022

MODÈNE (I)

Stefano Reverberi


 Managing Director

Garantie

La validité de la garantie est régie par la législation en vigueur dans le pays dans lequel le produit est commercialisé (sauf indication contraire du fabricant). Si le produit est défectueux par suite d'un défaut de matériel, d'un vice de construction ou pour non-conformité pendant la période de validité de la garantie, le fabricant assure le remplacement des pièces reconnues défectueuses, ainsi que la réparation des produits s'ils sont raisonnablement usés ou leur remplacement.

La garantie ne couvre pas les composants sujets à usure normale (soupape, piston, joint d'étanchéité, joint d'huile, ressorts, joints toriques accessoires comme tuyaux, pistolet, brosses, roues, etc.)

La garantie ne couvre pas les défauts causés par :

- utilisation anormale, utilisation non admise ou négligence,
- location ou utilisation professionnelle si le nettoyeur est à usage domestique.
- inobservation des normes de maintenance prévues dans le manuel,
- réparations effectuées par du personnel ou des centres de réparation non agréés,
- utilisation de pièces de rechange ou d'accessoires qui ne sont pas d'origine,
- dommages causés par le transport, par des objets ou des substances étrangères, sinistre,
- problèmes d'emmagasinage ou de stockage.

La preuve d'achat est nécessaire pour activer la garantie.

Pour assistance, Page : 285.

Données techniques

Données techniques	Unité	DXPW 004 E	DXPW 005 E	DXPW 006 E	DXPW 007 E
Débit	l/min	10	13,5	15	14
Débit maximal	l/min	-	-	-	-
Pression	MPa	12	18	15	21
Pression maximale	MPa	15	20	17	23
Puissance	kW	3	5	5	7,4
Température eau d'alimentation maximale	°C	60	60	60	60
Pression maximale eau d'alimentation	MPa	1	1	1	1
Force de recul du pistolet avec pression maximale	N	24,30	40,10	40,70	44,90
Type d'huile pompe	kg	-	-	-	-
Classe de protection	-	II/⊕	II/⊕	II/⊕	II/⊕
Classe d'isolation du moteur	Classe	F	F	F	F
Indice de protection du moteur	-	IPX5	IPX5	IPX5	IPX5
Tension	V/Hz	230/50 1~	400/50 3~	400/50 3~	400/50 3~
Impédance de réseau maximale admissible	Ω	-	-	-	-
Niveau de pression acoustique L_{pa} (EN 60704-1) (K = 2,5 dB(A))	dB (A)	82,1	82,5	82,5	83
Niveau de puissance acoustique L_{pw} (EN 60704-1) (K = 2,5 dB(A))	dB (A)	96	96	96	97
Vibrations de l'appareil (K = 1 m/s ²):	m/s ²	<2,5	<2,5	<2,5	<2,5
Poids	kg	38	40	40	64

Sous réserve de modifications techniques !

1 SIGURNOSNE UPUTE

- 1.1** Uređaj koji ste kupili je tehnološki napredan proizvod koji je izradio jedan od vodećih europskih proizvođača visokotlačnih uređaja za pranje. Kako biste ostvarili najbolje performanse svog uređaja, pažljivo pročitajte ovu brošuru i pridržavajte se uputa svaki put kada koristite uređaj. Tijekom povezivanja, uporabe i servisiranja uređaja poduzmite sve moguće mjere opreza kako biste zajamčili osobnu sigurnost i sigurnost drugih ljudi u neposrednoj blizini. Pažljivo pročitajte sigurnosne odredbe i pridržavajte se ih u svim prilikama; nepoštivanje tih odredbi može dovesti u opasnost vaše zdravlje i sigurnost ili prouzročiti znatnu materijalnu štetu.

2 SIGURNOSNI ZNAKOVI

- 2.1** Pridržavajte se uputa sadržanih u sigurnosnim znakovima i simbolima pričvršćenim na uređaj i navedenih u ovom priručniku.

Uređaj i priručnik sadrže samo one simbole koji se odnose na kupljeni model. Vodite računa da simboli i znakovi na uređaju uvijek budu pričvršćeni na uređaj i da su čitljivi i ako se odvoje od uređaja stavite zamjenske natpise na izvorno mjesto.

 Upozorenje - Oprez - Opasnost

  Molimo vas da prije uporabe pažljivo pročitate ovaj priručnik.

 Simbol E2 (ako se simbol pojavljuje u priručniku) - označava da je uređaj namijenjen za profesionalnu uporabu, odnosno iskusne ljude upoznate s određenim tehničkim, regulatornim i zakonodavnim uvjetima te sposobnima za izvođenje radnji koje se odnose na uporabu i održavanje uređaja. Ovaj uređaj nije namijenjen za uporabu od djece, osoba s umanjenim fizičkim, osjetilnim ili mentalnim sposobnostima, odnosno s nedostatkom iskustva i znanja.

 Pokretni dijelovi. Nemojte dodirivati.

0 Položaj „OFF“ (Isključen)

I Položaj „ON“ (Uključen)

 Zajamčena razina jačine zvuka



 Znak zabrane obavještava korisnike da lokalnim propisima može biti zabranjeno spajanje proizvoda na sustav opskrbe vodom za piće.



Znak upozorenja upozorava korisnike da vodeni mlaz ne usmjeravaju prema ljudima, životinjama, električnoj opremi ili samom proizvodu.

 Ovaj proizvod ima nazivnu izolaciju klase I. To znači da je opremljen zaštitnim provodnikom uzemljenja (samo ako se simbol pojavljuje na uređaju).

 Proizvod je u skladu sa zahtjevima dotične direktive.



E1 simbol - označava da se uređaj **ne smije odlagati** kao komunalni otpad; može se predati distributeru nakon kupnje novog uređaja. Električni i elektronički dijelovi uređaja ne smiju se ponovno upotrebljavati niti zloupotrebljavati jer sadržavaju tvari koje predstavljaju opasnost po zdravlje.

 Nosite zaštitu za uši.

 Nosite zaštitnu masku.

 Nosite zaštitu za dišne organe.

 Nosite zaštitne rukavice.

 Nosite zaštitnu obuću.

 Nosite zaštitnu odjeću.

3 SIGURNOSNA PRAVILA/PREOSTALI RIZICI

3.1 SIGURNOSNE „ZABRANE“

3.1.1 UPOZORENJE. NEMOJTE dopustiti da djeca koriste uređaj, pratite ih kako biste osigurali da se ne igraju strojem.

3.1.2 UPOZORENJE. Mlazovi pod visokim tlakom mogu biti opasni ako se nepravilno koriste.



- 3.1.3 UPOZORENJE. UREĐAJ NEMOJTE** koristiti sa zapaljivim ili otrovnim tekućinama, odnosno bilo kojim drugim proizvodima koji nisu kompatibilni s pravilnim radom. Uporaba uređaja u potencijalno zapaljivim ili eksplozivnim okruženjima je zabranjena.
- 3.1.4 UPOZORENJE. OPASNOST OD EKSPLOZIJE. Uređaj NEMOJTE** rabiti za raspršivanje zapaljivih tekućina.
- 3.1.5 UPOZORENJE. Vodeni mlaz NEMOJTE** usmjeravati prema ljudima ili životinjama.
- 3.1.6 UPOZORENJE. Vodeni mlaz NEMOJTE** usmjeravati prema samom uređaju, električnim dijelovima ili drugoj električnoj opremi.
- 3.1.7 UPOZORENJE. Nikada NEMOJTE** koristiti uređaj kad se u njegovom radnom rasponu nalaze druge osobe osim ako one ne nose zaštitnu odjeću.
- 3.1.8 UPOZORENJE. Mlaz vode nikada nemojte** usmjeravati prema sebi ili drugim osobama kako biste očistili odjeću ili obuću.
- 3.1.9 UPOZORENJE. Uređaj NEMOJTE** rabiti vani dok pada kiša.
- 3.1.10 UPOZORENJE. NEMOJTE** dopustiti djeci, nekompetentnim osobama ili osobama koje nisu pročitale i razumjele upute da rabe ovaj uređaj.
- 3.1.11 UPOZORENJE. NEMOJTE** dodirivati utikač i/ili utičnicu vlažnim rukama.
- 3.1.12 UPOZORENJE. Uređaj NEMOJTE** rabiti ako je električni kabel oštećen. Ako je električni kabel oštećen treba ga zamijeniti proizvođač, ovlaštenu servisnu centar ili druga kvalificirana osoba kako bi se izbjegla sigurnosna opasnost.
- 3.1.13 UPOZORENJE. Nemojte** rabiti stroj ako je oštećen kabel za napajanje ili neki važan dio stroja, poput zaštitnih uređaja, visokotlačnog crijeva ili pištolja s okidačem.
- 3.1.14 UPOZORENJE. NEMOJTE** zaglavljivati okidač u radnom položaju.
- 3.1.15 UPOZORENJE. Provjerite** je li natpisna pločica pričvršćena za uređaj, ako nije, obavijestite distributera. Uređaji bez pločica NE SMIJU se koristiti jer se ne mogu identificirati i potencijalno su opasni.
- 3.1.16 UPOZORENJE. NEMOJTE** namještati ili mijenjati postavku sigurnosnog ventila ili sigurnosnih uređaja.
- 3.1.17 UPOZORENJE. NEMOJTE** mijenjati izvorni promjer glave mlaznice raspršivača.
- 3.1.18 UPOZORENJE. NEMOJTE** pomicati uređaj povlačenjem ELEKTRIČNOG KABELA.
- 3.1.19 UPOZORENJE. Nemojte** dopustiti vozilima da prelaze preko crijeva pod tlakom.
- 3.1.20 UPOZORENJE. NEMOJTE** pomicati uređaj povlačenjem za visokotlačno crijevo.



3.1.21 UPOZORENJE. Kad se usmjeri prema gumama, ventilima guma ili drugim komponentama pod tlakom, visokotlačni mlaz potencijalno je opasan. Nemojte rabiti komplet za rotirajuću mlaznicu i tijekom čišćenja mlaz uvijek držite na razmaku od najmanje 30 cm.

3.1.22 UPOZORENJE. Uporaba neoriginalnih dijelova i drugih rezervnih dijelova koji nisu posebno namijenjeni za dotični model zabranjena je. Zabranjene su sve izmjene uređaja; svaka izmjena čini Deklaraciju o suglasnosti ništavnom i oslobađa proizvođača od odgovornosti i prema građanskom i prema kaznenom zakonu.

3.2 SIGURNOSNE „OBVEZE“

3.2.1 UPOZORENJE. Svi električni provodnici MORAJU BITI ZAŠTIĆENI od vodenog mlaza.

3.2.2 UPOZORENJE. Priključak na električno napajanje treba obaviti osposobljen električar u skladu s normom IEC 60364-1. Mora se instalirati zaštitni strujni uređaj pri kvarovima prema zemlji ili rezidualni strujni uređaj koji će prekinuti napajanje u slučaju da jakost struje u vodu za uzemljenje premaši 30 mA u trajanju od 30 ms.

3.2.3 UPOZORENJE. Uređaj TIJEKOM pokretanja može prouzročiti mrežnu buku.

3.2.4 UPOZORENJE. Uporaba rezidualnog strujnog prekidača (RCB) pruža dodatnu zaštitu za rukovatelja (30 mA).

3.2.5 UPOZORENJE. Modele bez priključnog utikača mora instalirati kvalificirano osoblje.

3.2.6 UPOZORENJE. Koristite samo odobrene produžne kablove odgovarajućeg promjera vodiča.

3.2.7 UPOZORENJE. Kad ostavljate uređaj bez nadzora uvijek isključite prekidač.

3.2.8      

UPOZORENJE. Visoki tlak može prouzročiti odskakivanje dijelova: nosite zaštitnu odjeću (PPE) i potrebnu opremu kako biste osigurali sigurnost rukovatelja.

3.2.9 UPOZORENJE. Prije izvođenja održavanja na uređaju UKLONITE utikač.

3.2.10 UPOZORENJE. Prije nego što pritisnete okidač UHVATITE pištolj čvrsto kako biste onemogućili ponovno savijanje.

3.2.11 UPOZORENJE. PRIDRŽAVAJTE se lokalnih propisa o vodoopskrbi. Prema normi IEC 60335-2-79 uređaj se smije spojiti na glavnu vodovodnu mrežu pitke vode samo ako je opremljen ventilom za sprječavanje povratnog toka i odvodom u skladu s normom EN 12729, tip BA. Ventil za sprječavanje povratnog toka može se naručiti od proizvođača.



- 3.2.12 UPOZORENJE.** Voda koja protекne kroz ventile za sprječavanje povratnog toka smatra se da nije za piće.
- 3.2.13 UPOZORENJE.** Održavanje i/ili zamjenu električnih komponenti MORA izvoditi kvalificirano osoblje.
- 3.2.14 UPOZORENJE.** Prije nego što odvojite crijevo od uređaja, OTPUSTITE preostali tlak.
- 3.2.15 UPOZORENJE.** Prije svake uporabe i u redovitim razdobljima provjerite da su svi vijci čvrsto pritegnuti i da nema pokvarenih ili istrošenih dijelova.
- 3.2.16 UPOZORENJE.** RABITE samo ona sredstva za čišćenje koja neće izazvati hrđanje materijala kojima su obloženi visokotlačno crijevo / električni kabel.
- 3.2.17 UPOZORENJE.** VODITE RAČUNA da se ljudi i životinje nalaze najmanje na udaljenosti od 16 jardi. (15 m).
- 3.2.18 UPOZORENJE.** Ovaj je uređaj namijenjen za uporabu sa sredstvom za čišćenje dostavljenim ili preporučenim od proizvođača. Uporaba sredstava za pranje ili kemikalija može imati neželjeni učinak na sigurnost uređaja.
- 3.2.19 UPOZORENJE.** Pripazite da sredstvo za čišćenje ne dođe u doticaj s kožom, a posebno, očima! U slučaju doticaja s kožom, isperite s puno vode i odmah potražite liječnički savjet!
- 3.2.20 UPOZORENJE.** Visokotlačna crijeva, armature i spojevi važni su za sigurnost uređaja. Koristite samo ona crijeva, armature i spojeve koje preporučuje proizvođač.
- 3.2.21 UPOZORENJE.** Kako biste osigurali sigurnost uređaja, koristite samo proizvođačeve originalne dijelove ili druge dijelove koje je proizvođač odobrio.
- 3.2.22 UPOZORENJE.** Ako se koristi produžni kabel, utikač i utičnica moraju biti vodonepropusne konstrukcije.
- 3.2.23 UPOZORENJE.** Neodgovarajući produžni kablovi mogu biti opasni. U slučaju uporabe produžnog kabela treba voditi računa o tomu da bude prikladan za uporabu na otvorenom, a mjesto priključenja mora biti suho i iznad tla. Uporaba kolotura koji drži utičnicu na najmanje 60 mm iznad tla izričito se preporučuje.
- 3.2.24 UPOZORENJE.** Prije sklapanja, čišćenja, prilagodbi, skladištenja i prijevoza isključite uređaj i odvojite ga od napajanja.
- 3.2.25 UPOZORENJE.** Prije uključivanja uređaj umetnite komplet mlazne cijevi dok ne dođe do crvene oznake.



4 OPĆE INFORMACIJE (SL. 1)/STRANICA 3**4.1 Uporaba priručnika**

Ovaj je priručnik sastavni dio uređaja i trebale ga sačuvati za kasnije. Prije instalacije/uporabe uređaja pažljivo ga pročitajte. Ako se uređaj prodaje, prodavaatelj mora prosljediti priručniku novom vlasniku zajedno s uređajem.

4.2 Isporuka

Uređaj se isporučuje djelomično sklopljen u kartonskoj kutiji.

Paket u kojem se uređaj dostavlja prikazan je na sl. 1.

4.2.1 Dokumentacija priložena uz uređaj

- A1** Priručnik za uporabu i održavanje
- A2** Sigurnosne upute
- A3** Izjave o sukladnosti
- A4** Jamstvene odredbe

4.3 Odlaganje pakiranja

Materijali korišteni za pakiranje uređaja nisu štetni za okoliš ali se i dalje moraju reciklirati ili odložiti u skladu s relevantnim propisima u zemlji u kojoj se uređaj koristi.

5 TEHNIČKE INFORMACIJE (SL. 1)/STRANICA 3**5.1 Namjena**

Uređaj je namijenjen za osobnu uporabu i čišćenje vozila, strojeva, brodova, zgrada i služi za uklanjanje tvrdokorne prljavštine uz uporabu čiste vode i biorazgradivih kemijskih sredstava za čišćenje. Motori vozila mogu se prati samo ako se prijava voda odlaže u skladu s aktualnim važećim propisima.

- Temperatura ulazne vode: **pogledajte podatkovnu pločicu na uređaju.**

- Tlak ulazne vode: **min. 0,1 MPa - maks. 1 MPa.**

- Radna temperatura okoline: **iznad 0°C.**

Uređaj je u skladu s normama IEC 60335-1 i IEC 60335-2-79.

5.2 Rukovatelj

Simbol prikazan na sl. 1 označava rukovatelja kojem je stroj namijenjen (profesionalca ili neprofesionalca).

5.3 Glavni dijelovi

- B2** Bacač
- B3** Pištolj sa sigurnosnom hvataljkom
- B4** Električni kabel s utikačem (na modelima s ovom značajkom)
- B5** Visokotlačno crijevo
- B6** Spremnik sredstva za čišćenje
- B7** Čep za ulje (na modelima s ovom značajkom)
- E** Mlaznica
- F** Regulator sredstva za čišćenje (na modelima s ovom značajkom)
- G** Regulator tlaka (na modelima s ovom značajkom)
- H** Pokretač
- L** Vodeni filtar

5.3.1 Pribor (ako je uključen u isporučeni paket – pogledajte sl. 1)

- | | |
|--|---|
| C1 Alat za čišćenje mlaznice | C9 Adapter |
| C2 Komplet za rotirajuću mlaznicu | C10 Vijci |
| C3 Ručka | C11 Nosači |
| C4 Četka | C12 Poluga |
| C5 Kolutur za crijevo | C13 Komplet sredstva za čišćenje |
| C6 Komplet za usisavanje vode | C14 Kotači |
| C7 Komplet cijevne mlaznice | C15 Cijev za mazivo |
| C8 Komplet četke za čišćenje velikih površina | C16 Mjeraču tlaka |
| | C17 Adapter |

5.4 Sigurnosni uređaji

- Pokretač (H)

Pokretač je uređaj koji sprječava nehотиčnu uporabu uređaja.

 **Upozorenje - opasnost!**
Nemojte namještati ili mijenjati postavku sigurnosnog ventila ili sigurnosnih uređaja

- Sigurnosni ventil i/ili ventil za ograničenje tlaka.

Sigurnosni ventil je i ventil za ograničenje tlaka. Kad se otpusti okidač pištolja, ventil se otvara i voda kruži kroz ulaz crpke ili se ispušta na tlo.

- Termostatski ventil (D1 ako je ugrađen)

Ako temperatura vode premašuje temperaturu koju je odredio proizvođač, termostatski ventil ispušta vruću vodu i usisava količinu hladne vode koja je jednaka količini ispuštene vode sve dok ne uspostavi odgovarajuća temperatura.

- Sigurnosna hvataljka (D): sprječava nehottično raspršivanje vode.

- Prekidač za preopterećenje: zaustavlja uređaj u slučaju preopterećenja.

6 INSTALACIJA (SL. 2)/STRANICE 4**6.1 Sklapanje**

 **Upozorenje - opasnost!**
Instalacija i sklapanje moraju se izvesti dok je uređaj isključen iz elektroenergetske mreže.

Slijed sklapanja prikazan je na sl. 2.

6.2 Postavljanje čepova za tlak (na modelima s ovom značajkom)
 Kako bi se spriječilo curenje ulja, uređaj se dostavlja s ulazima ulja zabrtvljenima crvenim čepovima koje treba zamijeniti s isporučivim čepovima za otpuštanje tlaka.

6.3 Postavljanje rotirajuće mlaznice

(Za modele s ovom značajkom)

Komplet rotirajuće mlaznice omogućuje veću snagu pranja.

Uporaba rotirajuće mlaznice može dovesti do smanjenja tlaka od 25 % u usporedbi s tlakom koji se postiže pomoću prilagodljive mlaznice. Međutim, zahvaljujući rotaciji mlaza vode, komplet za rotirajuću mlaznicu ima veću snagu pranja.

6.4 Električni spojevi

 **Upozorenje - opasnost!**
Provjerite da ulazni električni napon i frekvencija (V-Hz) odgovaraju onima navedenima na podatkovnoj ploči (sl. 2).

6.4.1 Uporaba produžnih kabela

Koristite samo one produžne kabele s razinom zaštite „IPX5“.

Promjer produžnog kable treba biti razmjern njegovoj duljini, što je kabel dulji promjer treba biti veći. Pogledajte tablicu 1.

6.5 Priključci na dovod vode

 **Upozorenje - opasnost!**
Za rad s uređajem treba koristiti samo čistu ili filtriranu vodu. Brzina protoka ulazne slavine vode treba biti jednaka brzini protoka crpke.

Postavite uređaj što je bliže moguće sustavu za dovod vode.

6.5.1 Točke priključaka

- Vodeni izlaz (IZLAZ)
- Vodeni ulaz s filtrom (ULAZ)

6.5.2 Spajanje na vodovodnu mrežu
 Uređaj se smije spojiti na glavnu vodovodnu mrežu pitke vode samo ako je opremljen ventilom za sprječavanje povratnog toka u skladu s važećim propisima. Crijevo treba imati promjer od najmanje 13 mm, biti ojačano i ne dulje od 25 m.

6.5.3 Usisavanje vode iz otvorenih spremnika

1) Montirajte dovodno crijevo s filtrom na ULAZ za vodu i umetnite ga na dno spremnika.

2) Provjetrite zrak iz uređaja:

- a) Odvijte bacač.
- b) Pokrenite uređaj i držite pištolj otvorenim sve dok zračni mjehurići ne prstane izlaziti van.
- 3) Isključite uređaj i zavrnite bacač.

N.B.: najveća visina usisa je 0,5 m. Usisno crijevo treba napuniti prije uporabe.

7 PRILAGODBE (SL. 3)/STRANICA 5

- 7.1 Prilagodba mlaznice za raspršivanje** (Za modele s ovom značajkom)
Protok vode prilagođava se regulacijom mlaznice (E).
- 7.2 Namještanje sredstva za čišćenje**
Za isporuku sredstva za čišćenje na odgovarajućem tlaku, postavite mlaznicu (E) (ako je ugrađena) na "■" ili postavite komplet sredstva za čišćenje (C13) (ako je dostupan) kao što je prikazano. Količina isporučenog sredstva za čišćenje prilagođava se pomoću regulatora (F).
- 7.3 Prilagodba radnog tlaka** (na modelima s ovom značajkom)
Regulator (G) koristi se za prilagodbu radnog tlaka. Tlak je prikazan na mjerjaču tlaka (ako je ugrađen).

8 INFORMACIJE O UPORABI UREĐAJA (SL. 4)/STRANICA 5**8.1 Kontrola**

- Pokretač (H).

Postavite prekidač pokretača (ON/I) na:

- pokrenite motor (na modelima bez uređaja TSS);
- postavite motor u stanje pripravnosti za pokretanje (na modelima s uređajem TSS).

Ako postoji glavno svjetlo na uređaju pokretača, trebalo bi se uključiti. Postavite uređaj prekidača na (OFF/0) kako biste zaustavili uređaj.

Ako postoji glavno svjetlo na uređaju pokretača, trebalo bi se isključiti.

- Kontrolna poluga vodene mlaznice (I).

⚠ Upozorenje - opasnost!
Tijekom rada uređaj treba biti postavljen kao što je prikazano na sl. 4 na čvrstu, stabilnu površinu.

8.2 Pokretanje (pogledajte sl. 4)

- Okrnite slavinu za dovod vode u potpunosti.
- Otpustite sigurnosnu hvataljku (D).
- Pritisnite okidač pištolja nekoliko sekundi i onda pokrenite uređaj koristeći prekidač (ON/I).

⚠ Upozorenje - opasnost!
Prije pokretanja uređaja provjerite da uređaj pravilno uzima vodu, uporaba uređaja bez vode prouzročit će oštećenja. Nemojte pokrivati rešetke ventilatora dok je uređaj u uporabi

Modeli s TSS-om - na modelima s TSS-om s automatskim sustavom za prekid dolaznog protoka:

- kad je okidač pištolja **otpušten** dinamički tlak automatski prekida motor;
- kad je okidač pištolja **pritisnut** automatskim padom tlaka pokreće se motor, a tlak se vraća u početno stanje nakon kratke odgode;
- ako TSS pravilno funkcionira, svako **puštanje** okidača pištolja i **pritisnjanje** mora se izvršavati **najmanje** 4-5 sekundi nakon prethodne radnje.

Kako biste spriječili oštećenje uređaja, nemojte dopustiti da radi na suho i provjerite da je opskrbljen vodom.

Zbog povećanja temperature vode, nemojte prekidati mlaz vode na dulje od 5 minuta dok uređaj radi.

8.3 Zaustavljanje

- Postavite prekidač pokretača na (OFF/0).
- Pritisnite okidač pištolja i otpustite rezidualni tlak unutar cijevi.
- Pokrenite sigurnosnu hvataljku (D).

8.4 Ponovno pokretanje

- Otpuštanje sigurnosne hvataljke(D).
- Pritisnite okidač pištolja i otpustite rezidualni zrak iz cijevi.
- Postavite pokretač na (ON/I).

8.5 Pohrana

- Isključite slavinu za dovod vode.
- Otpustite rezidualni tlak iz pištolja sve dok voda ne izađe iz uređaja.

- Isključite uređaj (OFF/0).
- Uklonite utikač iz utičnice.
- Ispustite i isperite spremnik sredstva za čišćenje na kraju radne sesije. Za pranje spremnika koristite čistu vodu umjesto sredstva za čišćenje
- Priključite sigurnosnu hvataljku pištolja (D).

8.6 Dopunjavanje i uporaba sredstva za čišćenje
Sredstvo za čišćenje mora se isporučiti pomoću dodatnog pribora i u skladu s postupcima opisanima u točki 7.3.

Uporaba visokotlačnog crijeva duljeg od crijeva isporučenog s uređajem ili uporaba crijeva s dodatnim nastavkom može oslabiti ili u potpunosti zaustaviti usisavanje sredstva za čišćenje.

Napunite spremnik (B6) visoko biorazgradivim sredstvom za čišćenje.

8.7 Preporučeni postupak čišćenja

Uklonite prljavštinu tako što ćete nanijeti sredstvo za čišćenje pomiješano s vodom prvo na suhu površinu.

Ako čistite uspravne površine krenite od dna prema vrhu. Ostavite sredstvo za čišćenje da stoji 1-2 minute, ali nemojte dopustiti da se površina osuši. Počnite rabiti visokotlačnu mlaznicu najmanje na udaljenosti od 30 cm. Nemojte dopustiti da voda za ispiranje teče po neopranim površinama.

U nekim će slučajevima za otklanjanje prljavštine biti potrebno ribanje četkom.

Visok tlak nije uvijek najbolje rješenje za dobre rezultate čišćenja jer može oštetiti neke površine. Za osjetljive ili lakirane dijelove kao i kod komponenti koje se nalaze pod tlakom (npr. guma, ventila za napuhavanje itd.) ne smije se koristiti ni najfinija postavka prilagodljive mlaznice niti rotirajuće mlaznice.

Učinkovito čišćenje podjednako ovisi i o tlaku i o volumenu korištene vode.

9 ODRŽAVANJE (SL. 5)/STRANICA 6

Sve radnje održavanja koje nisu obuhvaćene u ovom poglavlju treba izvesti ovlašteni prodajni i servisni center.

⚠ Upozorenje - opasnost!
Prije izvođenja bilo kakvog rada na uređaju isključite ga iz utičnice za napajanje.

9.1 Čišćenje mlaznice

- Odvijte bacač od mlaznice.
- Uklonite naslage prljavštine iz rupe mlaznice pomoću alata (C1).

9.2 Čišćenje filtra

Prije svake uporabe pregledajte usisni filter (L) i filter sredstva za čišćenje (ako je ugrađen) te ih po potrebi očistite u skladu s uputama.

9.3 Odglavlivanje motora (na modelima s ovom značajkom)

Tijekom duljih zaustavljanja naslage kamenca mogu prouzročiti prestanak rada motora. Kako biste odglavili motor, okrenite osovinu pogona pomoću alata (M).

9.4 Dolijevanje ulja (za modele s ovom značajkom)

Nalijte ulje kroz ulaznu rupu dok ne dođe do odgovarajuće razine.

Karakteristike ulja potražite u tablici „Tehnički podaci“.

Ulje je potrebno mijenjati nakon svakih 500 sati uporabe.

9.5 Skladištenje na kraju sezone

Prije nego što uređaj pohranite pred zimu pustite ga da radi neko vrijeme s nekorozivnim, netoksičnim antifrizom. Uređaj čuvajte na suhom mjestu, zaštićen od smrzavanja.

10 SKLADIŠTENJE I PRIJEVOZ (SL. 5)/STRANICA 6

Čuvajte pribor kao što je prikazano na sl. 5. Prevezite uređaj kako što je prikazano na slici 5.

12 KAKO IZBJEĆI OŠTEĆENJE POVRŠINA**UPOZORENJE**

- 12.1 Upotreba uređaja za pranje guma može oštetiti gume i može predstavljati opasnost.
- 12.2 Nikad ne usmjeravajte visokotlačni mlaz izravno na gumu.
- 12.3 Pri čišćenju oko kotača i guma uređaj za pranje uvijek namjestite na najnižu postavku tlaka.
- 12.4 Nikada nemojte koristiti „turbo pištolj“ za pranje bilo kojeg dijela vozila.
- 12.5 Dodatne informacije potražite u odjeljku: „8.7 Preporučeni postupci čišćenja“.

**Izjava o sukladnosti sa standardima Europske zajednice**

Mi, Annovi Reverberi S.p.A, izjavljujemo da je sljedeći stroj (strojevi) tvrtke De Walt:

Oznaka stroja	Visokotlačni uređaj za pranje			
Br. modela	DXPW 004 E	DXPW 005 E	DXPW 006 E	DXPW 007 E
Nazivna snaga	3 kW	5 kW	5 kW	7,4 kW

u skladu sa sljedećim europskim direktivama:

2006/42/EZ, 2014/35/EU, 2011/65/EU, 2015/863/EU, 2012/19/EU, 2014/30/EU i 2000/14/EZ

i da je proizveden u skladu sa sljedećim normama ili normiranim dokumentima:

EN 60335-1; EN 60335-2-79; EN 55014-1; EN 55014-2; EN 61000-3-2; EN 61000-3-3; EN 61000-3-11; EN 60704-1; EN 62233; EN IEC 63000

Ime i adresa osobe odgovorne za izdavanje tehničke dokumentacije: Stefano Reverberi / AR Glavni direktor

Via ML King, 3 - 41122 Modena, Italija

Postupak procjene sukladnosti koji propisuje Direktiva 2000/14/EZ izveden je u skladu s Prilogom V.

Br. modela	DXPW 004 E	DXPW 005 E	DXPW 006 E	DXPW 007 E
Izmjerena razina jačine zvuka:	93,5 dB (A)	93,9 dB (A)	93,9 dB (A)	94,4 dB (A)
Zajamčena razina jačine zvuka:	96 dB (A)	96 dB (A)	96 dB (A)	97 dB (A)

Datum: 04.03.2022.

MODENA (I)

Stefano Reverberi


Glavni direktor

Jamstvo

Valjanost jamstva u skladu je s odgovarajućim zakonodavstvom u zemlji u kojoj se proizvod prodaje (osim ako proizvođač ne navede drukčije).

Jamstvo se odnosi na materijale, izradu i kvarove povezane s usklađenošću tijekom jamstvenog razdoblja, u kojem će proizvođač zamijeniti pokvarene dijelove i popraviti proizvod ako nije pretjerano istrošen, odnosno zamijeniti uređaj.

Jamstvo se ne odnosi na dijelove podložne uobičajenom trošenju i habanju (ventile, klip, vodenu brtvu, uljnu brtvu, O-prstene, pomoćni pribor kao što je crijevo, četkice, kotači, itd.);

Jamstvo se ne odnosi na kvarove prouzročene ili nastale uslijed:

- nepravilne uporabe, zlouporabe, nemara,
- iznajmljivanja ili profesionalne uporabe, ako je proizvod namijenjen uporabi u kućanstvu,
- nepridržavanja uputa o održavanju navedenih u ovom priručniku,
- servisiranja u neovlaštenim centrima ili od neovlaštenih osoba,
- uporabe neoriginalnih dijelova ili pribora,
- štete prouzročene prijevozom, prljavštinom ili stranim objektima, nezgodama
- poteškoća pri pohrani i skladištenju.

Da biste aktivirali jamstvo morate predočiti potvrdu o kupnji.

Ako vam je potrebna pomoć, Stranica: 285.

Tehnički podaci

Tehnički podaci	Jedinica	DXPW 004 E	DXPW 005 E	DXPW 006 E	DXPW 007 E
Brzina protoka	l/min	10	13,5	15	14
Maksimalna brzina protoka	l/min	-	-	-	-
Tlak	MPa	12	18	15	21
Maksimalni tlak	MPa	15	20	17	23
Snaga	kW	3	5	5	7,4
Maksimalni ulazni temperatura	°C	60	60	60	60
Maksimalni ulazni tlak	MPa	1	1	1	1
Odbojna snaga pištolja pri maksimalnom tlaku	N	24,30	40,10	40,70	44,90
Vrsta crpke ulja	kg	-	-	-	-
Klasa zaštite	-	I/⊕	I/⊕	I/⊕	I/⊕
Izolacija motora	Klasa	F	F	F	F
Zaštita motora	-	IPX5	IPX5	IPX5	IPX5
Napon	V/Hz	230/50 1~	400/50 3~	400/50 3~	400/50 3~
Maksimalni dopušteni otpor električnog sustava	Ω	-	-	-	-
Razina zvučnog tlaka L_{pA} (EN 60704-1) (K = 2,5 dB(A))	dB (A)	82,1	82,5	82,5	83
Razina jačine zvuka L_{WA} (EN 60704-1) (K = 2,5 dB(A))	dB (A)	96	96	96	97
Vibracija uređaja (K = 1 m/s ²):	m/s ²	<2,5	<2,5	<2,5	<2,5
Težina	kg	38	40	40	64

Podložno tehničkim izmjenama!

1 BIZTONSÁGI UTASÍTÁSOK

1.1 Az Ön által megvásárolt készülék a nagynyomású tisztítóberendezések egyik vezető európai gyártója által tervezett, fejlett technológiájú termék. A lehető legjobb teljesítmény elérése érdekében gondosan olvassa el ezt a füzetet, és a használat során kövesse a benne szereplő utasításokat. A készülék csatlakoztatása, használata és szervizelése során a saját és a közvetlen közelében tartózkodók biztonsága érdekében tegyen meg minden lehetséges óvintézkedést. Gondosan olvassa el és mindig tartsa be a biztonsági előírásokat; ennek elmulasztása személyi sérülést vagy komoly anyagi kárt okozhat.

2 BIZTONSÁGI JELÖLÉSEK

2.1 Tartsa be a készüléken és a kézikönyvben található biztonságtechnikai jelölések utasításait.

A készülék és a kézikönyv csak a megvásárolt típusra vonatkozó szimbólumokkal van ellátva. Ellenőrizze, hogy a készüléken elhelyezett szimbólumok és jelek megvannak-e és jól láthatóak-e; hiányuk esetén eredeti helyükön pótolja azokat.

 Figyelem - fontos - veszély

  Használat előtt gondosan olvassa el ezt az útmutatót.

 E2 jelölés (ha a kézikönyvben szerepel) – Azt jelzi, hogy a készülék ipari felhasználásra szolgál, azaz olyan tapasztalt személyek használhatják, akik ismerik a vonatkozó műszaki, szabályozási és jogi körülményeket, valamint alkalmasak a berendezés használatára és karbantartására. Rendeletetését tekintve a készüléket nem használhatják gyermekek, csökkent fizikai, érzékszervi vagy szellemi képességű, illetve kellő tapasztalattal és ismerettel nem rendelkező személyek.

 Mozgó alkatrészek. Ne érjen hozzá.

0 Kapcsoló „KI” állása

I Kapcsoló „BE” állása

 Garantált hangteljesítményszint



 Tiltó jelzés, amely szerint bizonyos helyi szabályok tilthatják a termék ivóvízellátó hálózathoz történő csatlakoztatását.

 Veszélyre utaló jelzés, amely szerint nem szabad a vízsugarat emberekre, állatokra, elektromos berendezésekre vagy magára a termékre irányítani.

 A termék az I. érintésvédelmi osztályba tartozik. Ez azt jelenti, hogy földelő védővezetékekkel rendelkezik (csak ha a szimbólum a készüléken szerepel).

CE A termék megfelel a vonatkozó európai előírásoknak.

 E1 jelölés – Azt jelzi, hogy a berendezést **tilos háztartási hulladékként kezelni**; ehelyett új készülék vásárlása esetén a kereskedőnél leadható. A berendezés villamos és elektronikai alkatrészeit tilos nem megfelelő célra újból felhasználni, mert egészségre ártalmas anyagokat tartalmaznak.

 Viseljen hallásvédő eszközt.

 Viseljen védőmaszkot.

 Viseljen légzésvédő eszközt.

 Viseljen védőkesztyűt.

 Viseljen munkavédelmi lábbelit.

 Viseljen munkavédelmi ruházatot.

3 BIZTONSÁGI ELŐÍRÁSOK / JÁRULÉKOS KOCKÁZATOK

3.1 BIZTONSÁGI TILTÁSOK

3.1.1 FIGYELMEZTETÉS. Ne engedje, hogy gyermekek használják a készüléket; felügyeletükkel biztosítsa, hogy semmiképpen ne játszhassanak vele.

3.1.2 FIGYELMEZTETÉS. A nagynyomású vízsugár nem megfelelő használat esetén veszélyt jelenthet.



- 3.1.3 FIGYELMEZTETÉS.** NE használjon gyúlékony vagy mérgező folyadékot, illetve bármilyen olyan terméket a készülékhez, amely nem összeegyeztethető annak helyes használatával. A készüléket tilos gyúlékony vagy robbanásveszélyes környezetben használni.
- 3.1.4 FIGYELMEZTETÉS. ROBBANÁSVESZÉLY.** NE használja a készüléket gyúlékony folyadék permetezésére.
- 3.1.5 FIGYELMEZTETÉS.** NE irányítsa a vízsugarat emberekre vagy állatokra.
- 3.1.6 FIGYELMEZTETÉS.** NE irányítsa a vízsugarat magára a készülékre vagy annak feszültség alatt álló részeire, illetve más elektromos berendezésekre.
- 3.1.7 FIGYELMEZTETÉS.** NE használja a készüléket, ha hatósugarán belül emberek tartózkodnak, kivéve, ha védőruházatot viselnek.
- 3.1.8 FIGYELMEZTETÉS.** NE irányítsa a vízsugarat önmagára vagy másokra a ruházat vagy lábbeli megtisztítására.
- 3.1.9 FIGYELMEZTETÉS.** NE használja a készüléket a szabadban, esős időben.
- 3.1.10 FIGYELMEZTETÉS.** NE engedje, hogy a készüléket gyermekek, hozzá nem értők, vagy olyan személyek használják, akik nem olvasták el és nem értették meg a berendezés használati útmutatóját.
- 3.1.11 FIGYELMEZTETÉS.** NE érintse meg a hálózati csatlakozódugót vagy a csatlakozóaljzatot nedves kézzel.
- 3.1.12 FIGYELMEZTETÉS.** NE használja a készüléket, ha elektromos vezetéke megsérült. A vezetéket sérülés esetén a biztonsági veszélyeztetés elkerülése érdekében a gyártónak, valamely márkaszervizének, vagy egy szakképzett személynek ki kell cserélnie.
- 3.1.13 FIGYELMEZTETÉS.** Ne használja a készüléket, ha egy tápkábel vagy bármely más fontos alkatrész (pl. biztonsági eszközök, nagynyomású tömlők, pisztoly) sérült.
- 3.1.14 FIGYELMEZTETÉS.** NE rögzítse a szórópisztoly ravaszát a vízsugár bekapcsolt állapotában.
- 3.1.15 FIGYELMEZTETÉS.** Ellenőrizze, hogy a műszaki adatokat tartalmazó tábla rögzítve van-e a készüléken; ha nincs, értesítse a kereskedőt. A táblával nem rendelkező készülékeket TILOS használni, mivel beazonosíthatatlanok, és így veszélyesek lehetnek.
- 3.1.16 FIGYELMEZTETÉS.** Ne nyúljon hozzá a biztonsági szelephez és a biztonsági eszközökhöz, valamint ne módosítsa azok beállításait.
- 3.1.17 FIGYELMEZTETÉS.** Ne változtassa meg a szórófej fúvókájának átmérőjét.
- 3.1.18 FIGYELMEZTETÉS.** Ne mozgassa a készüléket az ELEKTROMOS KÁBELNÉL húzva.
- 3.1.19 FIGYELMEZTETÉS.** Ügyeljen arra, hogy ne hajthassanak át gépjárművek a nagynyomású tömlőn.
- 3.1.20 FIGYELMEZTETÉS.** Ne mozgassa a készüléket a nagynyomású tömlőnél húzva.



3.1.21 FIGYELMEZTETÉS. A gumiabroncsokra, abroncsszelepekre és egyéb nyomás alatt lévő részekre irányított vízszög veszélyes lehet. Ne használja a forgófúvóka-készletet, és a vízszaggal történő tisztítás során mindig tartson legalább 30 cm-es távolságot.

3.1.22 FIGYELMEZTETÉS. Tilos nem eredeti tartozékokat vagy olyan pótalkatrészeket használni, amelyek nem kifejezetten az adott típushoz készültek. Tilos a készüléken bármiféle változtatás végrehajtani. A készülék változtatása esetén a megfelelőségi nyilatkozat érvényét veszti, és a gyártó mentesül minden polgár- és büntetőjogi felelősség alól.

3.2 BIZTONSÁGI KÖVETELMÉNYEK

3.2.1 FIGYELMEZTETÉS. Minden elektromos vezetékét VÉDENI KELL a vízszaggártól.

3.2.2 FIGYELMEZTETÉS. Az elektromos tápcsatlakozást szakképzett villanszerelőnek kell elvégeznie az IEC 60364-1 szabványnak megfelelően. Amennyiben a földelésre jutó kapacitív áram 30 ms időtartamig meghaladja a 30 mA értéket, a készüléket áramellátás- vagy földzárlat-megszakító áramvédő kapcsolóval kell ellátni.

3.2.3 FIGYELMEZTETÉS. Indítás SORÁN a készülék hálózati zajt okozhat.

3.2.4 FIGYELMEZTETÉS. A kezelő biztonsága hibaáram-védőkapcsoló használatával fokozható (30 mA-ig).

3.2.5 FIGYELMEZTETÉS. A csatlakozó nélküli készülékek beüzemelését kizárólag szakképzett személyzet végezheti.

3.2.6 FIGYELMEZTETÉS. Kizárólag megfelelő keresztmetszettel és minőségi tanúsítvánnyal rendelkező elektromos hosszabbítók használata engedélyezett.

3.2.7 FIGYELMEZTETÉS. A készüléket mindig kapcsolja ki, ha őrizetlenül hagyja.

3.2.8 

FIGYELMEZTETÉS. A nagy nyomás részecskék elszabadulását okozhatja. A kezelő a biztonsága érdekében viseljen megfelelő egyéni védőruházatot és -felszerelést (PPE).

3.2.9 FIGYELMEZTETÉS. A berendezésen végzett munkák előtt húzza ki a hálózati dugaszt.

3.2.10 FIGYELMEZTETÉS. A ravasz meghúzása előtt a visszalökődés megakadályozása érdekében TARTSA erősen a szórópisztolyt.

3.2.11 FIGYELMEZTETÉS. KÖVESSE a helyi vízművek rendelkezéseit. A készülék az IEC 60335-2-79 szabvány szerint csak akkor csatlakoztatható az ivóvízhálózatra, ha a hálózati csatlakozótömlő az EN 12729 BA szabványnak megfelelő, vízvezetési visszafolyásgátlóval rendelkezik. A visszafolyásgátló a gyártónál rendelhető.

3.2.12 FIGYELMEZTETÉS. A visszafolyásgátlón átfolyt víz nem ivóvíz.

3.2.13 FIGYELMEZTETÉS. Az elektromos alkatrészek karbantartását és/vagy javítását KIZÁRÓLAG szakképzett személyzet végezheti.



- 3.2.14 FIGYELMEZTETÉS.** A tömlő eltávolítása előtt **NYOMÁSMENTESÍTSE** a készüléket.
- 3.2.15 FIGYELMEZTETÉS.** Minden használat előtt, valamint szabályos időközönként **ELLENŐRIZZE** a csavarok szoros meghúzását, valamint a készüléket törött vagy elhasználódott alkatrészek szempontjából.
- 3.2.16 FIGYELMEZTETÉS.** **KIZÁRÓLAG** olyan tisztítószer használjon, amely nem károsítja a nagynyomású tömlő, illetve a tápkábel köpenyét.
- 3.2.17 FIGYELMEZTETÉS.** **GYŐZŐDJÖN MEG** arról, hogy minden személy és állat legalább 15 m távolságra tartózkodik a működő készüléktől.
- 3.2.18 FIGYELMEZTETÉS.** A készülék a mellékelt vagy a gyártó által javasolt tisztítószerrel való használatra alkalmas. Bármilyen más tisztítószer vagy vegyszer használata hátrányosan befolyásolhatja a készülék biztonságát.
- 3.2.19 FIGYELMEZTETÉS.** Ügyeljen arra, hogy a tisztítószer a bőrre vagy különösen szembe ne kerüljön! Szembe kerülés esetén azonnal öblítse ki bő vízzel és forduljon orvoshoz!
- 3.2.20 FIGYELMEZTETÉS.** A nagynyomású tömlők, a szerelvények és a tömítések a készülék biztonságos üzemének fontos részét képezik. Kizárólag a gyártó által ajánlott tömlőket, szerelvényeket és csatlakozókat használja.
- 3.2.21 FIGYELMEZTETÉS.** A készülék biztonságos üzeme érdekében csak a gyártó eredeti pótalkatrészeit vagy az általa jóváhagyott más pótalkatrészeket használja.
- 3.2.22 FIGYELMEZTETÉS.** A hosszabbító kábelnek, a dugasznak és a konnektornak vízmentesnek kell lennie.
- 3.2.23 FIGYELMEZTETÉS.** A nem megfelelő hosszabbítóvezetékek veszélyesek lehetnek. Ügyeljen arra, hogy a hosszabbítóvezeték kültéri használatra alkalmas legyen, a csatlakozást pedig tartsa szárazon és ne a földön. Használjon kábeldobos hosszabbítót, amely a csatlakozót legalább 60 mm-rel a talajszint felett tartja.
- 3.2.24 FIGYELMEZTETÉS.** A készüléket összeszerelés, tisztítás, beállítás, karbantartás, tárolás és szállítás előtt mindig kapcsolja ki és csatlakoztassa le a táphálózatról.
- 3.2.25 FIGYELMEZTETÉS.** A készülék bekapcsolása előtt csatlakoztassa a csőtisztító készletet a piros jelzésnél.



4 ÁLTALÁNOS INFORMÁCIÓK (1. ÁBRA)/3. OLDAL**4.1 Az útmutató használata**

Jelen útmutató a készülék fontos tartozéka és a későbbi hivatkozás érdekében őrizze meg. A készülék telepítése / használata előtt gondosan olvassa el az útmutatót. A készülék eladása esetén adja át a készülék mellett ezt az útmutatót is az új tulajdonosnak.

4.2 Szállítás

A készülék szállítása részben összeszerelve, kartondobozban történik. A csomagolás tartalmát az 1. ábra mutatja be.

4.2.1 A készülékhez mellékelte dokumentáció

- A1** Kezelési és karbantartási útmutató
- A2** Biztonsági utasítások
- A3** Megfelelőségi nyilatkozat
- A4** Jótállási szabályok

4.3 Csomagolóanyagok ártalmatlanítása

Bár a csomagolóanyagok nem környezetszennyezők, újrahasznosításokról vagy ártalmatlanításukról a felhasználás helyén érvényes jogszabályok betartásával kell gondoskodni.

5 MŰSZAKI INFORMÁCIÓK (1. ÁBRA)/3. OLDAL**5.1 Javasolt felhasználás**

A készülék járművek, gépek, csónakok, építmények stb. tisztítására, nehezen eltávolítható szennyeződések tiszta vízzel, illetve biológiaiul lebontható tisztítószerrel történő lemosására alkalmas.

Járműmotorok csak a keletkező szennyyvíz érvényes előírásoknak megfelelő elvezetése esetén tisztíthatók a készülékkel.

- Bemenő víz hőmérséklete: **lásd a készüléken található adat-táblát.**

- Bemenő víz nyomása: **min. 0,1 MPa – max. 1 MPa.**

- Környezeti hőmérséklet használat közben: **0 °C fölött.**

A készülék megfelel az IEC 60335-1 és az IEC 60335-2-79 szabványok előírásainak.

5.2 Kezelő

Az 1. ábrán szemléltetett jelzés a készülék javasolt kezelőjét határozza meg (ipari vagy háztartási).

5.3 Főbb részegységek

- B2** Lándzsa
- B3** Szórópisztoly biztonsági kapcsolóval
- B4** Tápkábel csatlakozódugással (ilyen tartozékkal rendelkező típusok esetén)
- B5** Nagynyomású tömlő
- B6** Tisztítószertartály (ilyen tartozékkal rendelkező típusok esetén)
- B7** Olajsapkka (ilyen tartozékkal rendelkező típusok esetén)
- E** Fúvóka
- F** Tisztítószer-adagoló (ilyen tartozékkal rendelkező típusok esetén)
- G** Nyomásszabályozó (ilyen tartozékkal rendelkező típusok esetén)
- H** Kapcsológomb
- L** Vízszűrő

5.3.1 Tartozékok (ha a csomagolás ezeket tartalmazza – lásd az 1. ábrát)

- | | |
|---------------------------------|--------------------------------|
| C1 Fúvókatisztító eszköz | C10 Csavarok |
| C2 Forgófúvóka-készlet | C11 Tartók |
| C3 Fogantyú | C12 Kar |
| C4 Kéfe | C13 Tisztítószerszéklet |
| C5 Tömlőorsó | C14 Kerekek |
| C6 Vízszívó készlet | C15 Kenőzsír tubus |
| C7 Csőtisztító készlet | C16 Nyomásmérő |
| C8 Nagyfejtű kefékészlet | C17 Adapter |
| C9 Adapter | |

5.4 Biztonsági eszközök

- Kapcsológomb (H)

A kapcsológomb megakadályozza a készülék véletlen használatát.



Figyelem – veszély!

Ne nyúljon a biztonsági szelephez és ne módosítsa

annak beállításait.

- Biztonsági szelep és/vagy nyomáshatároló szelep.

A biztonsági szelep egyúttal nyomáshatároló szelepként is működik. A billentyű elengedésekor a szelep kinyit, és a víz visszajut a szivattyú bemeneti nyílásához, vagy a földre folyik.

- Termosztátszelep (D1, ha van ilyen)

Ha a vízhőmérséklet meghaladja a gyártó által beállított értéket, a termosztátszelep kiengedi a forró vizet és a megfelelő hőmérséklet helyreállításáig ugyanilyen mennyiségű hideg vizet sziv be.

- Biztonsági kapocs (D): megakadályozza a véletlen vízfecskendezést.

- Túlterhelés-védelem: túlterhelés esetén leállítja a készüléket.

6 ÜZEMBE HELYEZÉS (2. ÁBRA)/4. OLDAL**6.1 Összeszerelés**

Figyelem – veszély!

Üzembe helyezési vagy szerelési műveletek megkezdése előtt csatlakoztassa le a készüléket a táphálózatról.

Az összeszerelés folyamata a **2. ábrán** látható.

6.2 A nyomáscsökkentő szelepek felszerelése (ilyen tartozékkal rendelkező típusok esetén)

Az olajszivárgások megelőzése érdekében a készülék olajbeszívói a szállítás idejére piros sapkákkal vannak ellátva; ezeket ki kell cserélni a mellékelt nyomáscsökkentő szelepekre.

6.3 A forgófúvóka felszerelése

(ilyen tartozékkal rendelkező típusok esetén).

A forgófúvóka-készlet nagyobb mosóerőt biztosít.

A forgófúvóka használata az állítható fúvókához képest 25%-os víznyomáscsökkenést eredményezhet. Ugyanakkor a forgófúvóka-készlet a vízsgár forgása következtében nagyobb mosóerőt biztosít.

6.4 Elektromos csatlakozás

Figyelem – veszély!

Ellenőrizze, hogy a hálózati feszültség (V) és frekvencia (Hz) megegyezik-e a készülék adattábláján szereplő adatokkal (2. ábra).

6.4.1 Hosszabbítóvezetékek használata

Csak IPX5 védettségű kábelt és csatlakozódugaszt használjon.

A hosszabbítóvezeték keresztmetszete legyen arányos a hosszával – minél hosszabb a kábel, annál nagyobb keresztmetszet szükséges. Lásd az 1. ábrát.

6.5 Csatlakozás a vízvezetékhez

Figyelem – veszély!

A készüléket csak tiszta vagy szűrt vízzel üzemeltesse. Az átfolyási sebesség legyen azonos a vízvezeték csapjánál és a szivattyú bemeneti nyílásánál.

A készüléket helyezze a lehető legközelebb a vízvezetékhez.

6.5.1 Csatlakozási pontok

- Víz kiömlőnyílása (KIMENET)
- Víz bemeneti nyílása szűrővel (BEMENET)

6.5.2 Csatlakozás a vízhálózathoz

A készülék csak akkor csatlakoztatható az ivóvízhálózatra, ha a hálózati csatlakozótömlő az mindenkori érvényes rendelkezéseknek megfelelő, vízelvezetési visszafolyásgátlóval rendelkezik. A tömlőnek legalább 13 mm-es átmérővel kell rendelkeznie, megerősített kivételnek kell lennie, és nem lehet hosszabb 25 m-nél.

6.5.3 Vízszívás nyitott tartályból

1) Csavarozza a szűrővel ellátott bemeneti tömlőt a BEMENETHEZ, majd helyezze a tartály aljára.

2) Légtelenítse a készüléket:

a) Csavarja le a lándzsát.

b) Indítsa be a készüléket és nyissa meg a pisztolyt addig, amíg még buborékok vannak a kifolyó vízben.

3) Kapcsolja ki a készüléket, majd csavarja vissza a lándzsát.

Megjegyzés: a készülék legfeljebb 0,5 m-es magasságból

képes szívni. A szívócsövet használat előtt fel kell tölteni.

7 BEÁLLÍTÁSOK (3. ÁBRA)/5. OLDAL

- 7.1 A porlasztófúvóka beállítása** (ilyen funkcióval rendelkező típusok esetén)
A vízfolyás mértékét a fúvóka (E) szabályozza.
- 7.2 A tisztítószertartály beállítása**
A tisztítószert megfelelő nyomással történő adagolásához állítsa a fúvókát (E) (ha fel van szerelve)  helyzetbe, vagy szerelje fel a tisztítószertartályt (C13) (ha rendelkezésére áll) a jelzett módon. A tisztítószert mennyiségét a szabályozóval (F) lehet beállítani.
- 7.3 A munkanyomás beállítása** (ilyen funkcióval rendelkező típusok esetén)
A munkanyomás a szabályozóval (G) állítható be. A nyomást nyomásmérő jelzi ki (ha fel van szerelve).

8 HASZNÁLATI ÚTMUTATÓ (4. ÁBRA)/5. OLDAL

- 8.1 Kezelőszervek**
- Kapcsológomb (H)
A kapcsológomb (BE/I) állásba kapcsolásával:
a) elindul a motor (TSS egység nélküli készülékek esetén);
b) a motor üzemi állapotba kerül (TSS egységgel ellátott készülékek esetén).
Ha a kapcsológombon van jelzőlámpa, annak világítania kell. A kapcsológomb (KI/O) állásba kapcsolásával a készülék leáll.
Ha a kapcsológombon van jelzőlámpa, annak ki kell aludnia
- Vízugár-szabályozó kar (I).



Figyelem – veszély!

A készüléket működés közben a 4. ábrán látható módon szilárd, stabil felületre kell helyezni.

- 8.2 Indítás** (lásd a 4. ábrát)
- 1) Nyissa ki teljesen a vízcsapot.
 - 2) Kapcsolja ki a biztonsági kapcsolót (D).
 - 3) Nyomja meg a szórópisztoly billentyűjét néhány másodpercre, majd indítsa be a készüléket a kapcsológombbal (BE/I).



Figyelem – veszély!

A készülék indítása előtt ellenőrizze a megfelelő vízbeszívást; a víz nélküli használat a készüléket tönkretesz. Használat közben ne takarja le a készülék szellőzőnyílásait. TSS készülékek – Automatikus átfolyásvédelemmel rendelkező készülékek esetén:

- a szórópisztoly billentyűjének **elengedésekor** a dinamikus nyomásváltozás automatikusan kikapcsolja a motort;
- a szórópisztoly billentyűjének **meghúzásakor** a nyomásesés automatikusan beindítja a motort, így a nyomás igen kis késleltetéssel helyreáll;
- a TSS megfelelő működéséhez a billentyű **elengedését és megnyomását legalább 4-5 másodpercenként** el kell végezni.

A készülék károsodásának elkerülése érdekében kerülje a víz nélküli használatot és ellenőrizze a megfelelő vízellátást. TSS nélküli készülékek esetén a vízhőmérséklet növekedéséből eredő készülékkárosodás elkerülése érdekében, bekapcsolt készülék esetén 5 percnél hosszabb időre ne állítsa le a vízugarat.

- 8.3 Leállítás**
- 1) Állítsa a kapcsológombot a (KI/O) állásba.
 - 2) Nyomásmentesítse a tömlőket a szórópisztoly billentyűjének megnyomásával.
 - 3) Működtesse a biztonsági kapcsolót (D).
- 8.4 Újraindítás**
- 1) Kapcsolja ki a biztonsági kapcsolót (D).
 - 2) Légelentse a tömlőket a szórópisztoly billentyűjének megnyomásával.
 - 3) Állítsa a kapcsológombot a (BE/I) állásba.

- 8.5 Tárolás**

- 1) Zárja el a vízcsapot.
- 2) Nyomásmentesítse a szórópisztolyt úgy, hogy az összes víz kifolyjon a készülékből.
- 3) Kapcsolja ki a készüléket (KI/O).
- 4) Húzza ki a csatlakozódugaszt az aljzatból.
- 5) A munka végétével eresse le és mossa ki a tisztítószertartályt. A tartály tisztításához tisztítószert helyett használjon tiszta vizet.
- 6) Működtesse be a szórópisztoly biztonsági kapcsolóját (D).

- 8.6 A tisztítószertartály használata és újratöltése**
A tisztítószertartály tisztítását a tartozékok használatával, valamint a 7.3. pontban leírt eljárások alkalmazásával kell végezni.

A berendezéshez eredetileg mellékeltnél hosszabb nagynyomású tömlő vagy tömlőhosszabbító használata lelassíthatja vagy teljesen leállíthatja a beadagolt tisztítószert felszívását.
A tartályt (B6) biológiailag nagyon könnyen lebomló mosószerrel töltsse fel.

- 8.7 Ajánlott tisztítási eljárás**

Oldja fel a szennyeződést a még száraz felületre felvitt, tisztítószerral kevert vízzel.

Függőleges felületek esetén alulról felfelé haladjon. Hagyja hatni a tisztítószert 1-2 percig anélkül, hogy hagyja a felületet teljesen megszáradni. Alulról felfelé haladva tartsa a nagynyomású vízugarat legalább 30 cm-es távolságban. Az öblítéshez használt vizet ne hagyja a tisztítatlan felületre folyni.

Bizonyos esetekben a szennyeződés csak kefével távolítható el. Felületkárosító hatásai miatt a nagynyomású vízugar nem mindig a legeredményesebb tisztítási módszer. Érzékeny és festett részek, valamint nyomás alatt lévő részek (gumiabroncsok, töltőszalagok stb.) esetén ne használja az állítható fúvóka legkisebb átmérőjű beállítását és a forgófúvókát.

A tisztítás hatékonysága egyaránt függ a felhasznált víz nyomásától és mennyiségétől.

9 KARBANTARTÁS (5. ÁBRA)/6. OLDAL

A jelen fejezetben nem szereplő karbantartási műveletek elvégzését bízva márkakereskedésekre és márkaszervizekre.



Figyelem – veszély!

Bármely munka elvégzését megelőzően mindig húzza ki a készülék hálózati dugaszát az aljzatból.

- 9.1 A fúvóka tisztítása**
- 1) Szerelje le a lándzsát a fúvókáról.
 - 2) Távolítson el minden szennyeződést a fúvóka nyílásából az eszköz segítségével (C1).
- 9.2 A szűrő tisztítása**
Minden használat előtt ellenőrizze a bemenő víz (L) és a tisztítószertartály szűrőjét (ha fel van szerelve). Szükség esetén tisztítsa meg azokat az útmutatónak megfelelően.
- 9.3 A motor eltömődésének megszüntetése** (ilyen funkcióval rendelkező típusok esetén)
Hosszabb időre leállított készülékeken a vízkölerakódás megakadályozhatja a motor újbóli indulását. Az eltömődés megszüntetése érdekében szerszámmal forgassa meg a hajtótengelyt (M).
- 9.4 Az olaj újratöltése** (ilyen funkcióval rendelkező típusok esetén)
Töltsön olajat a bemeneti nyílásba a megfelelő olajsint helyreállításához.
Olajjellemzőkre vonatkozó információkat az „Műszaki adatok” táblázat tartalmaz.
- A készülék minden 500. órányi használat után olajcserére szorul.
- 9.5 Téli tárolás**
Téli tárolás előtt kezelje le a készüléket nem korrozív, nem mérgező fagyásgátló szerrel.
A készüléket tartsa száraz és fagymentes helyen.

10 TÁROLÁS ÉS SZÁLLÍTÁS (5. ÁBRA)/6. OLDAL

A tartozékok tárolását az 5. ábrának megfelelően végezze. A gép szállítását az 5. ábrának megfelelően végezze.

12 FELÜLETEK SÉRÜLÉSÉNEK ELKERÜLÉSE



FIGYELEM!

- 12.1 Az abroncsok nagynyomású tisztítóberendezéssel történő tisztítása esetén az abroncs megsérülhet, és a művelet egyébként is veszélyes lehet.
- 12.2 Soha ne irányítsa a nagynyomású vízugarat közvetlenül az abroncsra.
- 12.3 A kerekek és az abroncsok körül végzett tisztításkor állítsa a tisztítóberendezést a legalacsonyabb nyomásra.
- 12.4 A „Turbólandzsza” lehetőség a jármű egyik részének a tisztításához sem használható.
- 12.5 További információk a kézikönyv „8.7. Ajánlott tisztítási eljárás” című fejezetében található.



EK-megfelelőségi nyilatkozat

Az Annovi Reverberi S.p.A. kijelenti, hogy a következő De Walt készülék(ek):

Készülék megnevezése	Nagynyomású tisztítóberendezés			
Típuszám	DXPW 004 E	DXPW 005 E	DXPW 006 E	DXPW 007 E
Névleges teljesítmény	3 kW	5 kW	5 kW	7,4 kW

megfelel(nek) a következő európai irányelveknek:

2006/42/EK, 2014/35/EU, 2011/65/EU, 2012/19/EU, 2014/30/EU és 2000/14/EK

és gyártásuk a következő szabványoknak és szabványdokumentumoknak megfelelően történt:

EN 60335-1; EN 60335-2-79; EN 55014-1; EN 55014-2; EN 61000-3-2; EN 61000-3-3; EN 61000-3-11; EN 60704-1; EN 62233; EN IEC 63000

A műszaki dokumentáció kiadásáért felelős személy neve és címe: Stefano Reverberi / AR Ügyvezető igazgató

41122 Modena (Olaszország), Via ML King, 3

A 2000/14/EK irányelv szerinti megfelelőségi vizsgálat elvégzése az V. melléklet előírásai szerint történt.

Típuszám	DXPW 004 E	DXPW 005 E	DXPW 006 E	DXPW 007 E
Mért hangteljesítményszint:	93,5 dB (A)	93,9 dB (A)	93,9 dB (A)	94,4 dB (A)
Garantált hangteljesítményszint:	96 dB (A)	96 dB (A)	96 dB (A)	97 dB (A)

Kelt: 2022. 03. 04.

MODENA (I)

Stefano Reverberi

Ügyvezető igazgató

Jótállás

A jótállás a termékértékesítési ország jogszabályi előírásainak megfelelően érvényes (amennyiben a gyártó másként nem rendelkezik).

A jótállás a jótállási időszakban fellelő anyag- és konstrukciós hibákra, valamint a megfelelőséget érintő meghibásodásokra vonatkozik. Ezen az időszakon belül a gyártó vállalja, hogy kicseréli a meghibásodott alkatrészeket, illetve nem túlzott elhasználódás esetén megjavítja vagy kicseréli a terméket.

A jótállás nem vonatkozik az alkatrészek (szelepek, dugattyúk, a víz- és olajrendszer tömitései, rugók, O-gyűrűk) és a tartozékok (tömlők, szórópisztolyok, kefék, kerekek stb.) normális mértékű kopására.

A jótállás nem vonatkozik a következő okokból történt meghibásodásokra:

- nem megfelelő, illetve helytelen használat, hanyagság,
- bérbeadás vagy ipari felhasználás, ha a termék háztartási célra lett eladva,
- a használati utasításban foglalt karbantartási utasítások be nem tartása,
- nem meghatalmazott személyzet vagy szerviz által végzett javítás
- nem eredeti alkatrészek vagy tartozékok használata
- szállítás, szennyeződés, idegen tárgyak vagy baleset által okozott sérülések,
- helytelen tárolásból vagy raktározásból adódó problémák.

A jótállás érvényesítéséhez be kell mutatnia a vásárlást igazoló bizonylatot.

További segítség érdekében, 285. oldal.

Műszaki adatok

Műszaki adatok	Egység	DXPW 004 E	DXPW 005 E	DXPW 006 E	DXPW 007 E
Átfolyási sebesség	l/perc	10	13,5	15	14
Maximális átfolyási sebesség	l/perc	-	-	-	-
Nyomás	MPa	12	18	15	21
Maximális nyomás	MPa	15	20	17	23
Teljesítmény	kW	3	5	5	7,4
Maximális bemeneti hőmérséklet	°C	60	60	60	60
Maximális bemeneti nyomás	MPa	1	1	1	1
Szórópisztoly ellenereje maximális nyomáson	N	24,30	40,10	40,70	44,90
Szivattyúolaj típusa	kg	-	-	-	-
Védelmi osztály	-	II/⊕	II/⊕	II/⊕	II/⊕
Motorszigetelés	Osztály	F	F	F	F
Motorvédelem	-	IPX5	IPX5	IPX5	IPX5
Tápfeszültség	V/Hz	230/50 1~	400/50 3~	400/50 3~	400/50 3~
Legnagyobb megengedett hálózati impedancia	Ω	-	-	-	-
Hangnyomásszint L_{pA} (EN 60704-1) (K = 2,5 dB (A))	dB (A)	82,1	82,5	82,5	83
Hangteljesítményszint L_{wA} (EN 60704-1) (K = 2,5 dB (A))	dB (A)	96	96	96	97
Készülékrezgés (K = 1 m/s ²):	m/s ²	<2,5	<2,5	<2,5	<2,5
Tömeg	kg	38	40	40	64

A műszaki változtatások jogát fenntartjuk!

1 SAUGOS INSTRUKCIJOS

1.1 Įrenginys, kurį įsigijote, yra technologiškai pažangus produktas, sukurtas vieno iš pirmaujančių Europos aukšto slėgio plautuvų gamintojų. Norėdami išgauti geriausias galimas įrenginio charakteristikas, atidžiai perskaitykite šią brošiūrą, ir kiekvieną kartą jį naudodami vadovaukitės instrukcijomis. Prijungdami įrenginį, jį naudodami ir atlikdami jo techninę priežiūrą, imkitės visų galimų atsargumo priemonių, kad užtikrintumėte savo ir kitų šalia esančių asmenų saugumą. Atidžiai perskaitykite saugumo reglamentus ir visada jais vadovaukitės. Jei to nepadarysite, gali kilti pavojus sveikatai ir saugumui arba galite sukelti žalos, kurios ištaisymas bus brangus.

2 SAUGOS ŽENKLAI

2.1 Vadovaukitės instrukcijomis, pateikiamomis saugos ženkluose ir simboliuose, esančiuose ant įrenginio ir šiame vadove.

Ant įrenginio ir vadove pateikiami tik tie simboliai, kurie svarbūs jūsų įsigytam modeliui. Patikrinkite, ar simboliai ir ženklai, pritvirtinti prie įrenginio, visada yra jiems skirtose vietose ir yra įskaitomi. Jei taip nėra, ant jų originalios vietos uždėkite naujus atitinkamus simbolius ar ženklus.

 Įspėjimas – Perspėjimas – Pavojus

 Prieš pradėdami naudoti įrenginį, atidžiai perskaitykite instrukcijas.

 Simbolis „E2“ (jei toks yra vadove) žymi, kad įrenginys yra skirtas profesionaliam naudojimui, t. y. jį gali naudoti patirties turintys žmonės, susipažinę su susijusiais techniniais, reguliavimo ir teisiniais veiksniais, bei galintys atlikti veiksmus, susijusius su įrenginio naudojimu ir technine priežiūra. Šis įrenginys nėra skirtas naudoti vaikams, asmenims su sutrikusiais fiziniais, jutimo arba psichiniais gebėjimais, arba asmenims, neturintiems reikiamos patirties ir žinių.

 Judančios dalys. Nelieskite.

0 Išjungimo padėtis

I Įjungimo padėtis



Garantuotas garso galios lygis



 Draudimo ženklas, informuojantis naudotojus, kad vietos teisės aktai gali drausti prijungti produktą prie geriamojo vandens tiekimo sistemos.

 Pavojaus ženklas, įspėjantis naudotojus, kad negalima nukreipti vandens srovės į žmones, gyvūnus, elektros įrangą arba patį produktą.

 Šio produkto izoliacija priskiriama I klasei. Tai reiškia, kad jis yra įrengtas su apsauginiu žemimo laidininku (tik jei simbolis yra ant įrenginio).

 Produktas atitinka susijusias Europos direktyvas.

 Simbolis „E1“ žymi, kad įrenginio **negalima šalinti** kaip buitinių atliekų. Jis gali būti perduotas platintojui įsigyjant naują įrenginį. Įrenginio elektrinės ir elektroninės detalės negali būti pakartotinai panaudojamos netinkamais tikslais, nes jose yra medžiagų, keliančių pavojų sveikatai.

 Užsidėti ausines.

 Užsidėti apsauginę kaukę.

 Naudoti kvėpavimo takų apsaugą.

 Mūvėti apsaugines pirštines.

 Avėti apsauginę avalynę.

 Dėvėti apsauginius drabužius



3 SAUGOS TAISYKLĖS / LIKUTINĖ RIZIKA**3.1 NEREKOMENDUOJAMI SU SAUGUMU SUSIJĘ VEIKSMAI**

- 3.1.1 ĮSPĖJIMAS. NELEISKITE vaikams naudoti įrenginio. Prižiūrėkite, kad jie nežaistų su juo.
- 3.1.2 ĮSPĖJIMAS. Aukšto slėgio purkštuvai gali būti pavojingi, jei bus naudojami netinkamai.
- 3.1.3 ĮSPĖJIMAS. NENAUDOKITE įrenginio su degiais arba toksiškais skysčiais ar produktais, kurie nesuderinami su tinkamu įrenginio veikimu. Draudžiama naudoti įrenginį galimai degioje arba sprogioje aplinkoje.
- 3.1.4 ĮSPĖJIMAS. SPROGIMO PAVOJUS. NENAUDOKITE įrenginio degiems skysčiams purkšti.
- 3.1.5 ĮSPĖJIMAS. NENUKREIPKITE vandens srovės į žmones arba gyvūnus.
- 3.1.6 ĮSPĖJIMAS. NENUKREIPKITE vandens srovės į patį agregatą, elektrines dalis ar kitą elektrinę įrangą.
- 3.1.7 ĮSPĖJIMAS. NENAUDOKITE įrenginio, jei jo veikimo diapazone yra žmonių, išskyrus atvejus, kai jie dėvi apsauginius drabužius.
- 3.1.8 ĮSPĖJIMAS. NENUKREIPKITE purkštuvo į save arba kitus, kad nuplautumėte drabužius ar avalynę.
- 3.1.9 ĮSPĖJIMAS. NENAUDOKITE įrenginio lauke, jei lyja.
- 3.1.10 ĮSPĖJIMAS. NELEISKITE vaikams, nekompetentingiems asmenims arba asmenims, kurie neperskaitė ir nesuprato instrukcijų, naudoti įrenginio.
- 3.1.11 ĮSPĖJIMAS. NELIESKITE kištuko ir (arba) lizdo šlapiomis rankomis.
- 3.1.12 ĮSPĖJIMAS. NENAUDOKITE įrenginio, jei pažeistas elektros laidas. Siekiant išvengti pavojaus saugumui, jei elektros laidas pažeistas, jį gali pakeisti gamintojas, jo įgaliotas techninės priežiūros centras arba atitinkamai kvalifikuoti asmenys.
- 3.1.13 ĮSPĖJIMAS. NENAUDOKITE įrenginio, jei pažeistas maitinimo laidas arba svarbios dalys, pvz., saugumo prietaisai, aukšto slėgio žarnos arba pistoletas.
- 3.1.14 ĮSPĖJIMAS. SAUGOKITE, kad gaidukas neužstrigtų darbinėje padėtyje.
- 3.1.15 ĮSPĖJIMAS. Patikrinkite, ar duomenų plokštelė pritvirtinta prie įrenginio. Jei ne, praneškite apie tai platintojui. Įrenginiai be plokštelių NEGALI būti naudojami, nes jų negalima identifikuoti ir jie yra galimai pavojingi.
- 3.1.16 ĮSPĖJIMAS. NEKEISKITE ir nereguliuokite saugos vožtuvo arba kitų saugos prietaisų nustatymų.
- 3.1.17 ĮSPĖJIMAS. NEKEISKITE originalaus purkštuvo galvutės antgalio skersmens.
- 3.1.18 ĮSPĖJIMAS. NEJUDINKITE įrenginio traukdami jį už ELEKTRINIO LAIDO.
- 3.1.19 ĮSPĖJIMAS. SAUGOKITE, kad transporto priemonės nepervažiuotų per aukšto slėgio žarną.



- 3.1.20 ĮSPĖJIMAS.** NEJUDINKITE įrenginio traukdami jį už aukšto slėgio žarnos.
- 3.1.21 ĮSPĖJIMAS.** Kai aukšto slėgio purkštukas nukreipiamas į padangas, padangų ventilius ar kitus slėginius komponentus, jis gali sukelti pavojų. Nenaudokite sukamojo antgalio rinkinio ir, kai plaunate, visada išlaikykite mažiausiai 30 cm atstumą.
- 3.1.22 ĮSPĖJIMAS.** Draudžiama naudoti neoriginalius priedus arba kitas atsargines dalis, kurios nėra skirtos susijusiam modeliui. Draudžiama atlikti bet kokias įrenginio modifikacijas. Visos modifikacijos panaikins atitikties deklaraciją ir atleis gamintoją nuo bet kokios civilinės ar baudžiamosios atsakomybės.
- 3.2 REKOMENDUOJAMI SU SAUGUMU SUSIJĘ VEIKSMAI**
- 3.2.1 ĮSPĖJIMAS.** Visi elektriniai laidininkai TURI BŪTI APSAUGOTI nuo vandens srovės.
- 3.2.2 ĮSPĖJIMAS.** Elektros tiekimą gali prijungti tik kvalifikuotas elektrikas pagal IEC 60364-1 reikalavimus. Taip pat turi būti įrengtas nuotėkio srovės prietaisas, kuris atjungia elektros tiekimą, jei nuotėkio srovė į žemę viršija 30 mA 30 ms, arba prietaisas, kuris, esant įžeminimo gedimui, nutrauks srovės tekėjimą.
- 3.2.3 ĮSPĖJIMAS. KAI ĮRENGINYS PALEIDŽIAMAS,** gali būti girdimas tinklo triukšmas.
- 3.2.4 ĮSPĖJIMAS.** Naudotojui suteikiama papildoma apsauga (30 mA), jei naudojamas liekamosios srovės pertraukiklis.
- 3.2.5 ĮSPĖJIMAS.** Modelius, kurie tiekiami be kištuko, gali įrengti tik kvalifikuotas personalas.
- 3.2.6 ĮSPĖJIMAS.** Naudokite tik patvirtintus tinkamo laidininko skerspjuvio elektrinius ilgintuvus.
- 3.2.7 ĮSPĖJIMAS.** Visada išjunkite jungiklį, kai paliecate įrenginį be priežiūros.
- 3.2.8**      
ĮSPĖJIMAS. Dėl aukšto slėgio dalys gali atšokti: dėvėkite apsauginius drabužius (AAP) ir įrangą, užtikrinančią naudotojo saugumą.
- 3.2.9 ĮSPĖJIMAS.** Prieš pradėdami darbą su įrenginiu, IŠTRAUKITE kištuką.
- 3.2.10 ĮSPĖJIMAS.** Prieš nuspausdami gaiduką, pistoletą tvirtai PAIMKITE į ranką, kad išvengtumėte atatrankos.
- 3.2.11 ĮSPĖJIMAS.** VADOVAUKITĖS vietos vandens tiekimo institucijų reglamentais. Pagal IEC 60335-2-79, įrenginys gali būti prijungtas prie geriamojo vandens tiekimo, jei tiekimo žarna yra įrengta su apsauginiu atbuliniu vožtuvu su nutekėjimo įrenginiu, atitinkančiu BA tipą pagal EN 12729. Apsauginį atbulinį vožtuvą galima užsisakyti iš gamintojo.
- 3.2.12 ĮSPĖJIMAS.** Vanduo, kuris pratekėjo per apsauginį atbulinį vožtuvą, negali būti geriamas.



- 3.2.13 ĮSPĖJIMAS.** Elektrinių komponentų techninę priežiūrą ir (arba) remontą PRIVALO atlikti kvalifikuotas personalas.
- 3.2.14 ĮSPĖJIMAS.** Prieš atjungdami žarną nuo įrenginio, NULEISKITE likusį slėgį.
- 3.2.15 ĮSPĖJIMAS.** Prieš kiekvieną naudojimą ir reguliariais intervalais PATIKRINKITE, ar varžtai visiškai užveržti ir ar nėra nusidėvėjusių arba sulūžusių dalių.
- 3.2.16 ĮSPĖJIMAS.** NAUDOKITE TIK tokius ploviklius, kurie nesukels aukšto slėgio žarnos / elektros laido dangos medžiagų korozijos.
- 3.2.17 ĮSPĖJIMAS.** ĮSITIKINKITE, kad visi žmonės arba gyvūnai yra mažiausiai 16 jardų (15 m) atstumu.
- 3.2.18 ĮSPĖJIMAS.** Šis įrenginys skirtas naudoti su gamintojo tiekiamu arba rekomenduojamu plovikliu. Kitų ploviklių arba cheminių medžiagų naudojimas gali turėti neigiamos įtakos įrenginio saugumui.
- 3.2.19 ĮSPĖJIMAS.** Saugokite, kad skalbiklio nepatektų ant odos, ir ypač – į akis! Jei ploviklio pateko į akis, plaukite jas dideliu kiekiu vandens ir nedelsdami kreipkitės į gydytoją!
- 3.2.20 ĮSPĖJIMAS.** Aukšto slėgio žarnos, jungiamosios detalės ir jungtys yra svarbios įrenginio saugumui. Naudokite tik gamintojo rekomenduojamas žarnas, jungiamąsias detales ir jungtis.
- 3.2.21 ĮSPĖJIMAS.** Siekdami garantuoti įrenginio saugumą, naudokite tik originalias gamintojo dalis arba kitas dalis, kurios yra jo patvirtintos.
- 3.2.22 SPĖJIMAS.** Jei naudojamas ilginamasis laidas, kištukas ir kištukinis lizdas turi būti sandarios konstrukcijos.
- 3.2.23 ĮSPĖJIMAS.** Netinkami ilgintuvai gali kelti pavojų. Jei naudojamas ilgintuvas, jis turi būti tinkamas naudoti lauke, jungtis turi būti laikoma sausa ir pakelta nuo žemės. Jei naudojama maitinimo laido ritė, labai rekomenduojama, kad lizdas būtų mažiausiai 60 mm virš žemės.
- 3.2.24 ĮSPĖJIMAS.** Prieš surinkdami, valydami, reguliuodami, atlikdami techninę priežiūrą, saugodami ir gabendami įrenginį, išjunkite jį ir atjunkite nuo maitinimo.
- 3.2.25 ĮSPĖJIMAS.** Prieš įjungdami įrenginį, vamzdinio purkštuvo agregatą įkiškite iki raudonos žymos.



4 BENDROJI INFORMACIJA (1 PAV. / 3 PSL.)**4.1 Vadovo naudojimas**

Vadovas yra integrali įrenginio dalis. Jį reiktų išsaugoti, kad būtų galima bet kada dar kartą perskaityti. Prieš pradėdami įrengti / naudoti įrenginį, atidžiai perskaitykite šį vadovą. Jei įrenginys paroduodamas, par-davėjas turi perduoti šį vadovą naujam savininkui kartu su įrenginiu.

4.2 Pristatymas

Įrenginys pristatomas iš dalies surinktas kartotinėje dėžėje. Pristatymo pakuotė pavaizduota 1 pav.

4.2.1 Kartu su įrenginiu pristatomi dokumentai

- A1** Naudojimo ir techninės priežiūros vadovas
- A2** Saugumo instrukcijos
- A3** Atitikties deklaracija
- A4** Garantijos dokumentai

4.3 Pakuotės šalinimas

Medžiagos, iš kurių pagaminta pakuotė, neteršia aplinkos, tačiau vis tiek turi būti perdirbtos ir šalinamos pagal susijusius teisės aktus, galiojančius šalyje, kurioje naudojamas įrenginys.

5 TECHNINĖ INFORMACIJA (1 PAV. / 3 PSL.)**5.1 Paskirtis**

Šis individualiam naudojimui skirtas įrenginys buvo sukurtas plauti transporto priemonės, mašinas, valtis, mūro konstrukcijas ir t. t. Naudodamas švarų vandens ir biologiška skaidžius cheminius ploviklius, jis pašalina sunkiai nuvalomus nešvarumus.

Transporto priemonių varikliai gali būti plaunami, jei nešvarus vanduo gali būti pašalintas pagal galiojančius teisės aktus.

– Įleidžiamo vandens temperatūra: **žr. duomenų plokštelę ant įrenginio.**

– Įleidžiamo vandens slėgis: **mažiausiai – 0,1 MPa, daugiausiai – 1 MPa.**

– Darbinė aplinkos temperatūra: **daugiau nei 0 °C.**

Šis įrenginys atitinka IEC 60335-1 ir EC 60335-2-79 standartus.

5.2 Naudotojas

1 pav. pavaizduotas simbolis nurodo, kas yra numatytasis įrenginio naudotojas (ar įrenginys skirtas profesionaliam, ar neprofesionaliam naudojimui).

5.3 Pagrindiniai komponentai

- B2** Kotas
- B3** Pistoletas su saugikliu
- B4** Elektrinis laidas su kištuku (modeliuose su šia funkcija)
- B5** Aukšto slėgio žarna
- B6** Ploviklio bakas (modeliuose su šia funkcija)
- B7** Alyvos dangtelis (modeliuose su šia funkcija)
- E** Antgalis
- F** Ploviklio kiekio reguliatorius (modeliuose su šia funkcija)
- G** Slėgio reguliatorius (modeliuose su šia funkcija)
- H** Paleidiklis
- L** Vandens filtras

5.3.1 Priedai (jei pristatomi įrenginio pakuotėje, žr. 1 pav.)

- | | |
|---|---------------------------------------|
| C1 Antgalio valymo įrankis | C9 Adapteris |
| C2 Sukamojo antgalio agregatas | C10 Csavarok |
| C3 Rankena | C11 Laikytuvas |
| C4 Šepetys | C12 Svirtis |
| C5 Žamos ritė | C13 Ploviklių rinkinys |
| C6 Vandens įsiurbimo agregatas | C14 Ratukams |
| C7 Vamzdinio purkštuvu agregatas | C15 Tepalo vamzdelio |
| C8 Didelio paviršiaus valymo šepčių rinkinys | C16 Slėgio matuoklio Adapteris |

5.4 Saugos prietaisai

– Paleidiklis (**H**)

Paleidiklis apsaugo nuo netyčinio įrenginio naudojimo.

⚠ Įspėjimas – pavojus!

Nekeiskite ir nereguliuokite apsauginio vožtuvo nustatymo.

– Apsauginis vožtuvas ir (arba) slėgio ribojimo vožtuvas.

Apsauginis vožtuvas taip pat yra ir slėgio ribojimo vožtuvas. Kai

atleidžiamas pistoleto gaidukas, vožtuvas atsidaro ir vanduo pradeda tekėti per siurblio įleidimo sistemą arba išleidžiamas ant žemės.

- Termostato vožtuvas (**D1**, jei yra) Jei vandens temperatūra viršija gamintojo nurodytą temperatūrą, termostato vožtuvas išleidžia karštą vandenį ir įsiurbia tiek šalto vandens, kiek išleido karšto, tol, kol atkuriamą tinkama temperatūra.
- Saugiklis (**D**): apsaugo nuo netyčinio vandens purškimo.
- Perkovos saugiklis: sustabdo įrenginio veikimą esant perkrovai.

6 ĮRENGIMAS (2 PAV. / 4 PSL.)**6.1 Surinkimas****Įspėjimas – pavojus!**

Visi įrengimo ir surinkimo darbai turi būti atliekami, kai įrenginys atjungtas nuo maitinimo.
Surinkimo seka pateikta 2 pav.

6.2 Slėgio nuleidimo dangtelio montavimas (modeliuose su šia funkcija)

Siekiant išvengti alyvos nuotėkio, įrenginys pristatomas su alyvos įsiurbimo įrenginiais, užsandarintais raudonais dangteliais, kurie turi būti pakeisti kartu pristatomiems slėgio nuleidimo dangteliais.

6.3 Sukamojo antgalio montavimas

(modeliuose su šia funkcija)

Sukamasis antgalis padeda išgauti didesnę plovimo galią.

Kai naudojamas sukamasis antgalis, palyginti su slėgiu, kurį galima išgauti naudojant reguliuojamąjį antgalį, slėgis gali sumažėti 25 %. Tačiau dėl vandens purkštuvu sukimosi sukamasis antgalis išgauna didesnę plovimo galią.

6.4 Elektros prijungimas**Įspėjimas – pavojus!**

Patikrinkite, ar elektros tinklo įtampa ir dažnis (V ir Hz) atitinka įtampą ir dažnį, nurodytą duomenų plokštelėje (2 pav.).

6.4.1 Ilgintuvų naudojimas

Naudokite laidus ir kištukus, atitinkančius IPX5 apsaugos lygį.

Nauduodami skerspjuvius turėtų būti proporcingas jo ilgiui: kuo ilgesnis laidas, tuo didesnis turėtų būti skerspjuvis. Žr. 1 lentelę.

6.5 Vandens tiekimo prijungimas**Įspėjimas – pavojus!**

Įrenginį turėtų būti tiekiamas tik švarus arba filtruotas vanduo. Vandens įleidimo čiaupo srautas turėtų būti lygus siurblio srautui.

Įrenginį pastatykite kiek įmanoma arčiau vandens tiekimo sistemos.

6.5.1 Prijungimo taškai

- Vandens išleidimas (OUTLET)
- Vandens įleidimas naudojant filtrą (INLET)

6.5.2 Prijungimas prie vandens tiekimo sistemos

Įrenginys gali būti prijungtas prie geriamojo vandens tiekimo sistemos tik tuo atveju, jei tiekimo žarna yra įrengta su apsauginiu atbulinio vožtuvu, kaip numatyta galiojančiuose teisės aktuose. Įsitinkinkite, kad žarna yra mažiausiai 13 mm skersmens, sustiprinta ir ne ilgesnė nei 25 m.

6.5.3 Vandens siurbimas iš atvirų talpų

- 1) Prisukite įleidimo žarną ir filtrą prie vandens įleidimo angos, kitą jos galą įmerkite į talpos dugną.
- 2) Iš įrenginio pašalinkite orą:
 - a) išsukite kotą;
 - b) paleiskite įrenginį ir laikykite pistoletą atidarytą tol, kol ištekancio vandens sraute nebebus matyti oro burbuliukų.
 - 3) Išjunkite įrenginį ir įsukite atgal kotą.

Pastaba. Maksimalus įsiurbimo aukštis yra 0,5 m. Prieš naudojant įrenginį, įsiurbimo žarna turėtų būti pripildyta.

7 REGULIAVIMAS (3 PAV. / 5 PSL.)

- 7.1 Purškimo antgalio reguliavimas** (modeliuose su šia funkcija) Reguliuojant antgalį, valdomas vandens srautas (E).
- 7.2 Ploviklio reguliavimas**
Kad ploviklis būtų reikiamo slėgio, antgalį (E) (jei yra) nustatykite ties  arba, kaip pavaizduota, uždekite ploviklio agregatą (C13) (jei galima).
Naudojamo ploviklio kiekis reguliuojamas naudojant reguliatorių (F).
- 7.3 Darbinio slėgio reguliavimas** (modeliuose su šia funkcija) Reguliatorius (G) naudojamas darbiniam slėgiui reguliuoti. Slėgis pavaizduotas ant slėgio matuoklio (jei yra).

8 INFORMACIJA APIE ĮRENGINIO NAUDOJIMĄ (4 PAV. / 5 PSL.)

- 8.1 Valdikliai**
– Paleidiklis (H).
Nustatykite paleidiklio jungiklį ties padėtimi ON/I, kad:
a) paleistumėte motorą (modeliuose be TSS prietaiso);
b) paruošumėte paleisti motorą (modeliuose su TSS prietaisu).
Jei paleidiklis turi pagalbinę lempuotę, ji turėtų išsijungti.
Noredami sustabdyti įrenginį, paleidiklio jungiklį nustatykite ties padėtimi OFF/O.
Jei paleidiklis turi pagalbinę lempuotę, ji turėtų išsijungti.
– Vandens purkštuvu valdiklio svirtis (I).



Įspėjimas – pavojus!

Kol prietaisas veikia, jis turėtų būti padėtas ant tvirtu ir stabiliaus paviršiaus ir taip, kaip pavaizduota 4 pav.

- 8.2 Paleidimas** (žr. 4 pav.)
1) Visiškai atsukite vandens tiekimo čiaupą.
2) Atlaisvinkite saugiklį (D).
3) Kelioms sekundėms nuspauskite pistoletu gaiduką ir, naudodami paleidiklį, paleiskite įrenginį (ON/I).



Įspėjimas – pavojus!

Prieš paleisdami įrenginį, patikrinkite, ar jis tinkamai gauna vandenį. Jei įrenginį naudojate be vandens, galite jį pažeisti. Kol prietaisas veikia, neuždenkite vėdinimo grotelių. TSS modeliai – TSS modeliuose su automatine srauto išjungimo sistema:

- kai pistoleto gaidukas **atleidžiamas**, dinaminis slėgis automatiškai išjungia motorą;
- kai pistoleto gaidukas **nuspaudžiamas**, automatinis slėgio kritimas paleidžia motorą, o slėgis po nelgo uždelsimo atkuriamas;
- jei TSS veikia tinkamai, visi pistoleto gaiduko **atleidimo** ir **nuspaudimo** veiksmai turi būti atliekami **rečiausiai** kas 4–5 sekundes.

Kad būtų išvengta žalos įrenginiui, jis negali veikti be vandens; visada patikrinkite, ar vanduo tiekiamas tinkamai. Jei naudojami modeliai be TSS, kad būtų išvengta žalos įrenginiui, atsiradusios dėl vandens temperatūros padidėjimo, daugiau kaip 5 minutes neišjunkite vandens purkštuvą, kol įrenginys veikia.

- 8.3 Sustabdymas**
1) Paleidiklį nustatykite ties padėtimi OFF/O.
2) Nuspauskite pistoletu gaiduką ir išleiskite vamzdelių viduje likusį slėgį.
3) Nustatykite saugiklį (D).
- 8.4 Pakartotinis paleidimas**
1) Atleiskite saugiklį (D).
2) Nuspauskite pistoletu gaiduką ir išleiskite vamzdeliuose likusį orą.
3) Nustatykite paleidiklį ties padėtimi ON/I.
- 8.5 Saugojimas**
1) Išjunkite vandens tiekimo čiaupą.
2) Išleiskite visą likusį slėgį iš pistoleto tol, kol iš įrenginio bus pašalintas visas vanduo.
3) Išjunkite įrenginį (OFF/O).
4) Ištraukite kištuką iš lizdo.
5) Kiekvieną kartą baigdami darbą, ištuštinkite ir išplaukite ploviklio baką. Plaudami baką, vietoje ploviklio naudokite švarų vandenį.
6) Nustatykite pistoletu saugiklį (D).

- 8.6 Ploviklio papildymas ir naudojimas**
Ploviklis turi būti tiekiamas naudojant 7.3 punkte nurodytus priedus ir procedūras.
Jei naudojama aukšto slėgio žarna yra ilgesnė nei žarna, kuri buvo iš pradžių pristatyta su įrenginiu, arba jei naudojamas žarnos ilgin tuvas, tai gali sumažinti ploviklio įsiurbimą arba iš viso jį nutraukti. Baką (B6) pripildykite itin biologiškai skaidaus ploviklio.

- 8.7 Rekomenduojama valymo procedūra**
Ploviklio ir vandens mišinį purškite ant sauso paviršiaus ir taip tirpdykite nešvarumus.
Jei dirbate su vertikaliais paviršiais, darbą pradėkite nuo paviršiaus apačios. Palikite ploviklį 1–2 minutėms, tačiau nelaukite, kol paviršius nudžiūs. Pradėję nuo apačios, naudokite aukšto slėgio purkštuvą mažiausiai 30 cm atstumu. Saugokite, kad skalavimo vanduo nepatektų ant nenuplautų paviršių.
Kartais gali prireikti šveisti šepučiu tam tikras vietas, kad nešvarumai būtų pašalinti.
Aukšto slėgio naudojimas ne visada garantuoja geriausias valymo rezultatus, nes jis gali pažeisti paviršius. Smulkiusias reguliuojamo antgalio purkštuvu nustatymas arba sukamasis antgalis neturėtų būti naudojamas plauti tapiams arba dažytoms dalims arba slėginiams komponentams (pvz., padangoms, pripūtimu vožtuvams ir t. t.).
Valymo efektyvumas vienodai priklauso tiek nuo slėgio, tiek nuo panaudojamo vandens tūrio.

9 TECHNINĖ PRIEŽIŪRA (5 PAV. / 6 PSL.)

Techninės priežiūros veiksmus, kurie neaparti šiame skyriuje, gali atlikti tik įgaliotas pardavimo ir techninės priežiūros centras.



Įspėjimas – pavojus!

Prieš atliekami darbus su įrenginiu, visada ištraukite kištuką iš maitinimo lizdo.

- 9.1 Antgalio valymas**
1) Nuo antgalio atjunkite kotą.
2) Naudodami įrankį (C1), pašalinkite nešvarumus iš antgalio angos.
- 9.2 Filtro valymas**
Kiekvieną kartą prieš naudodami įrenginį, patikrinkite įleidimo filtrą (L) ir ploviklio filtrą (jei yra), ir, jei reikia, išvalykite juos vadovaudamiesi instrukcijomis.
- 9.3 Motoro užsikirtimo šalinimas** (modeliuose su šia funkcija)
Jei įrenginys bus ilgai nenaudojamas, kalkių nuosėdos gali trikdyti motoro darbą. Noredami išvalyti motorą, naudodami įrankį (M), pasukite veleną.
- 9.4 Alyvos papildymas** (modeliuose su šia funkcija)
Siekdami palaikyti tinkamą alyvos lygį, papildykite alyvą per įleidimo įrenginio angą.
Daugiau informacijos apie alyvos charakteristikas žr. lentelėje „Techniniai duomenys“.
Alyvą reikia keisti kas 500 naudojimo valandų.
- 9.5 Saugojimas pasibaigus sezonui**
Prieš saugodami įrenginį žiemai, paleiskite jį su korozijos nesukeliančiu, netoksišku antifrizu.
Įrenginį padėkite sausoje vietoje, apsaugotoje nuo šalnos.

10 SAUGOJIMAS IR GABENIMAS (5 PAV. / 6 PSL.)

Priedus saugokite taip, kaip pavaizduota 5 pav.
Mašiną gabenkite taip, kaip pavaizduota 5 pav.

Problema	Galimos priežastys	Priemonė
Siurblys nepasiekia darbinio slėgio	Nusidėjęs antgalis	Pakeiskite antgalį
	Užsikimšęs vandens filtras	Išvalykite filtrą (L) (5 pav.)
	Nepakankamas vandens tiekimas	Visiškai atsukite vandens čiaupą
	I sistemą įsiurbiamas vanduo	Patikrinkite jungiamųjų žarnos detalių sandarumą
	I siurbį pateko oro	Išjunkite įrenginį ir spauskite bei atlaisvinkite pistoleto gaiduką tol, kol vanduo pradės tekėti pastoviu srautu. Vėl įjunkite įrenginį
	Reguliuojamasis antgalis netinkamoje padėtyje	Nustatykite antgalį (E) ties (+) nustatymu (3 pav.)
Staiga pradėjus naudoti, krinta siurblio slėgis	Įjungtas termostato vožtuvas	Palaukite, kol bus pasiekta tinkama vandens temperatūra
	Vanduo siurbiamas iš atviros talpos, kuri yra aukščiau nei 0,5 m	Sumažinkite įsiurbimo aukštį
	Vanduo siurbiamas iš išorinio bako	Prijunkite įrenginį prie vandens tiekimo tinklo
	Ileidžiamas vanduo per karštas	Sumažinkite temperatūrą
Girdimas motoro garsas, bet jis nepasileidžia	Užsikimšęs antgalis	Išvalykite antgalį (5 pav.)
	Užsikimšęs įleidimo filtras (L)	Išvalykite filtrą (L) (5 pav.)
	Per žema elektros tiekimo įtampa	Patikrinkite, ar tinklo maitinimo tiekimo linijos įtampa yra tokia pati, kokia nurodyta įrenginio duomenų plokštelėje (2 pav.)
	Įtampos kritimas dėl ilgintuvo naudojimo	Patikrinkite ilgintuvo charakteristikas
Motoras nepasileidžia	Įrenginys ilgą laiką nebuvo naudotas	Susisiekite su artimiausiu įgaliotu techninės priežiūros centru
	Problemos su TSS prietaisu	Susisiekite su artimiausiu įgaliotu techninės priežiūros centru
	Nėra maitinimo	Patikrinkite, ar kištukas tvirtai laikosi lizde ir ar tiekiama tinklo įtampa (*)
Vandens nuotėkis	Problemos su TSS prietaisu	Susisiekite su artimiausiu įgaliotu techninės priežiūros centru
	Įrenginys ilgą laiką nebuvo naudotas	Naudodami įrankį (M), pašalinkite motoro trikdžius per įrenginio gale esančią angą (modeliuose su šia funkcija) (5 pav.)
Įrenginys skleidžia triukšmą	Nusidėjęje sandarikliai	Pasirūpinkite, kad sandariklius pakeistų artimiausias įgaliotas techninės priežiūros centras
	Įjungtas ir išleidžiamas apsauginis vožtuvas	Susisiekite su įgaliotu techninės priežiūros centru
Alyvos nuotėkis	Įrenginys skleidžia triukšmą	Sumažinkite temperatūrą (žr. techninius duomenis)
Tik TSS versijoms: įrenginys pasileidžia net atleidus pistoleto gaiduką	Nusidėjęje sandarikliai	Susisiekite su artimiausiu įgaliotu techninės priežiūros centru
Tik TSS versijoms: nuspaudus pistoleto gaiduką, netiekiamas vanduo (kai tiekimo žarna prijungta)	Aukšto slėgio sistema arba siurblio grandinė nėra nepralaidi vandeniui	Susisiekite su artimiausiu įgaliotu techninės priežiūros centru
Neįsiurbiamas ploviklio	Užsikimšęs antgalis	Išvalykite antgalį (5 pav.)
	Reguliuojamajam antgaliumi parinktas aukšto slėgio nustatymas	Nustatykite antgalį (E) ties  nustatymu (3 pav.)
	Ploviklis per tirštas	Praskieskite vandeniu
	Naudojamas aukšto slėgio žarnos ilgintuvas	Sumontuokite originalią žarną
Iš termostato vožtuvo teka vanduo	Nuosėdos arba kliūtys ploviklio grandinėje	Praskalaukite švairiu vandeniu ir pašalinkite kliūtis. Jei problema išlieka, susisiekite su įgaliotu techninės priežiūros centru
	Vandens temperatūra antgalio viduje viršija maksimalią nominaliąją vertę, nurodytą duomenų plokštelėje	Kai įrenginys veikia, nesustabdykite vandens purkštuvu daugiau negu 5 minutės vienu kartu

(*) Jei motoras sustoja ir pakartotinai nepasileidžia veikimo metu, prieš kartodami paleidimo procedūrą palaukite 2–3 minutes (buvo įjungtas perkrovis saugiklis).

Jei problema pasikartoja, susisiekite su artimiausiu įgaliotu techninės priežiūros centru.

MODELIS SERIJOS NUMERIS



12 KAIP IŠVENGTI PAŽEIDŽIAMŲ PAVIRŠIŲ**ĮSPĖJIMAS**

- 12.1 Jei įrenginys naudojamas padangoms plauti, jis gali būti pavojingas ir pažeisti padangų paviršių.
- 12.2 Niekada nenukreipkite aukšto slėgio purkštuvu tiesiai į padangą.
- 12.3 Jei su įrenginiu dirbate netoli ratų ar padangų, visada naudokite žemiausią įrenginio slėgio nustatymą.
- 12.4 Transporto priemonių dalių niekada neplaukite naudodami „Turbo Lence“.
- 12.5 Daugiau informacijos ieškokite skyriuje: „8.7. Rekomenduojama valymo procedūra“.

**EB atitikties deklaracija**

Mes, „Annovi Reverberi S.p.A.“, pareiškiame, kad toliau nurodyta (-os) „De Walt“ mašina (-os):

Mašinos pavadinimas	Aukšto slėgio plautuvai			
Modelio Nr.	DXPW 004 E	DXPW 005 E	DXPW 006 E	DXPW 007 E
Vardinė galia	3 kW	5 kW	5 kW	7,4 kW

atitinka šias Europos direktyvas:

2006/42/EB, 2014/35/ES, 2011/65/ES, 2015/863/ES, 2012/19/ES, 2014/30/ES ir 2000/14/EB,

ir yra pagaminta (-os) pagal šiuos standartus arba standartizuotus dokumentus:

EN 60335-1; EN 60335-2-79; EN 55014-1; EN 55014-2; EN 61000-3-2; EN 61000-3-3; EN 61000-3-11; EN 60704-1; EN 62233; EN IEC 63000.

Asmens, paskirto išduoti techninę bylą, vardas, pavardė ir adresas: Stefano Reverberi / „AR“ generalinis direktorius

Via ML King, 3 – 41122 Modena, Italy (Italija)

Atitikties vertinimo procedūra, numatyta Direktyvoje 2000/14/EB, atlikta pagal V priedą.

Modelio Nr.	DXPW 004 E	DXPW 005 E	DXPW 006 E	DXPW 007 E
Išmatuotas garso galios lygis:	93,5 dB (A)	93,9 dB (A)	93,9 dB (A)	94,4 dB (A)
Garantuotas garso galios lygis:	96 dB (A)	96 dB (A)	96 dB (A)	97 dB (A)

Data: 2022-03-04

MODENA (I)

Stefano Reverberi

Generalinis direktorius

Garantija

Garantijos galiojimo laikas atitinka susijusios šalies, kurioje parduodamas produktas, teisės aktuose nurodytą terminą (išskyrus atvejus, kai gamintojas nurodo kitaip).

Garantija apima medžiagų, gamybos ir atitikties defektus garantijos galiojimo laikotarpiu, per kurį gamintojas pakeis brokuotas dalis ir sutaisys produktą, jei jis nėra per daug nusidėvėjęs, arba pakeis jį.

Garantija netaikoma įprastai nusidėvintiems komponentams (vožtuvui, stūmokliui, vandens tarpikliui, alyvos tarpikliui, spyruoklėms, sandarinimo žiedams ir priedams, pavyzdžiui, žarnai, pistoletui, šepčiams, ratukams ir t. t.).

Garantija neapima defektų, kurie atsirado dėl:

- netinkamo naudojimo, nepriežiūros;
- nuomos profesionaliam naudojimui, jei produktas parduotas buitiniam naudojimui;
- techninės priežiūros nurodymų, pateiktų šiame vadove, nesilaikymo;
- remonto, kurį atliko neįgalios personalas arba centras;
- neoriginalių dalių arba priedų naudojimo;
- žalos, kurią sukėlė gabenimas, nešvarūs arba pašaliniai objektai, nelaimingi atsitikimai;
- saugojimo arba sandėliavimo problemų.

Norėdami gauti garantinę techninę priežiūrą, turite pateikti pirkimo įrodymą.

Jei prireikia pagalbos, Puslapis: 285.

Techniniai duomenys

Techniniai duomenys	Vienetas	DXPW 004 E	DXPW 005 E	DXPW 006 E	DXPW 007 E
Srautas	l/min	10	13,5	15	14
Maksimalus srautas	l/min	-	-	-	-
Slėgis	MPa	12	18	15	21
Maksimalus slėgis	MPa	15	20	17	23
Galia	kW	3	5	5	7,4
Maks. įleidimo temperatūra	°C	60	60	60	60
Maksimalus įleidimo slėgis	MPa	1	1	1	1
Pistoletu stūmos jėga esant maksimaliam slėgiui	N	24,30	40,10	40,70	44,90
Siurblio alyvos tipas	kg	-	-	-	-
Apsaugos klasė	-	II/⊕	II/⊕	II/⊕	II/⊕
Motora izoliacija	Klasė	F	F	F	F
Motora apsauga	-	IPX5	IPX5	IPX5	IPX5
Įtampa	V/Hz	230/50 1~	400/50 3~	400/50 3~	400/50 3~
Maksimali leidžiama elektros sistemos varža	Ω	-	-	-	-
Garso slėgio lygis L_{pa} (EN 60704-1) (K = 2,5 dB(A))	dB (A)	82,1	82,5	82,5	83
Garso galios lygis L_{WA} (EN 60704-1)(K = 2,5 dB(A))	dB (A)	96	96	96	97
Įrenginio vibracija (K = 1 m/s ²):	m/s ²	<2,5	<2,5	<2,5	<2,5
Svoris	kg	38	40	40	64

Gali būti atlikta techninių pakeitimų!

1 DROŠĪBAS INSTRUKCIJAS

1.1 Jūsu iegādātā ierīce ir tehnoloģiski moderns produkts, kuru izstrādājis viens no Eiropas vadošajiem augstspiediena mazgātāju ražotājiem. Lai izmantotu savu ierīci maksimāli efektīvi, uzmanīgi izlasiet šo bukletu un ievērojiet norādījumus katrā lietošanas reizē. Ierīces pievienošanas, lietošanas un apkopšanas laikā veiciet visus iespējamus piesardzības pasākumus, lai sargātu savu un tuvākajā apkārtnē esošo cilvēku drošību. Rūpīgi iepazīstieties ar drošības noteikumiem un vienmēr tos ievērojiet; šo noteikumu neievērošana var izraisīt veselības un drošības risku vai radīt ievērojamus zaudējumus.

2 DROŠĪBAS APZĪMĒJUMI

2.1 Ievērojiet norādījumus, ko sniedz uz ierīces un šajā pamācībā esošie drošības apzīmējumi un simboli.

Uz ierīces un pamācībā ir atrodami tikai tie simboli, kas attiecas uz konkrēto iegādāto modeli. Vienmēr pārbaudiet, vai uz ierīces esošie simboli un apzīmējumi nav nozaudēti un ir salasāmi; pretējā gadījumā uzstādiet paredzētās vietās jaunus.

 Brīdinājums - Uzmanību - Bīstami

 Pirms lietošanas, lūdzu, rūpīgi izlasiet šo pamācību.

 E2 simbols (ja simbols parādās pamācībā) - Norāda, ka ierīce paredzēta profesionālai izmantošanai, t.i., to drīkst lietot pieredzējuši cilvēki, kas pārzina tehniskos, normatīvos un likumdošanas faktorus un ir spējīgi veikt darbības, kas saistītas ar ierīces lietošanu un uzturēšanu. Šī ierīce nav paredzēta tādu bērnu un tādu personu lietojumam, kurām ir mazinātas fiziskās, sensorās vai garīgās spējas vai trūkst pieredzes un zināšanu.

 Kustīgas detaļas. Nepieskarties.

0 Slēdža "izslēgtā" pozīcija

I Slēdža "ieslēgtā" pozīcija

 Garantētais skaņas intensitātes līmenis

 Aizlieguma zīme informē lietotājus, ka vietējie noteikumi var aizliegt pievienot ierīci dzeramā ūdens apgādes sistēmai.





Bīstamības zīme, kas lietotājam atgādina, ka ūdens strūklu nedrīkst vērst pret cilvēkiem, dzīvniekiem, elektroierīcēm vai pašu produktu.



Šis produkts atbilst izolācijas klasei I. Tas nozīmē, ka tas ir aprīkots ar aizsardzības zemējuma vadu (tikai tad, ja simbols parādās uz ierīces).

☞ Produkts atbilst attiecīgajām Eiropas direktīvām.



E1 simbols - Norāda, ka ierīci **nedrīkst izmest** kopā ar sadzīves atkritumiem; to var nodot pārdevējam, iegādājoties jaunu ierīci. Ierīces elektriskās un elektroniskās detaļas nedrīkst izmantot atkārtoti neparedzētā veidā, jo tās satur vielas, kas rada veselības apdraudējumu.



Izmantojiet dzirdes aizsardzības līdzekļus.



Izmantojiet aizsargmasku.



Izmantojiet elpceļu aizsardzības līdzekļus.



Jāvalkā aizsargcimdi.



Jāvalkā aizsargapavi.



Jāvalkā aizsargapģērbs.



3 DROŠĪBAS NOTEIKUMI/ATLIKUŠAIS RISKS**3.1 DROŠĪBAS "AIZLIEGUMI"**

- 3.1.1 BRĪDINĀJUMS. NEĻAUJIET bērniem lietot ierīci; pieskatiet viņus, lai viņi nespēlētos ar ierīci.
- 3.1.2 BRĪDINĀJUMS. Nepareizi lietojot, augstspiediena strūkļa var būt bīstama.
- 3.1.3 BRĪDINĀJUMS. NELIETOJIET ierīci ar uzliesmojošiem vai indīgiem šķidrumiem vai produktiem, kas nav piemēroti tās pielietojumam. Ir aizliegts lietot ierīci potenciāli uzliesmojošā vai sprādzienbīstamā atmosfērā.
- 3.1.4 BRĪDINĀJUMS. SPRĀDZIENA RISKS. NELIETOJIET ierīci uzliesmojošu šķidrumu izsmidzināšanai.
- 3.1.5 BRĪDINĀJUMS. NEVĒRSIET ūdens strūkļu pret cilvēkiem vai dzīvniekiem.
- 3.1.6 BRĪDINĀJUMS. NEVĒRSIET ūdens strūkļu pret pašu ierīci, elektrodetaļām vai citām elektroierīcēm.
- 3.1.7 BRĪDINĀJUMS. NELIETOJIET ierīci, ja tās darbības rādiusā atrodas cilvēki, kas nelieto aizsargapģērbu.
- 3.1.8 BRĪDINĀJUMS. NEVĒRSIET strūkļu pret sevi vai citām personām, lai notīrītu apģērbu vai apavus.
- 3.1.9 BRĪDINĀJUMS. NELIETOJIET ierīci ārpus telpām lietus laikā.
- 3.1.10 BRĪDINĀJUMS. NEĻAUJIET ierīci lietot bērniem, nekompetentām personām un personām, kas nav iepazinušās ar ierīces lietošanas pamācību.
- 3.1.11 BRĪDINĀJUMS. NEPIESKARIETIES kontaktdakšai un/vai kontaktligzdai ar slapjām rokām.
- 3.1.12 BRĪDINĀJUMS. NELIETOJIET ierīci, ja ir bojāts elektrības vads. Ja elektrības vads ir bojāts, lai izvairītos no drošības apdraudējuma, tas jānomaina ražotājam, servisa pārstāvim vai kvalificētam speciālistam.
- 3.1.13 BRĪDINĀJUMS. Nelietojiet ierīci, ja ir bojāts elektrības vads vai svarīgas detaļas, piemēram, drošības ierīces, augstspiediena šļūtene vai pistole.
- 3.1.14 BRĪDINĀJUMS. NEBLOKĒJIET sprūdu darba stāvokli.
- 3.1.15 BRĪDINĀJUMS. Pārbaudiet, vai uz ierīces atrodas datu plāksnīte; pretējā gadījumā ziņojiet par to pārdevējam. Ierīces bez plāksnītēm NEDRĪKST lietot, jo tās ir neidentificējamās un potenciāli bīstamās.
- 3.1.16 BRĪDINĀJUMS. NEIEJAUCIETIES drošības vārsta vai drošības ierīču konstrukcijā un neregulējiet to iestatījumus.
- 3.1.17 BRĪDINĀJUMS. NEMAINIET smidzināšanas sprauslas oriģinālo diametru.



- 3.1.18 BRĪDINĀJUMS.** NEPĀRVIETOJIET ierīci, velkot to aiz ELEKTRĪBAS VADA.
- 3.1.19 BRĪDINĀJUMS.** Neļauj transportlīdzekļiem braukt pāri augstspiediena šļūtenei.
- 3.1.20 BRĪDINĀJUMS.** NEPĀRVIETOJIET ierīci, velkot to aiz augstspiediena šļūtenes.
- 3.1.21 BRĪDINĀJUMS.** Pavēršot pret riepām, riepu ventiļiem vai citiem zem spiediena esošiem komponentiem, augstspiediena strūkļa var būt bīstama. Nelietojiet rotējošās sprauslas komplektu un tīrīšanas laikā vienmēr turiet strūkļu vismaz 30 cm attālumā.
- 3.1.22 BRĪDINĀJUMS.** Neoriģinālo aksesuāru un citu rezerves daļu, kas nav konkrēti paredzētas šim modelim, lietošana ir aizliegta. Ir aizliegta jebkāda ierīces pārveidošana; jebkāda pārveidošana anulē atbilstības deklarāciju un atbrīvo ražotāju no jebkādas civiltiesiskās un kriminālās atbildības.
- 3.2 OBLIGĀTAS DROŠĪBAS PRASĪBAS**
- 3.2.1 BRĪDINĀJUMS.** Visas elektrības vadiem JĀBŪT AIZSARGĀTIEM pret ūdens strūkļu.
- 3.2.2 BRĪDINĀJUMS.** Elektropadeves savienojums jāizveido kvalificētam elektriķim, un šim savienojumam jāatbilst standartam IEC 60364-1. Ir jāuzstāda vai nu paliekošās strāvas ierīce, kas atslēdz barošanu, ja noplūdes strāva uz zemi pārsniedz 30 mA uz 30 ms, vai zemesslēguma pārtraukšanas ierīce.
- 3.2.3 BRĪDINĀJUMS.** Iedarbināšanas laikā ierīce var izraisīt tikla trokšņus.
- 3.2.4 BRĪDINĀJUMS.** Paliekošās strāvas slēdzis (RCB) nodrošinās papildu aizsardzību operatoram (30 mA).
- 3.2.5 BRĪDINĀJUMS.** Modeļus, kas piegādāti bez kontaktligzdas, drīkst uzstādīt tikai kvalificēti darbinieki.
- 3.2.6 BRĪDINĀJUMS.** Lietojiet tikai sertificētus elektrības pagarinātājus ar piemērotu vadu šķēsgriezumu.
- 3.2.7 BRĪDINĀJUMS.** Atstājot ierīci bez uzraudzības, vienmēr izslēdziet slēdzi.
- 3.2.8**  **BRĪDINĀJUMS.** Augsts spiediens var izraisīt detaļu atsitienu: vaikājiet aizsargapgērbus (IAL) un lietojiet iekārtas, kas nepieciešamas, lai nodrošinātu operatora aizsardzību.
- 3.2.9 BRĪDINĀJUMS.** Pirms darba ar ierīci **NOŅEM**IEt aizbāzni.
- 3.2.10 BRĪDINĀJUMS.** Pirms sprūda nospiešanas stingri **SATVER**IEt pistoli, lai slāpētu atsitienu.



- 3.2.11 BRĪDINĀJUMS.** IEVĒROJIET vietējos ūdens apgādes noteikumus. Saskaņā ar IEC 60335-2-79 ierīci var pievienot dzeramā ūdens padevei tikai tad, ja padeves šļūtene ir aprīkota ar drenējamu pretvārstu, kas atbilst EN 12729 BA tipam. Pretvārstu var pasūtīt no ražotāja.
- 3.2.12 BRĪDINĀJUMS.** Ūdens, kas izplūst caur pretvārstiem, ir nedzerams ūdens.
- 3.2.13 BRĪDINĀJUMS.** Elektrisko komponentu apkopi un/vai remontu drīkst veikt tikai kvalificēti darbinieki.
- 3.2.14 BRĪDINĀJUMS.** LIKVIDĒJIET atlikušo spiedienu, pirms atvienojat šļūteni no ierīces.
- 3.2.15 BRĪDINĀJUMS.** Pirms katras lietošanas reizes un regulāri PĀRBAUDIET, vai skrūves ir pilnībā pievilktas un ka detaļas nav bojātas vai nodilušas.
- 3.2.16 BRĪDINĀJUMS.** IZMANTOJIET tikai mazgāšanas līdzekļus, kas nekaitē augstspiediena šļūtenes/elektrības vada pārklājuma materiāliem.
- 3.2.17 BRĪDINĀJUMS.** NODROŠINIET, ka visi cilvēki vai dzīvnieki ir vismaz 15 m attālumā.
- 3.2.18 BRĪDINĀJUMS.** Šī ierīce ir paredzēta lietošanai ar tīrīšanas līdzekli, ko piegādā vai iesaka ražotājs. Citus mazgāšanas līdzekļu vai ķīmisko vielu lietošana var negatīvi ietekmēt ierīces drošību.
- 3.2.19 BRĪDINĀJUMS.** Neļauj mazgāšanas līdzeklim nonākt saskarē ar ādu un it īpaši acīm! Ja tas nokļūst acīs, nekavējoties tās skalojiet ar lielu daudzumu ūdens un meklējiet medicīnisku palīdzību.
- 3.2.20 BRĪDINĀJUMS.** Augstspiediena šļūtenes, piederumi un savienojumi ir ļoti svarīgi, lai garantētu šīs ierīces drošību. Izmantojiet tikai tādas šļūtenes, piederumus un savienojumus, kurus iesaka lietot ražotājs.
- 3.2.21 BRĪDINĀJUMS.** Lai garantētu ierīces drošību, izmantojiet tikai oriģinālās rezerves daļas vai citas daļas, kuru lietošanu ir apstiprinājis ražotājs.
- 3.2.22 BRĪDINĀJUMS.** Ja tiek izmantots pagarinātājs, kontaktdakšai un kontaktligzdai jābūt ūdensnecaurlaidīgā konstrukcijā.
- 3.2.23 BRĪDINĀJUMS.** Neatbilstoši pagarinātāji var būt bīstami. Ja tiek lietots pagarinātājs, tam jābūt paredzētam lietošanai ārpus telpām, un savienojums jāuztur sauss, tas nedrīkst skaties pie zemes. Stingri ieteicams izmantot pagarinātāja spoli, kuras kontaktligzda ir vismaz 60 mm virs zemes.
- 3.2.24 BRĪDINĀJUMS.** Pirms montāžas, tīrīšanas, regulēšanas, apkopes, uzglabāšanas un transportēšanas izslēdziet ierīci un atvienojiet to no strāvas avota.
- 3.2.25 BRĪDINĀJUMS.** Pirms ierīces ieslēgšanas ievietojiet caurules strūklu komplektu līdz sarkanajai atzīmei.



4 VISPĀRĒJA INFORMĀCIJA (1. ATT)/3. LPP.**4.1 Rokasgrāmatas lietošana**

Šī rokasgrāmata ir neatņemama ierīces sastāvdaļa un ir jā saglabā izmantošanai nākotnē. Lūdzu, uzmanīgi to izlasiet pirms ierīces uzstādīšanas/lietošanas. Pārdodot ierīci, rokasgrāmata ir jānodod kopā ar ierīci tās jaunajam īpašniekam.

4.2 Piegāde

Ierīce tiek piegādāta daļēji samontēta kartona kastē. Piegādes komplekts ir attēlots 1. attēlā.

4.2.1 Kopā ar ierīci piegādātie dokumenti

- A1** Lietošanas un apkopes rokasgrāmata
- A2** Drošības instrukcijas
- A3** Atbilstības deklarācija
- A4** Garantijas noteikumi

4.3 Iepakojuma izmešana

Iepakojuma materiāli nav kaitīgi apkārtējai videi, taču tie tik un tā ir jāpārstrādā vai jāizmet, ievērojot attiecīgajā valstī spēkā esošās prasības.

5 TEHNISKĀ INFORMĀCIJA (1. ATT)/3. LPP.**5.1 Paredzētā lietošana**

Šī ierīce ir paredzēta individuālai lietošanai, transportlīdzekļu, iekārtu, laivu, mūrdarbu u.c. tīrīšanai, grūti notīrāmu netīrumu notīrīšanai, izmantojot ūdeni un ķīmiskus tīrīšanas līdzekļus, kas bioloģiski noārdās. Transportlīdzekļu dzinējus var mazgāt tikai tad, ja netīro ūdeni novada saskaņā ar spēkā esošajiem noteikumiem.

- Ieplūdes ūdens temperatūra: **skatīt ierīces datu plāksnīti.**

- Ieplūdes ūdens spiediens: **min. 0,1 MPa - maks. 1 MPa.**

- Darba apkārtējās vides temperatūra: **virs 0°C.**

Šī ierīce atbilst IEC 60335-1 un IEC 60335-2-79 standartiem.

5.2 Operators

1. attēlā redzamais simbols norāda paredzēto ierīces operatoru (profesionāls vai neprofesionāls).

5.3 Galvenās daļas

- B2** Rokturis
- B3** Pistole ar drošības aizslēgu
- B4** Elektrības vads ar kontaktdakšu (modeļiem, kas ar to aprīkoti)
- B5** Augstspiediena šļūtene
- B6** Mazgāšanas līdzekļa tvertne (modeļiem, kas ar to aprīkoti)
- B7** Eļļas vāciņš (modeļiem, kas ar to aprīkoti)
- E** Sprausla
- F** Mazgāšanas līdzekļa regulators (modeļiem, kas ar to aprīkoti)
- G** Spiediena regulators atbilstoši standartiem (modeļiem, kas ar to aprīkoti)
- L** Ieplūdes filtrs

5.3.1 Aksesuāri (ja ir iekļauti piegādes komplektā – skatiet 1. attēlu)

- | | |
|---|--|
| C1 Sprauslas tīrīšanas rīks | C9 Adapteris |
| C2 Rotējošās sprauslas komplekts | C10 Skrūves |
| C3 Rokturis | C11 Skavas |
| C4 Birste | C12 Svira |
| C5 Šļūtenes spole | C13 Mazgāšanas līdzekļa komplekts |
| C6 Ūdens iesūkņēšanas komplekts | C14 Riteņiem |
| C7 Strūklas cauruļu komplekts | C15 Smērvielas tūbiņa |
| C8 Lielu virsmu tīrīšanas suku komplekts | C16 Spiediena mērtājā komplekts |
| | C17 Adapteris |

5.4 Drošības ierīces

- Palaišanas ierīce (H)

- Palaišanas ierīce pasargā no ierīces netišas lietošanas.

⚠ Bīdīnājums - briesmas!
Neiejaucieties drošības vārsta konstrukcijā un neregulējiet tā iestatījumus.

- Drošības vārsts un/vai spiediena ierobežošanas vārsts.

Drošības vārsts ir arī spiediena ierobežošanas vārsts. Atļaujot pistoles sprūdu, atveras vārsts un ūdens cirkulē pa sūkņa ieplūdes

atverī vai izplūst uz zemes.

- Termostata vārsts (D1) ja ir uzstādīts)

Ja ūdens temperatūra pārsniedz ražotāja norādīto temperatūru, termostata vārsts izlaiž karsto ūdeni un iesūknē tādu pašu daudzumu aukstā ūdens, līdz tiek atjaunota pareizā temperatūra.

- Drošības aizslēgs (D): novērš nejaucē ūdens izsmidzināšanu.

- Pārslodzes slēdzis: izslēdz ierīci pārslodzes gadījumā.

6 UZSTĀDĪŠANA (2. ATT.)/4. LPP.**6.1 Montāža****Bīdīnājums - briesmas!**

Visi uzstādīšanas un montāžas darbi ir jāveic, kad ierīce ir atvienota no strāvas.

Montāžas secība ir attēlot 2. att.

6.2 Spiediena atbrīvošanas vāciņu uzstādīšana (modeļiem ar šo funkciju)

Lai novērstu eļļas noplūdi, piegādātajai ierīcei eļļas izplūdes atveres ir pārklātas ar sarkanīem aizbāžņiem, kuru vietā ir jāuzstāda komplektā iekļautie spiediena atbrīvošanas vāciņi.

6.3 Rotējošās sprauslas uzstādīšana

(Modeļiem ar šo funkciju).

Rotējošās sprauslas komplekts nodrošina lielāku mazgāšanas jaudu. Rotējošās sprauslas izmantošana var izraisīt spiediena pazemināšanos par 35% salīdzinājumā ar regulējamo sprauslu. Tomēr rotējošās sprauslas komplekts nodrošina lielāku mazgāšanas jaudu, pateicoties rotējošajai ūdens strūklai.

6.4 Elektriskais pieslēgums**Bīdīnājums - briesmas!**

Pārbaudiet, vai elektrības avota spriegums un frekvence (V-Hz) atbilst datu plāksnītē norādītajām vērtībām (2. att.).

6.4.1 Pagarinātāju lietošana

Lietojiet pagarinātājus un kontaktdakšas ar "IPXS" aizsardzības līmeni.

Pagarinātāja vada šķērsgrīzumam ir jābūt proporcionālam tā garumam; jo garāks tas ir, jo lielākam jābūt šķērsgrīzumam. Skatiet 1. tabulu.

6.5 Ūdens padeves pievienošana**Bīdīnājums - briesmas!**

Ierīci drīkst lietot tikai ar tīru vai filtrētu ūdeni. Ūdens ieplūdes vārsta plūsmas ātrumam ir jābūt vienādam ar sūkņa plūsmas ātrumu.

Novietojiet ierīci pēc iespējas tuvāk ūdens apgādes sistēmai.

6.5.1 Pieslēguma vietas

● Ūdens izvade (IZPLŪDE)

■ Ūdens ieplūde ar filtru (IEPLŪDE)

6.5.2 Pieslēgums ūdens piegādes avotam

Ierīci var pievienot tieši komunālajam dzīvē ūdens tīklam, ja padeves caurule ir aprīkota ar pretvārstu, kā to pieprasa spēkā esošie noteikumi. Pārliecinieties, ka šļūtenes diametrs ir vismaz 13 mm, tā ir armēta un tās garums nepārsniedz 25 m.

6.5.3 Ūdens iesūkņēšana no vaļējumiem konteineriem

1) Ieskrūvējiet ieplūdes šļūteni ar filtru ūdens IEPLŪDE un novietojiet to konteinaera dibenā.

2) Atgaisojiet ierīci:

a) Atskrūvējiet rokturi.

b) Iedarbiniet ierīci un turiet pistoli atvērtu, līdz izplūstošajai ūdeni vairs nav gaisa burbuļu.

3) Izslēdziet ierīci un ieskrūvējiet atpakaļ rokturi.

N.B.: maksimālais iesūkņēšanas augstums ir 0,5 m. Iesūkšanas šļūtene pirms lietošanas ir jāuzpilda.

7 REGULĒŠANA (3. ATT.)/5. LPP.**7.1 Izsmidzināšanas sprauslas regulēšana** (modeļiem ar šo funkciju) Ūdens plūsmu regulē ar sprauslu (E).

7.2 Mazgāšanas līdzekļa regulēšana

Lai padotu mazgāšanas līdzekli ar pareizu spiedienu, iestatiet sprauslu (E) (ja tā ir uzstādīta) pozīcijā "■" vai uzstādiet mazgāšanas līdzekļa komplektu (C13) (ja tas ir pieejams), kā parādīts attēlā. Padotā mazgāšanas līdzekļa daudzumu regulē ar regulatoru (F).

7.3 Darba spiediena regulēšana (modeļiem ar šo funkciju)

Darba spiedienu regulē ar regulatoru (G). Spiediens tiek rādīts spiediena mērītājā (ja tāds ir).

8 INFORMĀCIJA PAR IERĪCES LIETOŠANU (4. ATT.)/5.LPP.**8.1 Vadības ierīces**

- Palaišanas ierīce (H).

Iestatiet palaišanas slēdži pozīcijā (ON/I), lai:

- a) iedarbinātu motoru (modeļiem bez TSS ierīces);
- b) sagatavotu motoru iedarbināšanai (modeļiem ar TSS ierīci).

Ja uz palaišanas ierīces ir gaismas indikators, tam ir jāizgaismojas.

Iestatiet palaišanas ierīces slēdži (OFF/0) pozīcijā, lai apturētu ierīci.

Ja uz palaišanas ierīces ir gaismas indikators, tam ir jānodziest.

- ūdens strūkulas vadības svira (I).

**Bridinājums - briesmas!**

Lietošanas laikā ierīce ir jānovieto uz stingras, stabilas virsmas, kā parādīts 4. attēlā.

8.2 Iedarbināšana (skatiet 4. att.)

- 1) Pildībā atveriet ūdens padeves vārstu.
- 2) Atļaidiet drošības aizturi (D).
- 3) Uz dažām sekundēm nospiediet pistoles sprūdu un iedarbiniet ierīci ar palaišanas ierīci (ON/I).

**Bridinājums - briesmas!**

Pirms ierīces iedarbināšanas pārliecinieties, ka tā saņem ūdeni; lietojot ierīci bez ūdens, to var sabojāt. Neaizsedziet ventilācijas atveres ierīces lietošanas laikā.

TSS modeļi - TSS modeļiem ar automātisku padeves plūsmas noslēgšanas sistēmu:

- atļaidiet pistoles sprūdu, dinamiskais spiediens automātiski atslēdz motoru;

- nospiežot pistoles sprūdu, automātiskais spiediena pazeminājums iedarbina motoru un pēc ļoti īsas pauzes spiediens tiek atjaunots;

- lai TSS darbotos pareizi, visas sprūdas atļaišanas un nospiešanas darbības ir jāveic ar vismaz 4-5 sekunžu intervālu.

Lai novērstu ierīces bojājumus, nelaujiet tai darboties bez ūdens un pārliecinieties, ka ir pietiekama ūdens padeve.

Lai novērstu bojājumus modeļiem bez TSS ūdens temperatūras paaugstināšanās rezultātā, neizslēdziet ūdens strūklu ilgāk kā uz 5 minūtēm, kamēr ierīce darbojas.

8.3 Apturēšana

- 1) Iestatiet palaišanas ierīces slēdži pozīcijā (OFF/0).
- 2) Nospiediet pistoles sprūdu un likvidējiet atlikušo spiedienu caurulēs.
- 3) Iestatiet drošības aizturi (D).

8.4 Atkārtota palaišana

- 1) Atļaidiet drošības aizturi (D).
- 2) Nospiediet pistoles sprūdu un likvidējiet atlikušo spiedienu caurulēs.
- 3) Iestatiet palaišanas ierīci ieslēgtā stāvoklī (ON/I).

8.5 Uzglabāšana

- 1) Aizveriet ūdens padeves vārstu.
- 2) Likvidējiet pistolē atlikušo spiedienu, līdz no ierīces izplūst viss tajā esošais ūdens.
- 3) Izslēdziet ierīci (OFF/0).
- 4) Izņemiet kontaktdakšu no kontaktlīdždas.
- 5) Pabeidzot darbu, iztukšojiet un izskalojiet mazgāšanas līdzekļa tvertni. Tvertnes skalošanai izmantojiet tīru ūdeni, nevis mazgāšanas līdzekli.
- 6) Iestatiet pistoles drošības aizturi (D).

8.6 Mazgāšanas līdzekļa uzpildīšana un lietošana

Mazgāšanas līdzeklis ir jāpadod, izmantojot aksesuārus un ievērojot 7.3 punktā aprakstīto kārtību.

Ja tiek izmantota augstspiediena šļūtene, kas ir garāka nekā oriģinālā ierīces komplektācijā iekļautā, vai izmantojot šļūtenes pagarinātāju, mazgāšanas līdzekļa iesūkņēšana var samazināties vai pilnībā apstāties.

Uzpildiet degvielas tvertni (B6) ar mazgāšanas līdzekli, kas bioloģiski nodrās.

8.7 Ieteicamā tīrīšanas procedūra

Atmieksējiet netīrumus, apstrādājot virsmu ar mazgāšanas līdzekli un ūdens maisījumu, kamēr tie vēl ir sausi.

Strādājot ar vertikālām virsmām, strādājiet virzienā no apakšas uz augšu. Ļaujiet mazgāšanas līdzeklim iedarboties 1-2 minūtes, bet nelaujiet virsmai nožūt. Sākot no apakšas, lietojiet augstspiediena strūklu ne mazāk kā 30 cm attālumā. Neļaujiet skalošanas ūdenim noplūst uz nemazgātām virsmām.

Dažos gadījumos, lai noņemtu netīrumus, tie ir jāberz ar birsti.

Augstspiediena mazgāšana ne vienmēr ir vislabākais risinājums labu tīrīšanas rezultātu panākšanai, jo tā var sabojāt dažas virsmas. Vissmalkāko regulējamās sprauslas iestatījumu un rotējošo sprauslu nav vēlams izmantot uz trauslām vai krāsotām detaļām vai komponentiem, kas atrodas zem spiediena (piemēram, riepām, gaisa vārstiem u.c.).

Tīrīšanas efektivitāte ir vienlīdz atkarīga no izmantotā ūdens spiediena daudzuma.

9 APKOPE (5. ATT.)/6. LPP.

Visi apkopes darbi, kas nav iekļauti šajā sadaļā, ir jāveic pilnvarotā pārdošanas un servisa centrā.

**Bridinājums - briesmas!**

Pirms jebkādu ierīces apkopes darbu veikšanas vienmēr atvienojiet kontaktdakšu no strāvas kontaktlīdždas.

9.1 Sprauslas tīrīšana

- 1) Atvienojiet rokturi no sprauslas.
- 2) Izņemiet visas netīrumu nogulsnes no sprauslas atveres, izmantojot rīku (C1).

9.2 Filtra tīrīšana

Pārbaudiet ieplūdes filtru (L) un mazgāšanas līdzekļa filtru (ja tāds ir uzstādīts) pirms katras lietošanas reizes un iztīriet to saskaņā ar norādījumiem, ja nepieciešams.

9.3 Motora atbloķēšana (modeļiem ar šo funkciju)

Ilgstošas apstāšanās gadījumā kalķa nogulsnes var izraisīt motora iekļīšanās. Lai atbloķētu motoru, pagrieziet piedziņas vārpstu ar rīku (M).

9.4 Eļļas uzpildīšana (modeļiem ar šo funkciju)

Pielejiet eļļu caur ieplūdes atveri, lai atjaunotu pareizo līmeni.

Eļļu raksturlielumus skatiet tabulā "Tehniskie dati".

Eļļa jānomaina ik pēc 500 lietošanas stundām.

9.5 Novietošana glabāšanai sezonas beigās

Pirms ierīces novietošanas ziemas glabāšanai padarbiniet to ar nekorodējošu, netoksisku antifīzru.

Novietojiet ierīci sausā vietā, kur tā ir aizsargāta no sala.

10 GLABĀŠANA UN TRANSPORTĒŠANA (5. ATT.)/6. LPP.

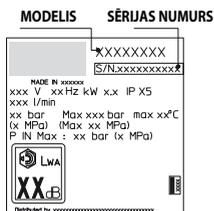
Novietojiet aksesuārus, kā parādīts 5. attēlā.

Pārvietojiet ierīci, kā parādīts 5. attēlā.

Problēma	Iespējamie iemesli	Risinājums
Sūknis nesasniedz darba spiedienu	Nodilusi sprausla	Nomainiet sprauslu
	Aizsērējis ūdens filtrs	Iztīriet filtru (L) (5. att.)
	Nepietiekama ūdens padeve	Pilnībā atveriet ūdens padeves vārstu
	Sistēmā tiek iesūknēts gaiss	Pārbaudiet šļūtenu savienojumu stingrību
	Gaiss sūknī	Izslēdziet ierīci un spiediet un atlaidiet pistoles sprūdu, līdz vienmērigi sāk izplūst ūdens. Vēlreiz ieslēdziet ierīci.
	Regulējama sprausla nav novietota pareizi	Iestatiet sprauslu (E) pozīcijā (+) (3. att.)
Sūkņa spiediens negaidīti nokrītas darbības laikā	Nostrādājis termostatisks vārsts	Pagaidiet, kamēr atjaunojas pareiza ūdens temperatūra
	Ūdens tiek iesūknēts no atvērta konteina no vairāk nekā 0,5 m augstuma.	Samaziniet iesūkņēšanas augstumu.
	Tiek iesūknēts ūdens no ārējās tvertnes	Pievienojiet ierīci ūdens apgādes tīklam
Motors "dūc", bet neiedarbojas	Ieplūdes ūdens pārāk karsts	Pazeminiet temperatūru
	Aizsērējusī sprausla	Iztīriet sprauslu (5. att.)
	Aizsērējusī ieplūdes filtrs (L)	Iztīriet filtru (L) (5. att.)
	Barošanas spriegums pārāk zems	Pārbaudiet vai elektrotīkla strāvas spriegums ir tāds pats, kāds norādīts datu plāksnītē (2. att.)
Motors neiedarbojas	Sprieguma kritums pagarinātāja lietošanas dēļ	Pārbaudiet pagarinātāja parametrus
	Ierīce ilgstoši nav lietota	Sazinieties ar tuvāko pilnvaroto servisa centru
	TSS ierīces problēmas	Sazinieties ar tuvāko pilnvaroto servisa centru
	Nav elektrības padeves	Pārbaudiet, vai kontaktakša ir kārtīgi iesprausta kontaktligzdā un vai kontaktligzdā ir spriegums (*)
Ūdens noplūdes	TSS ierīces problēmas	Sazinieties ar tuvāko pilnvaroto servisa centru
	Ierīce ilgstoši nav lietota	Ar rīku (M) atbloķējiet motoru caur ierīces aizmugurē esošo atveri (modeļiem ar šo funkciju) (5. att.)
	Izdilušas blīves	Nomainiet blīves tuvākajā pilnvarotajā servisa centrā
Ierīce ir trokšņaina	Nostrādājis drošības vārsts un notiek izplūde	Sazinieties ar pilnvarotu servisa centru
Elļas noplūdes	Pārāk silts ūdens	Pazeminiet temperatūru (skatiet tehniskos datus)
Tikai versijām ar TSS: ierīce iedarbojas pat ar atlaistu sprūdu	Izdilušas blīves	Sazinieties ar tuvāko pilnvaroto servisa centru
Tikai versijām ar TSS: nenotiek ūdens padeve, kad ir nospiests pistoles sprūds (ar pievienotu padeves šļūteni)	Augstspiediena sistēma vai sūkņa kontūrs nav hermētisks	Sazinieties ar tuvāko pilnvaroto servisa centru
Netiek iesūknēts mazgāšanas līdzeklis	Aizsērējusī sprausla	Iztīriet sprauslu (5. att.)
	Regulējamā sprausla ir augstspiediena iestatījumā	Iestatiet sprauslu (E) pozīcijā "■" (3. att.)
	Mazgāšanas līdzeklis ir pārāk blīvs	Atšķaidiet ar ūdeni
	Tiek lietots augstspiediena šļūtenes pagarinātājs	Uzstādiet oriģinālo šļūteni
No termostata vārsta izplūst ūdens	Nogulsnes vai šķēršļi mazgāšanas līdzekļa kontūrā	Izskalojiet ar tīru ūdeni un iztīriet šķēršļus. Ja šī problēma atkārtojas, sazinieties ar pilnvarotu servisa centru
	Ūdens temperatūra sprauslas iekšpusē ir pāršņiegusi maksimālo nominālo vērtību, kas norādīta uz marķējuma plāksnītes	Kad ierīce darbojas, neizslēdziet ūdens strūklu uz vairāk nekā 5 minūtem no vietas

(*) Ja motors darbības laikā apstājas un vairs neiedarbojas, pirms iedarbināšanas procedūras atkārtošana nogaidiet 2-3 minūtes (Ir aktivēta pārslodzes atslēgšana).

Ja problēma atkārtojas vairākkārt, sazinieties ar tuvāko pilnvaroto servisa centru.



12 KĀ IZVAIRĪTIES NO VIRSMU SABOJĀŠANAS**BRĪDINĀJUMS**

- 12.1 Ierīces lietošana riepu mazgāšanai var sabojāt riepas un būt bīstama.
 12.2 Nekad nevirziet augstspiediena strūklu tieši pret riepām.
 12.3 Veicot tīrīšanu ap riteņiem un riepām ar ierīci, vienmēr lietojiet zemākā spiediena iestatījumu.
 12.4 Nekad nevienas transportlīdzekļa daļas mazgāšanā nelietojiet „turbo rokturi”.
 12.5 Sīkāku informāciju skat. sadaļā: “8.7 Ieteicamā tīrīšanas procedūra”.

**EK atbilstības deklarācija.**

Mēs, Annovi Reverberi S.p.A, paziņojam, ka šāda(s) De Walt ierīce(s):

Ierīces apzīmējums	Augstspiediena mazgātājs			
Modeļa Nr	DXPW 004 E	DXPW 005 E	DXPW 006 E	DXPW 007 E
Nominālā jauda	3 kW	5 kW	5 kW	7,4 kW

atbilst šādām Eiropas direktīvām:

2006/42/EK, 2014/35/ES, 2011/65/ES, 2015/863/ES, 2012/19/ES, 2014/30/ES un 2000/14/EK

un ir izgatavota(s) saskaņā ar šādiem standartiem vai standartizētiem dokumentiem:

EN 60335-1; EN 60335-2-79; EN 55014-1; EN 55014-2; EN 61000-3-2; EN 61000-3-3; EN 61000-3-11; EN 60704-1; EN 62233; EN IEC 63000

Personas, kam ir tiesības izsniegt tehnisko dokumentāciju, uzvārds un adrese: Stefano Reverberi / AR izpilddirektors

Via ML King, 3 - 41122 Modena, Itālija

Direktīvas 2000/14/EK pieprasītā atbilstības novērtējuma procedūra ir veikta saskaņā ar Pielikumu V

Modeļa Nr.	DXPW 004 E	DXPW 005 E	DXPW 006 E	DXPW 007 E
Izmērītais skaņas intensitātes līmenis:	93,5 dB (A)	93,9 dB (A)	93,9 dB (A)	94,4 dB (A)
Garantētais skaņas intensitātes līmenis:	96 dB (A)	96 dB (A)	96 dB (A)	97 dB (A)

Datums: 04.03.2022.

MODENA (I)

Stefano Reverberi


Izpilddirektors

Garantija

Garantijas spēkā esamība ir atkarīga no produkta pārdošanas valstī spēkā esošajiem normatīvajiem aktiem (ja vien pārdevējs nav noteicis citādi).

Garantija attiecas uz materiālu, konstrukcijas un atbilstības defektiem garantijas periodā, kura ietvaros ražotājs nomainīs bojātās detaļas un saremontēs produktu, ja tas nav pārmērīgi nolietots, vai nomainīs to.

Garantija neattiecas uz komponentiem, kas pakļauti normālam nolietojumam (vārstiem, virzūļiem, ūdens blīvēm, eļļas blīvēm, atspērēm, blīvgredzeniem, aksesuāriem, piemēram, šūtenēm, pistoli, birstēm, riteniem u.c.);

Garantija neattiecas uz defektiem, kurus izraisa vai kuru cēlonis ir:

- nepareiza lietošana, neparedzēta lietošana, nolaidība,
- profesionālai lietošanai vai iznomāšanai, ja produkts ir pārdots lietošanai sadzīves vajadzībām,
- šajā rokasgrāmatā sniegto apkopes norādījumu neievērošana,
- remonts, ko veic nepilnvarots personāls vai serviss,
- neoriģinālo detaļu vai aksesuāru lietošana,
- transportēšanas, netīrumu vai svešķermeņu radīti bojājumi, negadījumi,
- uzglabāšanas problēmas.

Lai saņemtu garantijas apkalpošanu, ir jāuzrāda pirkumu apliecināošs dokuments.

Lai saņemtu palīdzību, Lappuse: 285.

Tehniskie dati

Tehniskie dati	Mērv.	DXPW 004 E	DXPW 005 E	DXPW 006 E	DXPW 007 E
Caurplūde	l/min	10	13,5	15	14
Maksimālais plūsmas ātrums	l/min	-	-	-	-
Spiediens	MPa	12	18	15	21
Maksimālais spiediens	MPa	15	20	17	23
Jauda	kW	3	5	5	7,4
Maks. ieplūdes temperatūra	°C	60	60	60	60
Maksimālais ieplūdes spiediens	MPa	1	1	1	1
Pistoles prettrieciens pie maksimālā spiediena	N	24,30	40,10	40,70	44,90
Sūkņa eļļas veids	kg	-	-	-	-
Protection class	-	II/⊕	II/⊕	II/⊕	II/⊕
Motora izolācija	Klase	F	F	F	F
Motora aizsardzība	-	IPX5	IPX5	IPX5	IPX5
Spriegums	V/Hz	230/50 1~	400/50 3~	400/50 3~	400/50 3~
Maksimālā atļautā elektrosistēmas pretestība	Ω	-	-	-	-
Skaņas spiediena līmenis L_{pA} (EN 60704-1) (K = 2,5 dB(A))	dB (A)	82,1	82,5	82,5	83
Skaņas intensitātes līmenis L_{WA} (EN 60704-1) (K = 2,5 dB(A))	dB (A)	96	96	96	97
Ierīces vibrācija (K = 1 m/s ²):	m/s ²	<2,5	<2,5	<2,5	<2,5
Svars	kg	38	40	40	64

iespējams ieviest tehniskus uzlabojumus!

1 VEILIGHEIDSVOORSCHRIFTEN

1.1 De door u aangeschafte machine is een technologisch geavanceerd product, ontwikkeld door één van de meest deskundige Europese bedrijven op het gebied van hogedrukreinigers. Om verzekerd te zijn van de beste resultaten, hebben we deze voorschriften opgesteld die aandachtig moeten worden gelezen en bij ieder gebruik van het apparaat moet worden opgevolgd. Tijdens het aansluiten, gebruik en onderhoud van de machine moet u alle mogelijke voorzorgsmaatregelen treffen om uw eigen gezondheid en die van de personen in de onmiddellijke nabijheid te waarborgen. De veiligheidsvoorschriften moeten aandachtig worden gelezen en opgevolgd omdat de veronachtzaming ervan gevaarlijk kan zijn voor de gezondheid en veiligheid van personen of tot financiële schade kan leiden.

2 INFORMATIEAANDUIDINGEN

2.1 Houdt u zich aan de informatie van de plaatjes en de symbolen op de machine en in deze gebruiksaanwijzing.

Op de machine en in de gebruiksaanwijzing vindt u alleen de voor de aangeschafte machine pertinente symbolen. Controleer of de op de machine aangebrachte symbolen en plaatjes altijd intact en leesbaar zijn; zo niet, dan moet u ze vervangen en de nieuwe plaatjes op dezelfde plek aanbrengen.

 Let op - Gevaar

  Lees deze gebruiksaanwijzing vóór het gebruik aandachtig door.

 Pictogram E2 (indien het symbool in fig. 1 aanwezig is) - Geeft aan dat de machine bestemd is voor een professioneel gebruik, dat wil zeggen voor personen met ervaring en technische, normatieve en juridische kennis en in staat om de noodzakelijke handelingen voor het gebruik en onderhoud van de machine te verrichten. Deze machine is niet bedoeld voor gebruik door personen (inclusief kinderen) met beperkte lichamelijke, zintuiglijke of geestelijke vermogens, of gebrek aan ervaring en kennis.

 Bewegende onderdelen. Niet aanraken.

0 Stand uitgeschakelde schakelaar

I Stand ingeschakelde schakelaar

 Gegarandeerd geluidsvermogeniveau



 Verbod, informeert de gebruiker dat de nationale normenstelsels de aansluiting van het product op het drinkwaterdistributienetwerk kunnen verbieden.



Gevaarsignaal om de gebruiker te informeren dat hij de waterstraal niet rechtstreeks op personen, dieren, elektrische apparaten of het product zelf mag richten.

 Dit product heeft een isolatieklasse I bescherming. Dit betekent dat hij is uitgerust met een beschermende aardgeleider (alleen wanneer dit symbool op de machine is aangebracht).

CE Dit product voldoet aan de toepasselijke Europese richtlijnen.



Pictogram E1 - Wijst op de verplichting om de machine **niet te verwerken** als stedelijk afval; hij kan worden teruggegeven aan de distributeur bij aanschaf van een nieuwe machine. De elektrische en elektronische delen waaruit de machine is samengesteld mogen niet worden hergebruikt voor oneigenlijke doeleinden vanwege de aanwezigheid van schadelijke substanties voor de gezondheid.

 Gebruik gehoorbescherming.

 Gebruik een veiligheidsmasker.

 Gebruik ademhalingsbescherming.

 Gebruik veiligheidshandschoenen.

 Gebruik veiligheidsschoenen.

 Gebruik beschermende kleding.



3 VOORSCHRIFTEN VOOR DE VEILIGHEID/OVERIGE RISICO'S**3.1 WAARSCHUWING: WAT U NIET MOET DOEN**

- 3.1.1** LET OP. Sta NIET toe dat kinderen de machine gebruiken, maar controleer ze om er verzekerd van te zijn dat ze er niet mee spelen.
- 3.1.2** LET OP. Hogedrukstralen kunnen bij een onjuist gebruik gevaarlijk zijn.
- 3.1.3** LET OP. **GEBRUIK DE MACHINE NIET** met vloeistoffen die ontvlambaar of giftig zijn of eigenschappen hebben die een correcte werking van de machine in de weg staan. De machine mag niet worden gebruikt in een ontvlambare of explosieve omgeving.
- 3.1.4** LET OP. **EXPLOSIEGEVAAR. SPROEI GEEN** ontvlambare vloeistoffen.
- 3.1.5** LET OP. **RICHT DE WATERSTRAAL NIET** op personen of dieren.
- 3.1.6** LET OP. **RICHT DE WATERSTRAAL NIET** op de machine zelf, op elektrische onderdelen ervan of op andere elektrische apparaten.
- 3.1.7** LET OP. **GEBRUIK DE MACHINE NIET** binnen het bereik van personen die geen beschermende kleding dragen.
- 3.1.8** LET OP. **RICHT DE STRAAL NIET** op uzelf of anderen om kleding of schoeisel mee te reinigen.
- 3.1.9** LET OP. **GEBRUIK DE MACHINE NIET** buiten als het regent.
- 3.1.10** LET OP. De machine mag NIET worden gebruikt door kinderen, onbekwame personen en personen die de gebruiksaanwijzing niet hebben gelezen en begrepen.
- 3.1.11** LET OP. **RAAK DE STEKKER EN/OF HET STOPCONTACT NIET** met natte handen aan.
- 3.1.12** LET OP. **GEBRUIK DE MACHINE NIET** met een beschadigde voedingskabel. Om gevaren voor de veiligheid te vermijden moet een beschadigde voedingskabel worden vervangen door de fabrikant, een door hem erkende klantenservice of een gekwalificeerde persoon.
- 3.1.13** LET OP. Gebruik de machine NIET als de voedingskabel of belangrijke onderdelen, zoals bijv. de beveiligingen, hogedrukslangen of het pistool, beschadigd blijken.
- 3.1.14** LET OP. **BLOKKEER DE HENDEL VAN HET PISTOOL NIET** in de werkstand.
- 3.1.15** LET OP. Controleer of het typeplaatje op de machine aanwezig is, waarschuw de dealer bij afwezigheid ervan. Aangezien ze niet te identificeren en potentieel gevaarlijk zijn mogen machines zonder typeplaatje NIET worden gebruikt.
- 3.1.16** LET OP. Voer GEEN werkzaamheden uit op de veiligheidsklep en de beveiligingen en wijzig er de afstelling NIET van.



- 3.1.17 **LET OP.** Verander de originele diameter van de straal van het mondstuk NIET.
- 3.1.18 **LET OP.** Trek niet aan de VOEDINGSKABEL om de machine te verplaatsen.
- 3.1.19 **LET OP.** Voorkom dat voertuigen over de hogedrukslang rijden.
- 3.1.20 **LET OP.** Trek NIET aan de hogedrukslang om de machine te verplaatsen.
- 3.1.21 **LET OP.** Een op banden, bandventielen en andere, onder druk staande onderdelen gerichte hogedrukstraal is potentieel gevaarlijk. Vermijd het gebruik van de vuilfrees en handhaaf in ieder geval altijd een straalafstand van tenminste 30 cm tijdens het reinigen.
- 3.1.22 **LET OP.** Het gebruik van niet-originele en niet specifiek voor het model bestemde accessoires is verboden. Het is verboden om wijzigingen op de machine aan te brengen; eventuele wijzigingen zullen de Conformiteitsverklaring doen vervallen en de fabrikant vrijwaren van civiel- en strafrechtelijke aansprakelijkheid.

3.2 WAARSCHUWING: WAT U WEL MOET DOEN

- 3.2.1 **LET OP.** Alle elektriciteitsgeleidende delen MOETEN WORDEN AFGESCHERMD tegen de waterstraal.
- 3.2.2 **LET OP.** De elektrische aansluiting zal moeten worden uitgevoerd door een gekwalificeerd elektromonteur conform de IEC 60364-1 norm. De montage van een aardlekschakelaar, die de stroomtoevoer naar de machine zal onderbreken wanneer de lekstroom naar de aarde gedurende 30 ms meer dan dan 30 mA bedraagt, of van een besturingsinrichting van het aardcircuit wordt aanbevolen.
- 3.2.3 **LET OP.** TIJDENS het opstarten van de machine kunnen storingen in het lichtnet optreden.
- 3.2.4 **LET OP.** Het gebruik met een differentiaalschakelaar voor de beveiliging biedt extra persoonlijke bescherming (30 mA).
- 3.2.5 **LET OP.** De installatie van de modellen zonder stekker moet worden uitgevoerd door gekwalificeerd personeel.
- 3.2.6 **LET OP.** Gebruik uitsluitend geautoriseerde verlengkabels met een geschikte doorsnede van de geleidedraden.
- 3.2.7 **LET OP.** Schakel altijd de hoofdschakelaar uit wanneer u de machine onbeheerd achterlaat.

3.2.8



LET OP. Als gevolg van de hoge druk zullen voorwerpen kunnen wegspringen, gebruik daarom alle beschermende kleding en beveiligingen (PBM) die de veiligheid en gezondheid van de bediener zullen waarborgen.



- 3.2.9 LET OP.** Vóór alle werkzaamheden op de machine moet u de stekker UIT het stopcontact TREKKEN.
- 3.2.10 LET OP.** HOUD, vanwege de terugslag, het pistool STEVIG VAST als u de hendel indrukt.
- 3.2.11 LET OP.** HOUDTUZICHAAN de voorschriften van het plaatselijke waterleidingbedrijf. Volgens de Norm IEC 60335-2-79 mag de machine uitsluitend rechtstreeks op het openbare drinkwaterdistributienetwerk worden aangesloten indien er in de toevoerleiding een terugstroomklep met afvoer van het type BA, conform de norm EN 12729, is geïnstalleerd. De terugstroomklep kan bij de fabrikant worden besteld.
- 3.2.12 LET OP.** Het water dat in de terugstroombeveiligingen is gestroomd is niet drinkbaar.
- 3.2.13 LET OP.** Het onderhoud en/of de reparatie van de elektrische componenten MOET door gekwalificeerd personeel worden uitgevoerd.
- 3.2.14 LET OP.** BLAAS de restdruk AF voordat u de slang van de machine loskoppelt.
- 3.2.15 LET OP.** CONTROLEER, vóór ieder gebruik en met regelmatige tussenpozen, of alle schroeven goed zijn aangedraaid en of alle onderdelen van de machine in goede staat verkeren; controleer op kapotte of versleten onderdelen.
- 3.2.16 LET OP.** GEBRUIK alleen reinigingsmiddelen die compatibel zijn met de bekledingsmaterialen van de hogedrukslang / voedingskabel.
- 3.2.17 LET OP.** HOUD personen en dieren op een afstand van ten minste 15 m.
- 3.2.18 LET OP.** Deze machine is ontworpen voor gebruik met de door de fabrikant geleverde of aanbevolen reinigingsmiddelen. Het gebruik van andere reinigingsmiddelen of chemicaliën kan negatieve consequenties voor de veiligheid ervan hebben.
- 3.2.19 LET OP.** Vermijd contact van het reinigingsmiddel met de huid en in het bijzonder de ogen! Bij contact met de ogen moet u die onmiddellijk spoelen met schoon water en medische hulp invoeren.
- 3.2.20 LET OP.** De hogedrukslangen, de fittingen en koppelingen zijn belangrijk voor de veiligheid van de machine. Gebruik uitsluitend de door de fabrikant aanbevolen hogedrukslangen, fittingen en koppelingen.
- 3.2.21 LET OP.** Gebruik uitsluitend originele vervangingsonderdelen van de fabrikant of door hem goedgekeurde vervangingsonderdelen om van de veiligheid van de machine verzekerd te zijn.



- 3.2.22 LET OP.** Als een verleng snoer wordt gebruikt, moeten de stekker en het stopcontact waterdicht zijn.
- 3.2.23 LET OP.** Niet geschikte verleng snoeren kunnen gevaarlijk zijn. Bij gebruik van een verleng snoer moet u een type kiezen dat geschikt is voor gebruik buitenshuis en ervoor zorgen dat de verbinding droog en van de grond blijft. Het wordt aanbevolen om hiervoor een kabelhaspel te gebruiken, die het stopcontact op ten minste 60 mm van de grond houdt.
- 3.2.24 LET OP.** Schakel de machine uit en koppel hem los van de stroombron voordat u de werkzaamheden voor de montage, reiniging, regeling of het onderhoud en vervoer start.
- 3.2.25 LET OP.** Plaats de leidingreinigungsset tot aan de rode markering voordat u de machine inschakelt.



4 ALGEMENE INFORMATIE (FIG. 1)/PAGINA 3**4.1 Gebruik van de handleiding**

Deze handleiding is een geïntegreerd onderdeel van de machine; bewaar hem voor latere raadpleging. Lees hem vóór de installatie en het gebruik aandachtig door. Bij overdracht van het apparaat is de oude eigenaar verplicht om de handleiding aan de nieuwe eigenaar te overhandigen.

4.2 Levering

De machine wordt gedeeltelijk gedemonteerd in een kartonnen doos geleverd.

De samenstelling van de levering staat afgebeeld in fig. 1

4.2.1 Bijgevoegde documentatie

- A1** Gebruiks- en onderhoudshandleiding
- A2** Veiligheidsvoorschriften
- A3** Conformiteitsverklaring
- A4** Garantiebepalingen

4.3 Verwerking van het verpakkingsmateriaal

De materialen waaruit de verpakking bestaat vormen geen bedreiging voor het milieu maar zullen wel gerecycled of verwerkt moeten worden in overeenstemming met de geldende normen in het land van gebruik.

5 TECHNISCHE INFORMATIE (FIG. 1)/PAGINA 3**5.1 Beoogd gebruik**

De machine is bestemd voor een persoonlijk gebruik, voor het reinigen van voertuigen, machines, vaartuigen, metselwerk enz., om hardnekkig vuil met schoon water en biologisch afbreekbare chemische reinigingsmiddelen te verwijderen.

Het wassen van voertuigmotoren is slechts toegestaan wanneer het vieze water volgens de geldende normen wordt verwerkt.

- Temperatuur toevoerwater: **zie het typeplaatje op de machine.**
- Waterdruk aan de ingang: **min. 0,1 MPa - max. 1 MPa.**
- Omgevingstemperatuur bij gebruik: **hoger dan 0°C.**

De machine voldoet aan de normen IEC 60335-1 en IEC 60335-2-79.

5.2 Bediener

Voor de identificatie van de bediener belast met het gebruik van de (professionele of niet-professionele) machine verwijzen wij naar het pictogram in fig. 1.

5.3 Hoofdbestanddelen

- B2** Lans
- B3** Pistool met beveiliging
- B4** Elektriciteitskabel met stekker (waar voorzien)
- B5** Hogedrukslang
- B6** Tank reinigingsmiddel (waar voorzien)
- B7** Olliedop (waar voorzien)
- E** Mondstuk
- F** Regelaar reinigingsmiddel (waar voorzien)
- G** Drukregelaar (waar voorzien)
- H** Startinrichting
- L** Waterfilter

5.3.1 Accessoires (indien voorzien in de levering - zie fig. 1).

- | | |
|--|-----------------------------|
| C1 Gereedschap voor het reinigen van het mondstuk | C9 Adapter |
| C2 Vuilfrees | C10 Schroeven |
| C3 Handgreep | C11 Beugels |
| C4 Borstel | C12 Hendel |
| C5 Slanghaspel | C13 Reinigingsmiddel |
| C6 Wateraanzuigset | C14 Wielen |
| C7 Leidingreinigingsset | C15 Tube smeervet |
| C8 Borstel voor grote oppervlakken | C16 Manometer |
| | C17 Adapter |

5.4 Beveiligingen

- Startinrichting (H)

De startinrichting voorkomt het ongewenste starten van de machine.



Let op - gevaar!

Voer geen werkzaamheden uit op de veiligheidsklep

en wijzig er de afstelling niet van.

- Veiligheids- en/of overdrukventiel.

De veiligheidsklep is tevens een overdrukventiel. Wanneer het pistool wordt gesloten gaat de klep open en recirculeert het water door de pomp aanzuiging of wordt het naar de grond afgevoerd.

- Thermostaatklep (D1 waar voorzien)

Wanneer de watertemperatuur de door de fabrikant voorziene waarde overschrijdt, zal de thermostaatklep het warme water afvoeren en genoeg koud water aanzuigen om de juiste temperatuur weer te herstellen.

- Beveiliging (D): voorkomt ongewenste waterstralen.

- Thermische beveiliging: in geval van overbelasting zal deze beveiliging de machine stoppen.

6 INSTALLATIE (FIG. 2)/PAGINA 4**6.1 Montage**

Let op - gevaar!

Tijdens alle installatie- en montagewerkzaamheden moet de machine losgekoppeld zijn van het elektriciteitsnet. Voor de montagevolgorde verwijzen wij naar fig. 2.

6.2 Montage van de ontluuchtingsdoppen (waar voorzien)

Om olie lekkage te voorkomen, wordt de machine geleverd met de olievulopening afgesloten met rode doppen die moeten worden vervangen door de bijgevoegde ontluuchtingsdoppen.

6.3 Montage van de vuilfrees

(Voor de modellen die hiermee zijn uitgerust).

Met de vuilfrees beschikt u over meer waskracht.

Het gebruik van de vuilfrees kan leiden tot een daling van de druk van 25% ten opzichte van de druk verkregen met het regelbare mondstuk. Het gebruik ervan biedt meer waskracht dankzij het roterende effect op de waterstraal.

6.4 Elektrische aansluiting

Let op - gevaar!

Controleer of de spanning en frequentie (V-Hz) van het elektriciteitsnet overeenstemmen met de waarden vermeld op het typeplaatje (fig. 2).

6.4.1 Gebruik van de verlengkabels

Gebruik kabels en stekkers met een "IPXS" beschermingsgraad. De diameter van de verlengkabels moet evenredig zijn aan de lengte ervan; hoe langer de kabel, des te groter moet de diameter ervan zijn. Zie tabel 1.

6.5 Aansluiting op het waterleidingnet

Let op - gevaar!

Zuig uitsluitend gefilterd of schoon water op. De waterkraan moet een watertoevoer garanderen die tenminste gelijk is aan de capaciteit van de pomp.

Plaats de machine zo dicht mogelijk bij het waterleidingnet.

6.5.1 Verbindingsopeningen

- Wateruitlaat (OUTLET)
- Waterinlaat met filter (INLET)

6.5.2 Aansluiting op het openbare waterleidingnet

De machine mag alleen rechtstreeks op het openbare drinkwaterdistributienet worden aangesloten als er in de toevoerleiding een terugstroomklep met afvoer overeenkomstig de geldende normen is geïnstalleerd. Verzeker u ervan dat diameter van de slang tenminste 13 mm is, dat hij verstevigd en niet langer dan 25 m is.

6.5.3 Het aanzuigen van water uit open recipiënten

- 1) Schroef de aanzuigslang met het filter aan op de waterinlaat (INLET) en laat hem tot onderin de tank zakken.
 - 2) De machine ontluuchten:
 - a) Schroef de lans los;
 - b) Start de machine en open het pistool tot het eruitstromende water geen luchtbelletjes meer heeft.
 - 3) Schakel de machine uit en schroef de lans weer vast.
- N.B.: de maximale aanzuighoogte is 0,5 m. Wij raden aan om voor het starten de aanzuigleiding te vullen.

7 **REGELINGEN (FIG. 3)/PAGINA 5**

- 7.1 Regeling van het mondstuk** (waar voorzien)
Verdraai het mondstuk (E) om de waterstraal te regelen.
- 7.2 Regeling reinigingsmiddeldosering**
Voor een reinigingsmiddelfigfite met de juiste druk moet u het mondstuk (E) (waar voorzien) in de stand "■" zetten, of de reinigingsmiddelset C13(waar voorzien) monteren, zoals afgebeeld in de figuur.
Gebruik de reguleator (F) om de reinigingsmiddelfigfite te doseren (waar voorzien).
- 7.3 Regeling van de bedrijfsdruk** (waar voorzien)
Gebruik de reguleator (G) om de bedrijfsdruk te veranderen. De druk wordt aangegeven door de manometer (indien aanwezig).

8 **GEBRUIKSI NFORMATIE (FIG. 4)/PAGINA 5**

8.1 Bedieningen

- Startinrichting (H)
Zet de startinrichting in de stand (ON/I) om:
a) de motor te starten (bij de modellen zonder TSS-inrichting)
b) de motor voor het gebruik gereed te maken (bij de modellen met TSS-inrichting)
Wanneer de startinrichting is uitgerust met een controlelampje, zal deze moeten gaan branden.
Zet de startinrichting in de stand (OFF/0) om de werking van de hogedrukreiniger te onderbreken.
Wanneer de startinrichting is uitgerust met een controlelampje, zal deze uit moeten gaan.
- Bedieningshendel waterstraal (I).



Let op - gevaar!

De machine moet tijdens de werking op een veilig en stabiel oppervlak staan en geplaatst zijn zoals aangegeven in fig. 4.

8.2 Starten (Zie fig. 4.)

- Open de kraan van het waterleidingnet volledig.
- Schakel de beveiliging (D) uit.
- Houd het pistool enkele seconden lang geopend en start de machine met de startinrichting (ON/I).



Let op - gevaar!

Voordat u de machine in werking stelt moet u zich verzekeren van de correcte watertoevoer; het droge gebruik zal de machine beschadigen; bedek tijdens het gebruik de ventilatieroosters niet.

TSS-modellen - Bij de TSS-modellen met automatische onderbreking van de toevoer:

- zal, bij het sluiten van het pistool, de dynamische druk de elektro-motor onmiddellijk uitschakelen;
 - zal, bij het openen van het pistool, de drukval automatisch de elektromotor starten waarna de druk weer met een hele korte vertraging wordt hersteld;
 - voor een perfecte werking van de TSS mag u het pistool niet sluiten en openen met tussenpauzes van minder dan 4+5 seconden.
- Om schade aan de machine te voorkomen moet u het droge gebruik ervan vermijden en u ervan verzekeren dat de machine altijd naar behoren met water wordt gevoed. Bij de modellen zonder TSS moet u, om schade aan de machine als gevolg van een verhoging van de watertemperatuur te voorkomen, bij een draaiende machine de waterstraal nooit langer dan 5 minuten onderbreken.**

8.3 Stoppen

- Zet de startinrichting in de stand (OFF/0).
- Open het pistool en blaas de druk in de leidingen af.
- Schakel de beveiliging (D) in.

8.4 Herstarten

- Schakel de beveiliging (D) uit.
- Open het pistool en blaas de lucht in de leidingen af.
- Zet de startinrichting in de stand (ON/I).

8.5 Buitengebruikstelling

- Draai de waterkraan dicht.
- Blaas de restdruk in het pistool af tot er geen water meer uit de machine komt.
- Schakel de machine uit (OFF/0).
- Trek de stekker uit het stopcontact.
- Maak na het gebruik de reinigingsmiddelentank leeg en schoon. Voor het schoonmaken van de tank moet u in plaats van het reinigingsmiddel schoon water gebruiken.
- Schakel de beveiliging (D) van het pistool in.

8.6 Het reinigingsmiddel vullen en gebruiken

De reinigingsmiddelfigfite moet plaatsvinden met de accessoires en op de wijzen voorzien in punt 7.3.

Het gebruik van een langere hogedrukslang dan het standaard, met de machine geleverde exemplaar, of het gebruik van een extra verlengslang kan het aanzuigen van het reinigingsmiddel uit de tank (waar voorzien) verminderen of volledig onderbreken.

Vul de tank (B6) met een biologisch goed afbreekbaar reinigingsmiddel.

8.7 Tips voor een correcte wasbeurt

Breng reinigingsmiddel aan op het droge oppervlak om het vuil op te lossen. Werk bij verticale oppervlakken van beneden naar boven. Laat het product 1+2 minuten inwerken, waarbij het oppervlak echter niet mag opdrogen. Werk met de hogedrukstraal op een afstand van meer dan 30 cm, en start onderaan. Voorkom dat het spoelwater op nog niet gewassen oppervlakken druipt.

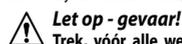
In bepaalde gevallen zal de mechanische werking van de wasborstels nodig zijn om het vuil te verwijderen.

De hoge druk is niet altijd de beste oplossing voor een goede wasbeurt en zal bepaalde oppervlakken kunnen beschadigen. Het gebruik van de puntstraal van het regelbare mondstuk en het gebruik van de vuilfrees op delicate en gelakte delen en onder druk staande componenten (bijv. banden, ventielen..) moet worden vermeden.

Een goede waswerking hangt op gelijke mate af van de druk en van de hoeveelheid water.

9 **ONDERHOUD (FIG. 5)/PAGINA 6**

Alle, niet in dit hoofdstuk behandelde onderhoudswerkzaamheden moeten bij een erkend Verkoop- en Servicecentrum worden uitgevoerd.



Let op - gevaar!

Trek, vóór alle werkzaamheden op de machine, de stekker uit het stopcontact.

9.1 Reiniging van het mondstuk

- Demonteer de lans van het pistool.
- Verwijder met het gereedschap (C1) het vuil uit het gaatje in het mondstuk.

9.2 Reiniging van het filter

Controleer voor ieder gebruik het aanzuigfilter (L) en het reinigingsmiddelfilter (waar voorzien) en reinig ze, indien noodzakelijk, volgens de aanwijzingen.

9.3 Opheffing motorblokkering (waar voorzien)

Bij langdurige stilstand kan kalkaanslag de motor blokkeren. Om de blokkering op te heffen moet u met het gereedschap (M) de krukas draaien.

9.4 Olie bijvullen (waar voorzien)

Gebruik de vulopening om de olie tot op het juiste niveau bij te vullen. Zie, voor de eigenschappen van de olie, de tabel "Technische gegevens". Wij bevelen aan om de olie om de 500 gebruiksuren te vervangen.

9.5 Opbergen

Voordat u de machine voor de winter opbergt, moet u hem met niet-agressieve/niet-toxische antivriesvloeistof laten draaien. Bewaar het apparaat op een droge en tegen vorst beschermde plek.

10 **OPSLAG EN TRANSPORT (FIG. 5)/PAGINA 6**

Sla de accessoires op zoals voorzien in fig. 5.
Vervoer de machine zoals voorzien in fig. 5.

12 HOE BESCHADIGINGEN VAN DE OPPERVLAKKEN TE VERMIJDEN



- 12.1 Het gebruik van de machine voor het wassen van banden kan de banden beschadigen en ze een bron van gevaar laten worden.
- 12.2 Richt de hogedrukstraal nooit rechtstreeks op de band.
- 12.3 Gebruik de machine altijd met de laagste druk tijdens het reinigen in de buurt van wielen en banden.
- 12.4 Gebruik nooit de "Turbolans" voor het wassen van enig deel van de auto.
- 12.5 Lees, voor meer informatie, de sectie: "8.7 Tips voor een correcte wasbeurt".



EG-Conformiteitsverklaring

Hiermee verklaren wij, van Anнови Reverberi S.p.A., Modena, Italië dat de onderstaand vermelde machine(s) De Walt:

Benaming van de machine	Hogedrukreiniger			
Nr. model	DXPW 004 E	DXPW 005 E	DXPW 006 E	DXPW 007 E
Opgenomen vermogen	3 kW	5 kW	5 kW	7,4 kW

conform is (zijn) aan de volgende Europese richtlijnen:

2006/42/EG, 2014/35/EU, 2011/65/EU, 2015/863/EU, 2012/19/EU, 2014/30/EU, 2000/14/EG (Italiaans wetsbesluit 262/2002).

en gefabriceerd is (zijn) in overeenstemming met de volgende normen of de volgende standaarddocumenten :

EN 60335-1; EN 60335-2-79; EN 55014-1; EN 55014-2; EN 61000-3-2; EN 61000-3-3; EN 61000-3-11; EN 60704-1; EN 62233; EN IEC 63000

Naam en adres van de persoon belast met de afgifte van de technische documentatie: Stefano Reverberi / AR Algemeen directeur

Via ML King, 3 - 41122 Modena, Italië

De procedure ter beoordeling van de conformiteit vereist door richtlijn 2000/14/EG is uitgevoerd in navolging van Bijlage V

Nr. model	DXPW 004 E	DXPW 005 E	DXPW 006 E	DXPW 007 E
Gemeten geluidsvermogeniveau:	93,5 dB (A)	93,9 dB (A)	93,9 dB (A)	94,4 dB (A)
Gegarandeerd geluidsvermogeniveau:	96 dB (A)	96 dB (A)	96 dB (A)	97 dB (A)

Datum: 04.03.2022

MODENA (I)

Stefano Reverberi



Algemeen directeur

NL

Garantie

De geldigheid van de garantie wordt bepaald door het geldende normenstelsel van het land waarin het product wordt verhandeld (behoudens andere aanwijzingen van de fabrikant).

Bij defecten aan het product als gevolg van de kwaliteit van het materiaal, vanwege constructiefouten of een ontbrekende conformiteit tijdens de geldigheidsperiode van de garantie, garandeert de fabrikant de vervanging van de defecte onderdelen en zal hij, bij slijtage binnen de norm, zorg dragen voor de reparatie van de producten of de vervanging ervan.

De garantie is niet van toepassing op aan normale slijtage onderworpen componenten (klep, zuiger, pakking water, pakking olie, veren, O-ringen, accessoires als slang, pistool, borstels, wielen enz.);

De garantie is niet van toepassing op defecten veroorzaakt door, of als gevolg van:

- onjuist gebruik, niet toegestaan gebruik, nalatigheid,
- verhuur of professioneel gebruik, wanneer het product werd verkocht voor huishoudelijk gebruik,
- niet inachtneming van de onderhoudsnormen voorzien in de specifieke handleiding,
- reparaties uitgevoerd door niet geautoriseerde personen of centra,
- het gebruik van niet-originele vervangingsonderdelen of accessoires,
- schade veroorzaakt door het transport, door vreemde voorwerpen of substanties, door ongelukken,
- bergings- of opslagproblemen.

Voor de activering van de garantie moet een bewijs van aankoop worden getoond.

Wendt u zich voor assistentie, Pagina: 285.

Technische gegevens

Technische Gegevens	Eenheid	DXPW 004 E	DXPW 005 E	DXPW 006 E	DXPW 007 E
Debiet	l/min	10	13,5	15	14
Maximaal debiet	l/min	-	-	-	-
Druk	MPa	12	18	15	21
Maximumdruk	MPa	15	20	17	23
Vermogen	kW	3	5	5	7,4
Max. temperatuur voeding	°C	60	60	60	60
Maximale voedingsdruk	MPa	1	1	1	1
Afstotingskracht van het pistool bij de maximale druk	N	24,30	40,10	40,70	44,90
Type olie pomp	kg	-	-	-	-
Beschermingsklasse	-	II/⊕	II/⊕	II/⊕	II/⊕
Motorisolatie	Klasse	F	F	F	F
Motorbescherming	-	IPX5	IPX5	IPX5	IPX5
Spanning	V/Hz	230/50 1~	400/50 3~	400/50 3~	400/50 3~
Maximaal toegestane netimpedantie	Ω	-	-	-	-
Geluidsdruk niveau L_{pA} (EN 60704-1) (K = 2,5 dB(A))	dB (A)	82,1	82,5	82,5	83
Geluidsvermogen niveau L_{wA} (EN 60704-1) (K = 2,5 dB(A))	dB (A)	96	96	96	97
Trillingen van het apparaat (K = 1 m/s ²):	m/s ²	<2,5	<2,5	<2,5	<2,5
Gewicht	kg	38	40	40	64

Technische wijzigingen voorbehouden!

1 SIKKERHETSREGLER

1.1 Maskinen du har kjøpt er et høyteknologisk produkt fremstillet av en av Europas ledende produsenter av høytrykksvasker. For best mulig ytelse har vi sammenfattet disse linjene du bør lese nøye og følge ved bruk. Ta alle forholdsregler ved tilkobling, bruk og vedlikehold av maskinen for å beskytte deg selv og andre i nærheten mot skader. Les nøye og følg sikkerhetsforskriftene. Manglende overhold kan sette personers helse og sikkerhet i fare eller forårsake økonomiske skader.

2 INFORMASJONSANVISNINGER

2.1 Følganvisningene på skiltene og symbolene festet på maskinen, og i denne bruksanvisning. På maskinen og i bruksanvisningen finnes kun de symbolene som gjelder maskinen som er kjøpt. Kontroller at symbolene og skiltene festet på maskinen alltid er hele og leselige. Hvis ikke, må de skiftes ut og henges opp på samme plass.

 Advarsel - fare

 Les disse instruksjonene nøye før bruk.

 Ikon E2 (hvis symbolet finnes på fig. 1) - Viser at maskinen er til profesjonelt bruk, dvs. for personer med erfaring, teknisk kjennskap, kjennskap til standarder og lover, og som er i stand til å bruke maskinen og utføre det nødvendige vedlikeholdet. Maskinen skal ikke brukes av barn eller personer med nedsatte fysiske, sensoriske eller psykiske evner, eller av personer uten erfaring eller kjennskap til maskinen.

 Deler i bevegelse. Ikke berør.

0 Posisjon for bryter slått av

I Posisjon for bryter slått på

 Garantert lydeffektnivå

 Forbud: Varsler brukeren om at landets gjeldende regelverk kan forby tilkoblingen av maskinen til drikkevannsforsyningen.

 Fare: Varsler brukeren om at vannstrålen ikke skal rettes mot barn, dyr,



elektrisk utstyr eller selve maskinen.

 Maskinen er i isolasjonsklasse I. Det betyr at den har en jordleder (kun hvis symbolet finnes på maskinen).

 Maskinen er i samsvar med anvendbare europeiske direktiver.

 Ikon E1 - Viser påbudet om **ikke å avhende** høytrykksvaskeren som vanlig husholdningsavfall. Den kan leveres inn til forhandleren ved kjøp av en ny. Maskinens elektriske og elektroniske deler må ikke brukes om igjen til feil bruk, fordi de kan være helseskadelige.

 Bruk hørselsvern.

 Bruk vernemaske.

 Bruk åndedrettsvern.

 Bruk vernehansker.

 Bruk vernesko.

 Bruk verneklær.



3 SIKKERHETSFORSKRIFTER/RESTERENDE RISIKOER**3.1 ADVARSLER: SIKKERHETSMESSIGE "FORBUD"**

- 3.1.1 **ADVARSEL.** IKKE la barn bruke maskinen, og pass på at de ikke leker med maskinen.
- 3.1.2 **ADVARSEL.** Trykkstrålene kan være farlige ved feil bruk.
- 3.1.3 **ADVARSEL.** IKKE bruk maskinen med brannfarlige eller giftige væsker, eller andre produkter som ikke er egnet for en korrekt bruk av maskinen. Det er forbudt å bruke maskinen i brannfarlige eller eksplosjonsfarlige omgivelser.
- 3.1.4 **ADVARSEL.** FARE FOR EKSPLOSJON IKKE sprøyt brannfarlige væsker.
- 3.1.5 **ADVARSEL.** IKKE rett vannstrålen mot personer eller dyr.
- 3.1.6 **ADVARSEL.** IKKE rett vannstrålen mot maskinen, elektriske deler eller annet elektrisk utstyr.
- 3.1.7 **ADVARSEL.** IKKE bruk maskinen innenfor et arbeidsområde hvor det oppholder seg personer uten verneklær.
- 3.1.8 **ADVARSEL.** IKKE rett strålen mot deg selv eller andre for å rengjøre klær eller skotøy.
- 3.1.9 **ADVARSEL.** IKKE bruk maskinen utendørs når det regner.
- 3.1.10 **ADVARSEL.** Maskinen må IKKE brukes av barn, ukyndige personer eller personer som ikke har lest og forstått bruksanvisningen.
- 3.1.11 **ADVARSEL.** IKKE ta på støpslet og/eller stikkkontakten med våte hender.
- 3.1.12 **ADVARSEL.** IKKE bruk maskinen hvis strømledningen er ødelagt. Hvis strømledningen er ødelagt, må den enten skiftes ut av produsenten, et autorisert servicesenter eller kvalifisert personale for å unngå sikkerhetsfarer.
- 3.1.13 **ADVARSEL.** IKKE bruk maskinen hvis en strømkabel eller viktige deler som bl.a. sikkerhetsanordninger, høytrykkslanger eller sprøytetipstolen er skadet.
- 3.1.14 **ADVARSEL.** IKKE lås pistolhåndtaket i driftsposisjon.
- 3.1.15 **ADVARSEL.** Kontroller at maskinen har typeskilt. Kontakt leverandøren hvis det ikke er tilfelle. Maskiner uten typeskilt må IKKE brukes, fordi de kan ikke identifiseres og kan være farlige.
- 3.1.16 **ADVARSEL.** IKKE forsøk å endre sikkerhetsventilens og sikkerhetsanordningenes kalibrering på noen måte.
- 3.1.17 **ADVARSEL.** IKKE endre originaldiameteren til den justerbare sprøytedysen.
- 3.1.18 **ADVARSEL.** IKKE flytt maskinen ved å dra i STRØMLEDNINGEN.



- 3.1.19 ADVARSEL.** Unngå at kjøretøy kjører over høytrykksslangen.
- 3.1.20 ADVARSEL.** IKKE flytt maskinen ved å dra i høytrykksslangen.
- 3.1.21 ADVARSEL.** Hvis høytrykksstrålen rettes mot dekk, dekkventiler og andre trykksatte deler, utgjør den en potensiell fare. Unngå bruk av rotordysen, og hold alltid strålen på minst 30 cm avstand under vaskingen.
- 3.1.22 ADVARSEL.** Det er forbudt å bruke ikke originalt tilbehør eller tilbehør som ikke er spesifikt for modellen. Det er forbudt å utføre endringer på maskinen. Utføring av endringer fører til bortfall av samsvarserklæringen og fritar produsenten fra sivil- og strafferettslig ansvar.
- 3.2 ADVARSLER: SIKKERHETSMESSIGE "PÅBUD"**
- 3.2.1 ADVARSEL.** Alle strømførende deler MÅ BESKYTTES mot vannstrålen.
- 3.2.2 ADVARSEL.** Den elektriske tilkoblingen må utføres av en fagkyndig elektriker i samsvar med standard IEC 60364-1. Det anbefales å installere en jordfeilbryter som avbryter strømforsyningen til maskinen hvis lekkasjestrømmen til jord overstiger 30 mA for 30 ms, eller en kontrollanordning for jordkretsen.
- 3.2.3 ADVARSEL.** UNDER start kan maskinen forårsake nettforstyrrelser.
- 3.2.4 ADVARSEL.** Bruk av jordfeilbryter betyr økt sikkerhet for brukeren (30 mA).
- 3.2.5 ADVARSEL.** For modellene uten støpsel må installasjonen utføres av kvalifisert personale.
- 3.2.6 ADVARSEL.** Bruk kun godkjente skjøteledninger med et egnet tverrsnitt.
- 3.2.7 ADVARSEL.** Koble alltid fra hovedbryteren når maskinen forlates uten tilsyn.
- 3.2.8**      
ADVARSEL. Det høye trykket kan føre til at deler slynges ut. Bruk personlig verneutstyr.
- 3.2.9 ADVARSEL.** TREKK UT støpslet før det utføres arbeid på maskinen.
- 3.2.10 ADVARSEL.** Før du trykker inn pistolhåndtaket må du holde GODT FAST i sprøytepistolen for å fange opp rekylen.
- 3.2.11 ADVARSEL.** FØLG vannverkets forskrifter. I henhold til IEC 60335-2-79 kan maskinen kun kobles til drikkevannsforsyningen hvis vanntilførselen til maskinen er utstyrt med tilbakestrømningsbeskyttelse av typen BA i samsvar med standard EN 12729. Tilbakestrømningsbeskyttelsen kan bestilles hos produsenten.
- 3.2.12 ADVARSEL.** Vann som renner inn i tilbakestrømningsbeskyttelsene klassifiseres ikke som drikkevann.



- 3.2.13 ADVARSEL.** Vedlikehold og/eller reparasjoner av elektriske komponenter MÅ utføres av kvalifisert personale.
- 3.2.14 ADVARSEL.** SLIPP UT resttrykket før slangen kobles fra maskinen.
- 3.2.15 ADVARSEL.** KONTROLLER før hver bruk og jevnlig at skruene er strammet skikkelig og at ingen av delene er slitte eller defekte.
- 3.2.16 ADVARSEL.** BRUK utelukkende vaskemidler som ikke kan forårsake korrosjon på dekklaget til høytrykksslangen/strømledningen.
- 3.2.17 ADVARSEL.** HOLD personer og dyr på minst 15 meters avstand.
- 3.2.18 ADVARSEL.** Denne maskinen skal brukes med vaskemidler som leveres eller anbefales av produsenten. Hvis du bruker andre vaskemidler eller kjemiske produkter, kan det virke negativt inn på maskinens sikkerhet.
- 3.2.19 ADVARSEL.** Unngå at vaskemidlet kommer i kontakt med huden, og spesielt øynene! Ved kontakt med øynene, skyl med rent vann og kontakt lege umiddelbart!
- 3.2.20 ADVARSEL.** Høytrykksslangene, slangekoblingene og leddene er viktige elementer for sikker drift av maskinen. Bruk kun høytrykksslanger, slangekoblinger og ledd som anbefales av produsenten.
- 3.2.21 ADVARSEL.** For å kunne garantere sikker drift av maskinen må du kun bruke originale reservedeler fra produsenten eller godkjente av produsenten.
- 3.2.22 ADVARSEL.** Hvis det brukes en skjøteledning, må støpselet og stikkontakten være av vanntett konstruksjon.
- 3.2.23 ADVARSEL.** Uegnede skjøteledninger kan være farlige. Ved bruk av skjøteledning, velg en som er egnet til utendørsbruk, og pass på at tilkoblingen holdes tørr og over bakkenivå. Det anbefales å bruke en kabeltrommel, som blir liggende minst 60 mm over bakknivå.
- 3.2.24 ADVARSEL.** Slå av maskinen og koble den fra strømmen før montering, rengjøring, justering, vedlikehold, oppbevaring og transport.
- 3.2.25 ADVARSEL.** Sett rengjøringssettet for rørledninger inn til det røde merket før maskinen slås på.



4 GENERELL INFORMASJON (FIG. 1)/SIDE 3**4.1 Hvordan bruke bruksanvisningen**

Bruksanvisningen er en viktig del av maskinen. Ta vare på den for senere bruk. Les bruksanvisningen grundig før installasjon og bruk. Hvis du selger høytrykkvaskeren, må bruksanvisningen overlates til den nye eieren.

4.2 Levering

Maskinen leveres delvis demontert inni en kartongemballasje. Sammensetningen av levering er vist på fig. 1.

4.2.1 Vedlagt dokumentasjon

- A1** Bruks- og vedlikeholdsanvisning
- A2** Sikkerhetsregler
- A3** Samsvarserklæring
- A4** Garantiregler

4.3 Kassing av emballasjen

Emballasjen er fremstillet i miljøvennlige materialer. Uansett må de resirkuleres eller avhendes i samsvar med gjeldende regelverk.

5 TEKNISK INFORMASJON (FIG. 1)/SIDE 3**5.1 Beregnet bruk**

Maskinen er beregnet til hjemmebruk for rengjøring av kjøretøy, maskiner, båter, bygninger osv. Hardnakket skitt fjernes ved bruk av rent vann og biologisk nedbrytbare kjemiske vaskemidler. Rengjøring av motorer i kjøretøy er kun tillatt dersom det skitne vannet kasseres i overensstemmelse med gjeldende lover.

- Vannets matetemperatur: **Se maskinens typeskilt.**

- Vannets matetrykk: **min. 0,1 MPa - maks 1 MPa.**

- Omgivelsestemperatur ved drift: **Over 0 °C.**

Maskinen er i samsvar med standard IEC 60335-1 og IEC 60335-2-79.

5.2 Bruker

Ikonet på fig. 1 viser hvilken bruker som kan bruke maskinen (profesjonell eller ikke profesjonell).

5.3 Hoveddeler

- B2** Lanse
- B3** Sprøytepipistol med sikring
- B4** Strømledning med støpsel (avhengig av modell)
- B5** Høytrykksslange
- B6** Vaskemiddelboks (avhengig av modell)
- B7** Oljelokk (avhengig av modell)
- E** Sprøytedyse
- F** Vaskemiddelregulator (avhengig av modell)
- G** Trykkregulator (avhengig av modell)
- H** Oppstartsanordning
- L** Vannfilter

5.3.1 Tilbehør (hvis følger med leveringen - se fig. 1)

- | | |
|---|-------------------------------|
| C1 Verktøy for rengjøring av sprøytedyse | C9 Adapter |
| C2 Rotordyse | C10 Skruer og bolter |
| C3 Håndtak | C11 Veggekonsoll |
| C4 Børste | C12 Spak |
| C5 Slangetrommel | C13 Vaskemiddelsett |
| C6 Vannsugesett | C14 Hjul |
| C7 Rengjøringssett for rørledninger | C15 Tube med smørefett |
| C8 Børstesett for store overflater | C16 Manometeret |
| | C17 Adapter |

5.4 Sikkerhetsanordninger

- Oppstartsanordning (H)

Oppstartsanordningen hindrer en utilsiktet bruk av maskinen.

⚠ Advarsel - fare!
Ikke forsøk å endre sikkerhetsventilens kalibrering på noen måte.

- Sikkerhets- og/eller trykkbegrensningsventil.
Sikkerhetsventilen fungerer også som trykkbegrensningsventil. Når pistolhåndtaket slippes, åpnes sikkerhetsventilen og vannet resirkulerer enten gjennom pumpeinnløpet eller renner ut på bakken.

- Termostatventil (D1 hvis finnes)

Hvis vanntemperaturen overstiger produsentens fastsatte temperatur, tømmer termostatventilen ut det varme vannet og suger inn tilsvarende mengde kaldt vann for å gjenopprette riktig temperatur.

- Sikring (D): Unngår tilfeldig vannstråle.

- Varmervern: Stopper maskinen ved overbelastning.

6 INSTALLASJON (FIG. 2)/SIDE 4**6.1 Montering**

⚠ Advarsel - fare!
Maskinen må være koblet fra strømmen ved installasjon og montering.

For monteringssekvensen se fig. 2.

6.2 Montering av luftlokkene (avhengig av modell)

For å unngå oljelekkasje leveres maskinen med oljepåfyllingsåpningene lukket med røde lokk. Disse må skiftes ut med luftlokkene som følger med.

6.3 Montering av rotordysen

(for modellene som er utstyrt med dette)

Med rotordysen oppnås en enda mer effektiv vasking.

Bruk av rotordysen kan føre til et trykkfall på 25 % i forhold til trykket som oppnås med den justerbare sprøytedysen. Bruk av rotordysen gir allikevel en større vaskkraft pga. vannstrålenes roterende effekt.

6.4 Elektrisk tilkobling

⚠ Advarsel - fare!

Kontroller at nettspenningen og -frekvensen (V/Hz) stemmer overens med det som er oppgitt på typeskiltet (fig. 2).

6.4.1 Ved bruk av skjøteledninger

Skjøteledningene og støpslene må ha en kapslingsgrad på IPX5.

Tverrsnittet til skjøteledning som brukes må være proporsjonalt med lengden, det vil si at jo lenger skjøteledning er, jo større må tverrsnittet være. Se tabell I.

6.5 Vanntilkobling

⚠ Advarsel - fare!

Ta inn kun filtrert eller rent vann. Vanntilførselen må som et minimum være tilsvarende pumpeavgitte vannmengde.

Plasser maskinen så nær vanntilførselen som mulig.

6.5.1 Tilkoblingsåpninger

- Vannutløp (OUTLET)
- Vanninnløp med filter (INLET)

6.5.2 Tilkobling til det lokale vannverket

Maskinen kan bare kobles til drikkevannsforsyningen hvis vanntilførselen til maskinen er utstyrt med tilbakestrykningsbeskyttelse med tømningmulighet i samsvar med gjeldende bestemmelser. Pass på at slangen har en diameter på minst 13 mm, er forsterket og er maks 25 m lang.

6.5.3 Innsuging av vann fra åpne beholdere

1) Fest sugeslangen med filteret til vanninnløpet (INLET) og senk den helt ned på bunnen av beholderen.

2) Slipp ut luften i maskinen:

a) Løsne lansen.

b) Start maskinen og åpne pistolhåndtaket helt det renner ut vann uten luftbobler.

3) Slå av maskinen og stram til lansen igjen.

Merk: Maks sugehøyde er 0,5 m. Det anbefales å fylle sugeslangen før bruk.

7 JUSTERINGER (FIG. 3)/SIDE 5

- 7.1 Justering av sprøytedyesen** (avhengig av modell)
Drei på sprøytedyesen (E) for å justere vannstrålen.
- 7.2 Justering av vaskemiddeltilførselen**
For tilføring av vaskemiddelet med riktig trykk må sprøytedyesen (E) (avhengig av modell) dreies til pos. "A", eller vaskemiddelsettet (C13) (avhengig av modell) monteres som vist på figuren.
Drei på regulatoren (F) for dosering av vaskemiddelmengden som skal tilføres (avhengig av modell).
- 7.3 Justering av driftstrykket** (avhengig av modell)
Drei på regulatoren (G) for å endre driftstrykket. Trykket vises på manometeret (hvis finnes).

8 INFORMASJON OM BRUK (FIG. 4)/SIDE 5**8.1 Kontroller**

- Oppstartsanordning (H).
- Drei oppstartsanordningen til pos. (1 ON) for å starte motoren (for modeller uten TSS-utstyr)
- b) klargjøre motoren for start (for modeller med TSS-utstyr). Hvis oppstartsanordningen har en kontrollampe, må denne tennes. Drei oppstartsanordningen til pos. (0 OFF) for å stanse maskinen. Hvis oppstartsanordningen har en kontrollampe, må denne slukkes.
- Kontrollspak for vannstrålen (I).

**Advarsel - fare!**

Maskinen må stå på et sikkert, stabilt underlag når den brukes, og i den stillingen som er vist på fig. 4.

8.2 Start (fig. 4)

- 1) Åpne vannkranen helt.
- 2) Frigjør sikringen (D).
- 3) Trykk inn pistolhåndtaket noen sekunder og start maskinen med oppstartsanordningen (1 ON).

**Advarsel - fare!**

Kontroller før start at maskinen forsynes med vann på riktig måte. Tørrgang skader maskinen. Ikke dekk til ventilasjonsrillene under bruk.

TSS-modeller - For TSS-modeller med automatisk avbrytelse av forsyningen:

- Når pistolhåndtaket **slippes**, vil det dynamiske trykket automatisk stoppe den elektriske motoren.
- Når pistolhåndtaket **trykkes inn**, synker trykket automatisk, den elektriske motoren startes og trykket gjenopprettes med en ubetydelig forsinkelse.
- For en korrekt bruk av må ikke pistolhåndtaket **slippes og trykkes inn på mindre enn 4-5 sekunder**.

Ikke bruk maskinen på tørrgang, fordi den kan skades. Kontroll at maskinen alltid er riktig forsynt med vann.

For å unngå å påføre maskinen skader som skyldes temperaturokninger, må ikke vannstrålen avbrytes i mer enn 5 minutter (for modeller uten TSS-utstyr).

8.3 Stopp

- 1) Drei oppstartsanordningen til pos. (0 OFF).
- 2) Trykk inn pistolhåndtaket for å slippe ut luften i rørdledningene.
- 3) Sett på sikringen (D).

8.4 Oppstart igjen

- 1) Frigjør sikringen (D).
- 2) Trykk inn pistolhåndtaket for å slippe ut luften i rørdledningene.
- 3) Drei oppstartsanordningen til pos. (ON/I).

8.5 Oppbevaring

- 1) Lukk vannkranen.
- 2) Slipp ut resttrykket ved å trykke inn pistolhåndtaket helt til det ikke renner vann ut av maskinen.
- 3) Slå av maskinen (0 OFF).
- 4) Trekk stoppslet ut av stikkkontakten.
- 5) Tøm og vask vaskemiddeltanken etter bruk. Vask tanken med rent vann uten bruk av vaskemiddel.

6) Sett på sikringen (D) for sprøytepistolen.

8.6 Fylling og bruk av vaskemiddel

Vaskemidlet må tilføres med tilbehøret og som forklart i punkt 7.3.

Bruk av en lenger høytrykkslange enn den som følger med maskinen, eller en ekstra forlengerslange, kan føre til at innsugingen av vaskemiddelet fra tanken (avhengig av modell) reduseres eller avbrytes helt.

Fyll opp tanken (B6) med høyt biologisk nedbrytbart vaskemiddel.

8.7 Råd for korrekt vasking

Løs opp skitt ved å påføre vaskemiddelet på den tørre overflaten. På vertikale flater begynner du nederst og jobber deg oppover. La vaskemidlet virke i 1-2 minutter, men overflaten må ikke tørke. Bruk høytrykksstrålen minst 30 cm fra overflaten og arbeid nedenfra og opp. Unngå at skyllevannet renner på flater som ennå ikke er vasket. I noen tilfeller kan det være nødvendig å bruke vaskeborster for å fjerne skitten.

Bruk av høyt trykk er ikke alltid den beste løsningen for et godt vaskeresultat ettersom noen flater kan bli ødelagt. Unngå å bruke den justerbare sprøytedysens rette stråle og rotordysen på skånsomme og lakkerte deler samt trykksatte deler (f.eks. dekk, dekkventiler, osv.).

En god vaskeeffekt avhenger i like stor grad av vanntrykket som vannmengden.

9 JUSTERINGER (FIG. 5)/SIDE 6

Alle vedlikeholdsinngrep som ikke beskrives i dette kapittelet skal utføres ved et autorisert servicecenter.

**Advarsel - fare!**

Trekk stoppslet ut av stikkkontakten før vedlikehold av maskinen.

9.1 Rengjøring av sprøytedyesen

- 1) Ta lansen av sprøytepistolen.
- 2) Fjern skitt fra åpningen i sprøytedyesen med verktøyet (C1).

9.2 Rengjøring av filteret

Kontroller sugefilteret (L) og vaskemiddelfilteret (avhengig av modell) før hver bruk, og rengjør som beskrevet ved behov.

9.3 Frigjøring av motoren (avhengig av modell)

Hvis høytrykksvaskeren ikke brukes på lang tid, kan kalkavsetninger føre til blokkering av motoren. Drei motorakselen med et verktøy (M) for å frigjøre motoren.

9.4 Fylling av olje (avhengig av modell)

Fyll på olje gjennom påfyllingshullet for å gjenopprette riktig nivå. Se oljens egenskaper i tabellen Tekniske data. Oljen bør skiftes ut hver 500. driftstime.

9.5 Oppbevaring

Kjør maskinen med en ikke-korroderende og giftfri frostvæske før den settes bort for vinteren.

Oppbevar maskinen på et tørt og frostsikkert sted.

10 OPPBEVARING OG TRANSPORT (FIG. 5)/SIDE 6

Lagre tilbehøret som vist på fig. 5.

Transporter maskinen som vist på fig. 5.

12 HVORDAN UNNGÅ Å SKADE FLATENE**ADVARSEL**

- 12.1 Bruk av maskinen til vasking av dekk kan skade dekkene og være farlig.
 12.2 Ikke rett høytrykksvannstrålen direkte mot dekket.
 12.3 Bruk alltid maskinen med laveste trykk ved vasking i nærheten av hjul og dekk.
 12.4 Bruk aldri turbolansen til vasking av kjøretøy.
 12.5 For mer informasjon les avsnittet: "8.7 Råd for korrekt vasking".

**EF-samsvarserklæring**

Annovi Reverberi S.p.A., Modena, Italia, erklærer at følgende De Walt maskin/er:

Maskinbenevnelse	Høytrykksvasker			
Modellnr.	DXPW 004 E	DXPW 005 E	DXPW 006 E	DXPW 007 E
Effektforbruk	3 kW	5 kW	5 kW	7,4 kW

er i samsvar med følgende europeiske direktiver:

2006/42/EF, 2014/35/EU, 2011/65/EU, 2015/863/EU, 2012/19/EU, 2014/30/EU, 2000/14/EF (Ita. Lovdekret 262/2002).

og er produsert i samsvar med følgende standarder eller standardiserte dokumenter:

EN 60335-1; EN 60335-2-79; EN 55014-1; EN 55014-2; EN 61000-3-2; EN 61000-3-3; EN 61000-3-11; EN 60704-1; EN 62233; EN IEC 63000

Navn og adresse på den personen som har fullmakt til å utferdige den tekniske dokumentasjonen: Stefano Reverberi / AR Daglig leder

Via M.L. King 3 - 41122 Modena, Italia

I henhold til direktiv 2000/14/EF har prosedyren for samsvarsvurderingen blitt utført i samsvar med Vedlegg V

Modellnr.	DXPW 004 E	DXPW 005 E	DXPW 006 E	DXPW 007 E
Målt lydeffektnivå:	93,5 dB (A)	93,9 dB (A)	93,9 dB (A)	94,4 dB (A)
Garantert lydeffektnivå:	96 dB (A)	96 dB (A)	96 dB (A)	97 dB (A)

Dato: 04.03.2022

MODENA (I)

Stefano Reverberi


Daglig leder

NO

Garanti

Garantiens gyldighet følger gjeldende lover i landet hvor produktet selges (hvis ikke annet er oppgitt av produsenten).

Dersom produktet er mangelfullt på grunn av material- eller konstruksjonsfeil eller manglende overensstemmelse med kravene, vil produsenten, i garantiperioden, skifte ut defekte deler eller reparere/skifte ut rimelig slitte deler.

Garantien dekker ikke slitasjutsatte deler (ventil, stempel, vannledning, oljetetning, fjærer, O-ringer, tilbehør som slange, sprøytepipist, børster, hjul, osv.).

Garantien dekker ikke feil forårsaket av eller som resultat av:

- feil bruk, ikke tillatt bruk, skjødesløshet,
- utleie eller profesjonell bruk når produktet er solgt til hjemmebruk
- manglende overhold av vedlikeholdsforskriftene i bruksanvisningen,
- reparasjoner utført av uautorisert personale eller uautoriserte servicesenter,
- bruk av ikke originale reservedeler eller tilbehør,
- skader forårsaket av transporten, av fremmedlegemer eller ukjente stoffer, ulykker,
- problemer vedrørende lagring eller oppbevaring.

For en gyldig garanti må det fremvises kvittering.

For service, Side: 285.

Tekniske data

Tekniske data	Unit	DXPW 004 E	DXPW 005 E	DXPW 006 E	DXPW 007 E
Kapasitet	l/min	10	13,5	15	14
Maks kapasitet	l/min	-	-	-	-
Trykk	MPa	12	18	15	21
Maks. trykk	MPa	15	20	17	23
Effekt	kW	3	5	5	7,4
Maks. matetemperatur	°C	60	60	60	60
Maks. matetrykk	MPa	1	1	1	1
Sprøytepestolens rekyl ved maks. trykk	N	24,30	40,10	40,70	44,90
Olje for pumpe	kg	-	-	-	-
Beskyttelsesklasse	-	II/⊕	II/⊕	II/⊕	II/⊕
Motorisolering	Classe	F	F	F	F
Motorbeskyttelse	-	IPX5	IPX5	IPX5	IPX5
Spenning	V/Hz	230/50 1~	400/50 3~	400/50 3~	400/50 3~
Maks tillatt nettimpedans	Ω	-	-	-	-
Lydtryknivå L_{pA} (EN 60704-1) (K = 2,5 dB(A))	dB (A)	82,1	82,5	82,5	83
Lydeffektnivå L_{WA} (EN 60704-1) (K = 2,5 dB(A))	dB (A)	96	96	96	97
Maskinens vibrasjoner (K = 1 m/s ²):	m/s ²	<2,5	<2,5	<2,5	<2,5
Vekt	kg	38	40	40	64

Med forbehold om tekniske endringer!

1 INSTRUKCJE BEZPIECZEŃSTWA

- 1.1** Zakupione urządzenie jest zaawansowanym technologicznie produktem zaprojektowanym przez jednego z wiodących europejskich producentów myjek ciśnieniowych. Aby zapewnić najwyższą skuteczność działania urządzenia, dokładnie przeczytaj niniejszą instrukcję i przestrzegaj zawartych w niej zaleceń przy każdym użyciu urządzenia. Podczas użytkowania i konserwacji urządzenia oraz podłączania jego elementów należy zachować wszelkie możliwe środki ostrożności zapewniające bezpieczeństwo własne, jak i osób znajdujących się w bezpośrednim otoczeniu urządzenia. Należy dokładnie zapoznać się ze wszystkimi zasadami bezpieczeństwa i bezwzględnie ich przestrzegać. Niezastosowanie się do zaleceń może być przyczyną urazów lub poważnego uszkodzenia sprzętu.

2 OZNACZENIA BEZPIECZEŃSTWA

- 2.1** Przestrzegaj zaleceń wyróżnionych oznaczeniami i symbolami bezpieczeństwa zawartych w instrukcji i umieszczonych na urządzeniu.

W instrukcji oraz na urządzeniu znajdują się tylko symbole dotyczące zakupionego modelu urządzenia. Upewnij się, że symbole i znaki przymocowane do urządzenia są zawsze dostępne i czytelne. W innym wypadku umieść symbole zastępcze w pierwotnym położeniu.

 Ostrzeżenie - Przestroga - Niebezpieczeństwo

  Przed użyciem należy uważnie przeczytać niniejszą instrukcję obsługi.

 Symbol E2 (o ile pojawi się w instrukcji) oznacza, że urządzenie jest przeznaczone do użytku profesjonalnego, stworzone z myślą o doświadczonych użytkownikach dysponujących wiedzą techniczną i prawną oraz zdolnych do wykonywania czynności związanych z obsługą i konserwacją urządzenia. Urządzenie nie nadaje się do użytkowania przez dzieci oraz osoby o obniżonych możliwościach fizycznych, sensorycznych i umysłowych, a także przez osoby bez niezbędnego doświadczenia i wiedzy.

 Ruchome części. Nie dotykać.

0 Przełącznik w pozycji wyłączonej

I Przełącznik w pozycji włączonej

 Gwarantowany poziom mocy akustycznej



 Znak zakazu informujący użytkowników o tym, że lokalne przepisy prawne mogą zabraniać podłączania produktu do sieci wodociągowej.



Znak niebezpieczeństwa ostrzegający użytkowników o tym, że nie wolno kierować strumienia wody na ludzi, sprzęt elektryczny lub na samo urządzenie.

 Ten produkt jest oznaczony I klasą izolacji. Oznacza to, że jest wyposażony w przewód uziemiający (dotyczy tylko urządzeń, na których znajduje się ten symbol).

 Niniejszy produkt jest zgodny z wymaganiami stosownych dyrektyw europejskich.



Symbol E1 oznacza, że urządzenie **nie może być utylizowane** wraz z odpadami komunalnymi. Można przekazać je dystrybutorowi przy zakupie nowego urządzenia. Części elektryczne i elektroniczne urządzenia nie nadają się do ponownego użycia lub innych niewłaściwych form użytkowania ze względu na zawartość substancji groźnych dla zdrowia.

 Stosuj ochronę słuchu.

 Stosuj maskę ochronną.

 Stosuj środki ochrony dróg oddechowych.

 Stosuj rękawice ochronne.

 Stosuj obuwie ochronne.

 Stosuj odzież ochronną.



3 ZASADY BEZPIECZEŃSTWA/RYZYKO RESZTKOWE

3.1 ZAKAZY BEZPIECZEŃSTWA

- 3.1.1 OSTRZEŻENIE.** NIE WOLNO pozwalać dzieciom używać urządzenia. Nie pozostawiaj dzieci bez opieki, aby mieć pewność, że nie bawią się urządzeniem.
- 3.1.2 OSTRZEŻENIE.** Niewłaściwie użytkowane myjki ciśnieniowe mogą być niebezpieczne.
- 3.1.3 OSTRZEŻENIE.** NIE WOLNO używać urządzenia wraz z cieczami palnymi i toksycznymi ani innymi produktami niedostosowanymi do poprawnego sposobu użytkowania urządzenia. Wykorzystywanie urządzenia w obszarze zagrożonym pożarem lub wybuchem jest zabronione.
- 3.1.4 OSTRZEŻENIE. RYZYKO WYBUCHU.** NIE WOLNO stosować urządzenia do rozpylania cieczy łatwopalnych.
- 3.1.5 OSTRZEŻENIE.** NIE WOLNO kierować strumienia wody na ludzi i zwierzęta.
- 3.1.6 OSTRZEŻENIE.** NIE WOLNO kierować strumienia wody na samo urządzenie, części elektryczne oraz sprzęt elektryczny.
- 3.1.7 OSTRZEŻENIE.** NIE WOLNO korzystać z urządzenia, jeśli w zasięgu jego działania znajdują się inne osoby, chyba że mają one na sobie ubiór ochronny.
- 3.1.8 OSTRZEŻENIE.** NIE WOLNO kierować strumienia na siebie lub inne osoby w celu wyczyszczenia odzieży lub obuwia.
- 3.1.9 OSTRZEŻENIE.** NIE WOLNO używać urządzenia na wolnym powietrzu w czasie deszczu.
- 3.1.10 OSTRZEŻENIE.** NIE WOLNO pozwalać używać urządzenia dzieciom, osobom niekompetentnym lub osobom, które nie przeczytały instrukcji obsługi lub nie zrozumiały jej.
- 3.1.11 OSTRZEŻENIE.** NIE WOLNO dotykać wtyczki i/lub gniazda elektrycznego mokrymi dłońmi.
- 3.1.12 OSTRZEŻENIE.** NIE wolno używać urządzenia, jeśli przewód elektryczny jest uszkodzony. Uszkodzony przewód elektryczny musi zostać wymieniony przez producenta, pracowników jednego z autoryzowanych centrów serwisowych lub osobę dysponującą podobnymi kwalifikacjami, aby uniknąć zagrożenia bezpieczeństwa.
- 3.1.13 OSTRZEŻENIE.** NIE WOLNO UŻYWAĆ URZĄDZENIA jeżeli przewód zasilający lub inne istotne części takie jak elementy zabezpieczające, węże wysokiego ciśnienia lub pistolety są uszkodzone.
- 3.1.14 OSTRZEŻENIE.** NIE WOLNO blokować spustu w położeniu roboczym.



- 3.1.15 OSTRZEŻENIE.** Należy upewnić się, że tabliczka znamionowa jest przymocowana do urządzenia. W przeciwnym razie należy poinformować dystrybutora. **NIE WOLNO** używać urządzeń bez tabliczki znamionowej, ponieważ nie będzie można ich zidentyfikować, co jest potencjalnie niebezpieczne.
- 3.1.16 OSTRZEŻENIE.** **NIE WOLNO** manipulować ustawieniami zaworu bezpieczeństwa ani pozostałych zabezpieczeń.
- 3.1.17 OSTRZEŻENIE.** **NIE WOLNO** modyfikować pierwotnej średnicy otworu głowicy dyszy spryskującej.
- 3.1.18 OSTRZEŻENIE.** **NIE WOLNO** przemieszczać urządzenia, ciągnąc za **PRZEWÓD ELEKTRYCZNY**.
- 3.1.19 OSTRZEŻENIE.** Nie wolno dopuszczać do przejeżdżania pojazdów po węźu wysokociśnieniowym.
- 3.1.20 OSTRZEŻENIE.** **NIE WOLNO** przemieszczać urządzenia, ciągnąc za wąż wysokiego ciśnienia.
- 3.1.21 OSTRZEŻENIE.** Dysza wysokiego ciśnienia może być szczególnie niebezpieczna po skierowaniu jej w stronę opon, zaworów powietrza w oponach lub innych urządzeń pod ciśnieniem. Nie należy korzystać z zestawu obrotowych dysz oraz należy pilnować, aby podczas czyszczenia zawsze trzymać dyszę w odległości co najmniej 30 cm od powierzchni.
- 3.1.22 OSTRZEŻENIE.** Stosowanie nieoryginalnych akcesoriów i części zamiennych nieprzewidzianych specjalnie do tego modelu maszyny jest zabronione. Wszelkiego rodzaju modyfikacje urządzenia są zabronione. Każda modyfikacja unieważnia Deklarację zgodności i zwalania producenta z odpowiedzialności cywilnej i karnej.

3.2 NAKAZY BEZPIECZEŃSTWA

- 3.2.1 OSTRZEŻENIE.** Wszystkie przewody elektryczne **MUSZĄ BYĆ CHRONIONE** przed strumieniem wody pod ciśnieniem.
- 3.2.2 OSTRZEŻENIE.** Połączenie ze źródłem zasilania musi być wykonane przez wykwalifikowanego elektryka i zgodne z normą IEC 60364-1. Należy zastosować wyłącznik różnicowo-prądowy, który odetnie zasilanie w przypadku, gdy upływ prądu do uziemienia przekroczy 30 mA na czas 30 ms lub zabezpieczenie ziemnozwarciowe.
- 3.2.3 OSTRZEŻENIE.** **PODCZAS** uruchomienia urządzenie może wywołać zakłócenia sieciowe.



- 3.2.4 OSTRZEŻENIE.** Zastosowanie wyłącznika różnicowo-prądowego (RCB) stanowi dodatkową ochronę operatora (30 mA).
- 3.2.5 OSTRZEŻENIE.** Modele dostarczane bez wtyczki muszą być montowane przez wykwalifikowany personel.
- 3.2.6 OSTRZEŻENIE.** Należy korzystać wyłącznie z atestowanych przedłużaczy elektrycznych o odpowiednim przekroju przewodu.
- 3.2.7 OSTRZEŻENIE.** Przed pozostawieniem urządzenia bez dozoru należy każdorazowo wyłączać je wyłącznikiem głównym.
- 3.2.8**      
OSTRZEŻENIE. Wysokie ciśnienie może spowodować odbijanie się części. Należy korzystać z kompletnego zestawu odzieży ochronnej (PPE) i sprzętu niezbędnego do zachowania bezpieczeństwa operatora.
- 3.2.9 OSTRZEŻENIE.** Przed rozpoczęciem pracy przy urządzeniu USUŃ wtyk z gniazda.
- 3.2.10 OSTRZEŻENIE.** Przed wciśnięciem spustu CHWYĆ mocno pistolet, aby zapobiec odrzutowi.
- 3.2.11 OSTRZEŻENIE.** PRZESTRZEGAJ lokalnych przepisów związanych z dostarczaniem wody. Zgodnie z normą IEC 60335-2-79 urządzenie może być podłączane do sieci wodociągowej tylko wtedy, gdy wąż jest wyposażony w przerywacz próżni ze spustem zgodnym z wymogami normy EN 12729, typ BA. Przerwywacz próżni można zamówić u producenta.
- 3.2.12 OSTRZEŻENIE.** Woda przechodząca przez przerywacz próżni nie nadaje się do picia.
- 3.2.13 OSTRZEŻENIE.** Konserwacja i/lub naprawa urządzeń elektrycznych MUSI być wykonywana przez wykwalifikowany personel.
- 3.2.14 OSTRZEŻENIE.** USUŃ ciśnienie resztkowe przed odłączeniem węża od urządzenia.
- 3.2.15 OSTRZEŻENIE.** SPRAWDZAJ przed każdym użyciem i okresowo, czy wszystkie śruby są właściwie dokręcone, a części urządzenia nie są uszkodzone ani zużyte.
- 3.2.16 OSTRZEŻENIE.** STOSUJ WYŁĄCZNIE detergenty, które nie są żrące dla materiałów powierzchniowych węża wysokociśnieniowego i przewodu elektrycznego.
- 3.2.17 OSTRZEŻENIE.** UPEWNIJ SIĘ, że wszystkie osoby i zwierzęta znajdują się w minimalnej odległości 15 metrów.



- 3.2.18 OSTRZEŻENIE.** Ze względów konstrukcyjnych z urządzeniem należy stosować odpowiednie detergenty, dostarczone lub zalecane przez producenta. W przypadku korzystania z innych detergentów lub środków chemicznych poziom bezpieczeństwa urządzenia może ulec obniżeniu.
- 3.2.19 OSTRZEŻENIE.** Nie dopuszczaj do kontaktu detergentu ze skórą, a szczególnie z oczami! W przypadku kontaktu z oczami wypłucz oczy dużą ilością wody i niezwłocznie uzyskaj pomoc medyczną!
- 3.2.20 OSTRZEŻENIE.** Węże wysokociśnieniowe, elementy instalacyjne oraz złącza mają największy wpływ na bezpieczeństwo korzystania z urządzenia. Należy korzystać z węży, elementów instalacyjnych i złączy zalecanych przez producenta.
- 3.2.21 OSTRZEŻENIE.** Aby utrzymać bezpieczeństwo korzystania z urządzenia, należy stosować wyłącznie oryginalne części producenta lub inne części, które są przez niego zalecane.
- 3.2.22 OSTRZEŻENIE.** Jeżeli używany jest przedłużacz, wtyczka i gniazdko muszą być wodoszczelne.
- 3.2.23 OSTRZEŻENIE.** Nieodpowiednie przedłużacze mogą być niebezpieczne. Wykorzystywane przedłużacze muszą być przeznaczone do użytku na wolnym powietrzu, a złącza muszą być zawsze suche i nie znajdować się na podłożu. Zaleca się zastosowanie wytrzymałego bębna kablowego, który utrzymuje wtyk co najmniej 60 mm nad ziemią.
- 3.2.24 OSTRZEŻENIE.** Wyłącz urządzenie i odłącz je od źródła zasilania przed montażem, czyszczeniem, regulacją, konserwacją, przechowywaniem i transportem.
- 3.2.25 OSTRZEŻENIE.** Przed włączeniem urządzenia wsuń zestaw z dyszą rurową aż po czerwone oznaczenie.



4 INFORMACJE OGÓLNE (RYS. 1)/STRONA 3**4.1 Korzystanie z instrukcji**

Niniejsza instrukcja obsługi jest integralną częścią urządzenia i powinna zostać zachowana na przyszłość. Należy wnikliwie zapoznać się z nią przed montażem i użytkowaniem urządzenia. Przy sprzedaży osoba sprzedająca musi przekazać instrukcję nowemu właścicielowi wraz z urządzeniem.

4.2 Dostawa

Urządzenie jest dostarczane częściowo zmontowane w kartonowym opakowaniu.

Opakowanie przedstawiono na rys. 1.

4.2.1 Dokumentacja dostarczana z urządzeniem

- A1** Instrukcja obsługi i konserwacji
- A2** Instrukcje bezpieczeństwa
- A3** Deklaracja zgodności
- A4** Warunki gwarancji

4.3 Usuwanie opakowania

Materiały opakowaniowe nie stanowią zagrożenia dla środowiska, ale muszą być poddawane ponownemu przetworzeniu lub usunąć zgodnie z prawem obowiązującym w kraju użytkownika.

5 INFORMACJE TECHNICZNE (RYS. 1)/STRONA 3**5.1 Przeznaczenie użytkowe**

Urządzenie zostało zaprojektowane do użytku indywidualnego, do czyszczenia pojazdów, maszyn, łodzi, murów i innych powierzchni, do usuwania uporczywego brudu przy pomocy czystej wody lub detergentów podlegających biodegradacji.

Silniki pojazdów można myć myjką tylko wtedy, gdy brudna woda jest utylizowana zgodnie z obowiązującym prawem.

- Temperatura wody wlotowej: **patrz tabliczka znamionowa urządzenia.**

- Ciśnienie wody wlotowej: **min. 0,1 MPa – maks. 1 MPa.**

- Temperatura robocza otoczenia: **powyżej 0°C.**

Urządzenie jest zgodne z wymaganiami norm IEC 60335-1 oraz IEC 60335-2-79.

5.2 Operator

Symbol przedstawiony na rys. 1 wskazuje operatora, dla którego przeznaczone jest urządzenie (operator profesjonalny lub amator).

5.3 Główne podzespoły

- B2** Lanca
- B3** Pistolet z zamkiem bezpieczeństwa
- B4** Przewód elektryczny z wtykiem (dotyczy modeli wyposażonych w tę funkcję)
- B5** Wąż wysokociśnieniowy
- B6** Zbiornik detergentu (dotyczy modeli wyposażonych w tę funkcję)
- B7** Korek wlewu oleju (dotyczy modeli wyposażonych w tę funkcję)
- E** Dysza
- F** Regulator użycia detergentu (dotyczy modeli wyposażonych w tę funkcję)
- G** Regulator ciśnienia (dotyczy modeli wyposażonych w tę funkcję)
- H** Urządzenie uruchamiające
- L** Filtr wody

5.3.1 Akcesoria (o ile zostały dostarczone w pakiecie – patrz rys. 1)

- | | |
|--|-------------------------------|
| C1 Narzędzie do czyszczenia dyszy | C9 Adapter |
| C2 Zestaw z dyszą obrotową | C10 Śruby |
| C3 Uchwyt | C11 Wsporniki |
| C4 Szczotka | C12 Dźwignia |
| C5 Szpula węża | C13 Zestaw detergentów |
| C6 Zestaw do zasypania wody | C14 Koła |
| C7 Dysza do czyszczenia rur | C15 Rurka smarująca |
| C8 Zestaw ze szczotką do czyszczenia dużych powierzchni | C16 Manometr |
| | C17 Adapter |

5.4 Urządzenia zabezpieczające

- Starter (**H**)

Zapobiega przypadkowemu uruchomieniu urządzenia.

⚠ Ostrzeżenie przed niebezpieczeństwem!

Nie wolno manipulować ustawieniami zaworu bezpieczeństwa.

- Zawór bezpieczeństwa i/lub zawór ograniczający ciśnienie.

Zawór bezpieczeństwa działa również jako zawór ograniczający

ciśnienie. Po zwolnieniu spustu zawór zostaje otwarty, co umożliwia recykulację wody przez wlot pompy lub jej wypuszczenie.

- Zawór termostatu (**D1** jeśli jest zamontowany)

Jeśli temperatura wody przekracza temperaturę określoną przez producenta, zawór termostatu wypuści nadmiar gorącej wody i wpuści odpowiednią ilość zimnej wody, równą ilości wody usuniętej z urządzenia, aby uzyskać właściwą temperaturę.

- Zamek bezpieczeństwa (**D**): zapobiega przypadkowemu rozlewaniu wody.

- Zabezpieczenie przeciwprzeciążeniowe zatrzymuje urządzenie w razie przeciążenia.

6 MONTAŻ (RYS. 2)/STRONA 4**6.1 Montaż**

Ostrzeżenie przed niebezpieczeństwem!

Wszystkie działania związane z montażem urządzenia muszą być wykonywane przy urządzeniu odłączonym od źródła zasilania prądem elektrycznym.

Kolejność montażu przedstawiono na **rys. 2**.

6.2 Montaż korków ciśnieniowych (dotyczy modeli wyposażonych w tę funkcję)

Aby zapobiec wyciekowi oleju, w urządzeniu zastosowano wlewy oleju zabezpieczone czerwonymi zaślepkami, które należy zastąpić korkami z zaworem nadmiarowym ciśnienia.

6.3 Montaż dysz obrotowych

(dotyczy modeli wyposażonych w tę funkcję)

Zestaw dysz obrotowych zapewnia większą siłę czyszczenia.

Zastosowanie dysz obrotowych może spowodować spadek ciśnienia o 25% w porównaniu z ciśnieniem roboczym uzyskanym przy pomocy dysz regulowanej. Jednakże zestaw dysz obrotowych zapewnia większą moc czyszczenia ze względu na obrót strumienia wody.

6.4 Połączenia elektryczne

Ostrzeżenie przed niebezpieczeństwem!

Należy sprawdzić, czy napięcie i częstotliwość prądu elektrycznego (V, Hz) odpowiada wartościom wskazanym na tabliczce znamionowej (rys. 2)

6.4.1 Zastosowanie przedłużacza

Stosuj przedłużacze ze stopniem ochrony IPX5.

Przekrój przedłużacza powinien być proporcjonalny do jego długości. Im dłuższy przedłużacz, tym większy powinien być jego przekrój. Patrz tabela 1.

6.5 Podłączenie do sieci wodociągowej

Ostrzeżenie przed niebezpieczeństwem!

Z urządzeniem należy stosować czystą bądź przefiltrowaną wodę. Natężenie przepływu wody w kranie wlotowym powinno być takie samo, jak wydatek pompy.

Urządzenie należy umieścić tak blisko źródła wody, jak to możliwe.

6.5.1 Przyłącza

● Wylot wody (OUTLET)

■ Wlot wody z filtrem (INLET)

6.5.2 Podłączenie do sieci wodociągowej

Urządzenie może być podłączane do sieci wodociągowej tylko wtedy, gdy wąż jest wyposażony w przerywacz próżni. Upewnij się, że średnica węża wynosi co najmniej 13 mm, że wąż jest wzmocniony i nie dłuższy niż 25 m.

6.5.3 Zasypanie wody z otwartych zbiorników

1) Przykręć wąż wlotowy z filtrem do złącza wlotu wody (INLET) i wprowadź na dno zbiornika.

2) Usuń powietrze z urządzenia:

a) Odkręć lancę.

b) Uruchom urządzenie i trzymaj spust pistoletu wciśnięty do momentu, gdy pęcherzyki powietrza przestaną uwalniać się wraz z wodą.

3) Wyłącz urządzenie i ponownie wkręć lancę.

Uwaga: maksymalna wysokość ssania to 0,5 m.

Wąż ssący powinien zostać wypełniony wodą przed użyciem.

7 REGULACJA (RYS. 3)/STRONA 5

- 7.1 Regulacja dyszy spryskującej** (dotyczy modeli wyposażonych w tę funkcję)
Regulacji natężenia przepływu wody dokonuje się poprzez regulację dyszy (E).
- 7.2 Regulowanie użycia detergentu**
Aby dostarczać detergent pod właściwym ciśnieniem, ustaw dyszę (E) (jeśli jest zamontowana) w pozycji,  lub zamontuj zestaw do stosowania detergentu (C13) (jeśli jest dostępny), jak przedstawiono na rysunku.
Ustaw regulowaną dyszę (E) w pozycji, ; aby dostarczać detergent pod właściwym ciśnieniem (dotyczy modeli wyposażonych w tę funkcję).
Do regulacji ilości dostarczanego detergentu służy regulator (F).
- 7.3 Regulacja ciśnienia roboczego** (dotyczy modeli wyposażonych w tę funkcję)
Do regulacji ciśnienia roboczego służy regulator (G). Wartość ciśnienia jest przedstawiona na manometrze (jeśli jest zamontowany).

8 INFORMACJE DOTYCZĄCE UŻYTKOWANIA URZĄDZENIA (RYS. 4)/STRONA 5**8.1 Sterowanie**

- Urządzenie uruchamiające (H)
- Ustaw starter w pozycji (ON/I), aby:
 - a) uruchomić silnik (w modelach bez urządzenia TSS);
 - b) przygotować silnik do uruchomienia (w modelach z urządzeniem TSS).
 Jeżeli na starterze znajduje się lampka kontrolna, powinna się ona zapalić. Ustaw przełącznik startera w pozycji (OFF/0), aby zatrzymać urządzenie. Jeżeli na starterze znajduje się lampka kontrolna, powinna zgasnąć.
- Dźwignia sterowania strumieniem wody (I).

**Ostrzeżenie przed niebezpieczeństwem!**

Podczas pracy urządzenie musi być ustawione w sposób pokazany na rys. 4, na twardym, stabilnym podłożu.

8.2 Uruchomienie (patrz rys. 4)

- 1) Całkowicie odkręć zawór źródła zasilania w wodę.
- 2) Zwolnij zamek bezpieczeństwa (D).
- 3) Wciśnij spust pistoletu na kilka sekund i uruchom urządzenie przy pomocy startera (ON/I).

**Ostrzeżenie przed niebezpieczeństwem!**

Przed uruchomieniem urządzenia sprawdź, czy właściwie przyjmuje ono wodę. Użycie urządzenia bez wody spowoduje jego uszkodzenie. Nie zasłaniaj krtek wlotów wentylacyjnych podczas użytkowania urządzenia.

- Modele z TSS – automatycznym układem przerwania dopływu:
- gdy spust pistoletu zostaje **zwolniony**, ciśnienie dynamiczne automatycznie odcina silnik.
 - gdy spust pistoletu zostaje **wciśnięty**, automatyczny spadek ciśnienia wywołuje uruchomienie silnika i przywrócenie ciśnienia z bardzo niewielkim opóźnieniem;
 - jeżeli funkcja TSS ma działać prawidłowo, **zwalnianie i wcisnięcie** spustu musi oddzielać czas **co najmniej 4-5 sekund**.

Aby zapobiec uszkodzeniu urządzenia, nie należy uruchamiać go bez dopływu wody, a podczas pracy zapewnić odpowiedni dopływ wody.

W modelach bez funkcji TSS, aby zapobiec uszkodzeniu urządzenia w wyniku wzrostu temperatury, nie wyłączaj strumienia wody na dłużej niż 5 minut pracy urządzenia.

8.3 Zatrzymywanie urządzenia

- 1) Ustaw przełącznik startera w pozycji (OFF/0).
- 2) Wciśnij spust pistoletu i zwolnij ciśnienie resztkowe z wnętrza przewodów.
- 3) Zamknij zamek bezpieczeństwa (D).

8.4 Ponowne uruchomienie

- 1) Zwolnij zamek bezpieczeństwa (D).
- 2) Wciśnij spust pistoletu i zwolnij ciśnienie resztkowe z wnętrza przewodów.
- 3) Ustaw przełącznik startera w pozycji (ON/I).

8.5 Przechowywanie

- 1) Zakręć zawór źródła zasilania w wodę.
- 2) Zwolnij ciśnienie resztkowe z pistoletu do momentu usunięcia całej pozostałej wody z urządzenia.
- 3) Wyłącz urządzenie, ustawiając przełącznik w położeniu (OFF/0).
- 4) Wyciągnij wtyk z gniazda.
- 5) Po zakończeniu pracy należy opróżnić i przemyć pojemnik na detergent. Do tego celu najlepiej użyć czystej wody zamiast innego detergentu.
- 6) Zamknij zamek bezpieczeństwa pistoletu (D).

8.6 Uzupelnianie i używanie detergentu
Detergent musi być dostarczany wraz z akcesoriami oraz zgodnie z procedurami opisanymi w punkcie 7.3.

Zastosowanie węża wysokociśnieniowego o długości większej niż ten dostarczany z urządzeniem lub zastosowanie dodatkowego przedłużacza może ograniczyć lub całkowicie zatrzymać zasyianie detergentu. Napełnij pojemnik (B6) wysocze biodegradowalnym detergentem.

8.7 Zalecana procedura czyszczenia

Rozpuszczaj brud, nakładając detergent z wodą na suche powierzchnie. Na płaskich powierzchniach pracuj od dołu do góry. Pozostaw czas na działanie detergentu wynoszący 1-2 minuty, ale nie dopuść do wyschnięcia powierzchni. Począwszy od dołu, pracuj strumieniem wody z myjki przy minimalnej odległości wynoszącej 30 cm. Nie dopuszczaj, by woda wykorzystywana do splukiwania wkraczała na nieumyte powierzchnie.

W niektórych przypadkach konieczne może być zeszkobanie zanieczyszczeń za pomocą szczotek.

Czyszczenie pod ciśnieniem nie zawsze jest najlepszą metodą czyszczenia, gdyż może doprowadzić do uszkodzenia niektórych powierzchni. Najmniejsze ustawienie strumienia dla dyszy oraz dysze obrotowe nie powinny być stosowane do czyszczenia delikatnych lub malowanych części, a także elementów pod ciśnieniem (np. opon, zaworów powietrznych itp.).

Skuteczność czyszczenia w równym stopniu zależy od ciśnienia i ilości użytej wody.

9 KONSERWACJA (RYS. 5)/STRONA 6

Wszystkie działania konserwacyjne opisane w tym rozdziale powinny być wykonywane przez autoryzowane centrum sprzedaży i serwisu.

**Ostrzeżenie przed niebezpieczeństwem!**

Przed wykonywaniem jakichkolwiek prac przy urządzeniu zawsze odłączaj wtyk od źródła zasilania.

9.1 Czyszczenie dyszy

- 1) Odłącz lancę od dyszy.
- 2) Usuń wszelkie osady z brudu z wnętrza otworu dyszy przy pomocy narzędzia (C1).

9.2 Czyszczenie filtra

Przed każdym użyciem należy sprawdzić filtr wlotowy (L) oraz filtr detergentu (jeśli jest on zamontowany) i w razie potrzeby wyczyścić je zgodnie z instrukcjami.

9.3 Usuwanie zanieczyszczenia silnika (dotyczy modeli wyposażonych w tę funkcję)

W przypadku długotrwałych przestojów osad z kamienia może spowodować zacięcie silnika. Aby usunąć zacięcie, obróć wał napędowy narzędziem (M).

9.4 Uzupelnianie oleju (dotyczy modeli wyposażonych w tę funkcję)

Dolewaj oleju przez otwór wlotowy, aby uzyskać właściwy poziom. Charakterystykę oleju przedstawiono w tabeli „Dane techniczne”. Olej powinien być wymieniany co 500 godzin pracy.

9.5 Przechowywanie po zakończeniu sezonu

Przed rozpoczęciem przechowywania na zimę uruchom na kilka chwil urządzenie z niezręczym, nietoksycznym środkiem zapobiegającym zamarzaniu.

Urządzenie należy przechowywać w suchym miejscu, w dodatniej temperaturze.

10 TRANSPORT I PRZECHOWYWANIE (RYS. 5)/STRONA 6

Przechowuj akcesoria, jak pokazano w punkcie 5.
Transportuj urządzenie, jak pokazano w punkcie 5.

11 USUWANIE PROBLEMÓW

Problem	Możliwe przyczyny	Rozwiązanie
Pompa nie osiąga ciśnienia roboczego.	Zużyta dysza	Wymień dyszę
	Zanieczyszczony filtr wody	Wyczyść filtr (L) (rys. 5)
	Niedostateczne zasoby wody	Odkręć do końca zawór źródła zasilania w wodę
	Do systemu dostaje się powietrze	Sprawdź szczelność mocowań węży
	Powietrze w pompie	Wyłącz urządzenie, następnie wciskaj i zwalniaj spust pistoletu, aż woda będzie się wydobywać równym strumieniem. Ponownie włącz urządzenie.
	Dysza regulowana jest niepoprawnie ustawiona	Ustaw dyszę (E) w pozycji (+) (rys. 3)
	Zawór termostatu został aktywowany	Poczekaj na przywrócenie prawidłowej temperatury wody
Dochodzi do spadków ciśnienia pompy w wyniku nagłego rozpoczęcia użytkowania	Woda jest zasysana z zewnętrznego zbiornika	Podłącz urządzenie do sieci wodociągowej
	Wlot wody jest zbyt gorący	Obniż temperaturę pracy
	Dysza zablokowana	Wyczyść dyszę (Rys. 5)
	Filtr wlotowy (L) zanieczyszczony	Wyczyść filtr (L) (rys. 5)
Silnik „brzęczy”, ale się nie uruchamia	Napięcie zasilania jest zbyt niskie	Upewnij się, że napięcie głównego źródła zasilania jest takie samo, jak na tabliczce znamionowej (rys. 2)
	Spadek napięcia wynikający z zastosowania przedłużacza	Sprawdź parametry zastosowanego przedłużacza
	Urządzenie nieużywane przez dłuższy czas	Skontaktuj się z najbliższym autoryzowanym centrum serwisowym
	Problemy z urządzeniem TSS	Skontaktuj się z najbliższym autoryzowanym centrum serwisowym
Silnik się nie uruchamia	Brak zasilania	Upewnij się, że wtyk jest mocno osadzony w gnieździe i że dostępne jest zasilanie sieciowe (*)
	Problemy z urządzeniem TSS	Skontaktuj się z najbliższym autoryzowanym centrum serwisowym
	Urządzenie nieużywane przez dłuższy czas	Przy pomocy narzędzia (M) usuń zacięcie silnika przez otwór w tylnej części urządzenia (dotyczy modeli wyposażonych w tę funkcję) (rys. 5)
Wycieki wody	Zużyte uszczelki	Zleć wymianę uszczelek w najbliższym autoryzowanym centrum serwisowym.
	Zawór bezpieczeństwa został aktywowany, trwa wypuszczanie	Skontaktuj się z autoryzowanym centrum serwisowym
Urządzenie hałasuje	Woda jest zbyt gorąca	Zmniejsz temperaturę (patrz dane techniczne)
Wycieki oleju	Zużyte uszczelki	Skontaktuj się z najbliższym autoryzowanym centrum serwisowym
Tylko w wersjach z TSS: urządzenie uruchamia się nawet ze zwolnionym spustem	Układ wysokiego ciśnienia lub obieg pompy nieuszczelne	Skontaktuj się z najbliższym autoryzowanym centrum serwisowym
Tylko w wersjach z TSS: brak zasilania wodą po wciśnięciu spustu (z podłączonym węzłem zasilającym w wodę)	Dysza zablokowana	Wyczyść dyszę (Rys. 5)
Detergent nie jest zasysany	Końcówkę regulowaną ustawiono na wysokie ciśnienie	Ustaw dyszę (E) w pozycji „-” (rys. 3)
	Detergent jest zbyt gęsty	Rozcieńcz za pomocą wody
	Użyto przedłużacza węży wysokiego ciśnienia	Użyj oryginalnego węży
	Osad lub blokada w obwodzie detergentu	Przemij czystą wodą i usuń wszelkie elementy blokujące. Jeśli problem będzie się powtarzał, skontaktuj się z autoryzowanym centrum serwisowym
Woda wydostaje się z zaworu termostatu	Temperatura wody wewnątrz dyszy przekracza maksymalną dopuszczalną temperaturę wody wskazaną na tabliczce znamionowej	Podczas pracy urządzenia nie zatrzymuj strumienia wody na więcej niż 5 minut na raz

(*) Jeśli silnik urządzenia przestanie pracować i nie uruchomi się ponownie podczas pracy, odczekaj 2-3 minuty i ponownie wykonaj procedurę rozruchu (doszło do uruchomienia zabezpieczenia przeciwprzeciążeniowego).

Jeżeli problem powtórzy się, skontaktuj się z najbliższym autoryzowanym centrum serwisowym.

MODEL NUMER SERYJNY



12 JAK UNIKNĄĆ USZKODZEŃ POWIERZCHNI**OSTRZEŻENIE**

- 12.1 Stosowanie urządzenia do mycia opon może doprowadzić do ich uszkodzenia i być niebezpieczne.
- 12.2 Nigdy nie kieruj strumienia wody pod wysokim ciśnieniem bezpośrednio na opony.
- 12.3 Myjąc powierzchnie wokół kół i opon myjką ciśnieniową, należy zawsze korzystać z najniższego ustawienia ciśnienia.
- 12.4 Nie należy myć elementów pojazdu za pomocą „lancy Turbo”.
- 12.5 Więcej informacji znajduje się w części „8.7 Zalecana procedura czyszczenia”.

**Deklaracja zgodności WE**

W imieniu firmy Annovi Reverberi S.p.A, deklaruje, że następująca maszyna De Walt

Oznaczenie maszyny	Myjka ciśnieniowa			
Model	DXPW 004 E	DXPW 005 E	DXPW 006 E	DXPW 007 E
Moc znamionowa	3 kW	5 kW	5 kW	7,4 kW

jest zgodna z wymogami następujących Dyrektyw Europejskich:

2006/42/WE, 2014/35/UE, 2011/65/UE, 2015/863/UE, 2012/19/UE, 2014/30/UE i 2000/14/WE

i jest wytwarzana zgodnie z wymaganiami następujących norm i dokumentów standaryzujących:

EN 60335-1; EN 60335-2-79; EN 55014-1; EN 55014-2; EN 61000-3-2; EN 61000-3-3; EN 61000-3-11; EN 60704-1; EN 62233; EN IEC 63000

Nazwisko i adres osoby odpowiedzialnej za wydanie dokumentacji technicznej: Stefano Reverberi / Dyrektor zarządzający AR

Via ML King, 3 - 41122 Modena, Włochy

Procedura oceny zgodności wymagana przez Dyrektywę 2000/14/WE została wykonana zgodnie z treścią Załącznika V.

Model	DXPW 004 E	DXPW 005 E	DXPW 006 E	DXPW 007 E
Zmierzony poziom mocy akustycznej	93,5 dB (A)	93,9 dB (A)	93,9 dB (A)	94,4 dB (A)
Gwarantowany poziom mocy akustycznej	96 dB (A)	96 dB (A)	96 dB (A)	97 dB (A)

Data: 04.03.2022

MODENA (I)

Stefano Reverberi

Dyrektor zarządzający

Gwarancja

Okres obowiązywania gwarancji jest zgodny z obowiązującym prawem w kraju sprzedaży (chyba, że producent twierdzi inaczej).

Gwarancja obejmuje wady materiału, wyrobu i zgodności w okresie obowiązywania gwarancji, w którym to czasie producent zobowiązuje się do wymiany uszkodzonych części i naprawy lub wymiany produktu, o ile nie jest on nadmiernie zużyty.

Gwarancja nie obejmuje elementów podlegających normalnemu zużyciu (zawory, tłoki, uszczelnienie zapobiegające wyciekom wody i oleju, sprężyny, pierścienie uszczelniające typu O-ring, akcesoria, takie jak węże, pistolety, szczotki, koła itp.).

Gwarancja nie dotyczy wad produktu spowodowanych lub będących wynikiem następujących zdarzeń:

- niewłaściwe użytkowanie, zaniedbanie;
- wynajem lub użycie profesjonalny produktu przeznaczonego do użytku domowego;
- nieprzestrzeganie instrukcji konserwacji zawartej w niniejszej instrukcji;
- naprawa wykonana przez nieautoryzowany obiekt lub personel;
- zastosowanie nieoryginalnych części lub akcesoriów;
- uszkodzenia powstałe w transporcie, w wyniku zabrudzenia, wpływu ciał obcych, wypadku;
- problemy związane z przechowywaniem i magazynowaniem.

W celu zrealizowania gwarancji należy dostarczyć dowód sprzedaży.

Jeśli potrzebujesz pomocy, Strona: 285.

Dane techniczne

Dane techniczne	Urząd.	DXPW 004 E	DXPW 005 E	DXPW 006 E	DXPW 007 E
Natężenie przepływu	l/min	10	13,5	15	14
Maksymalne natężenie przepływu	l/min	-	-	-	-
Cisnienie	MPa	12	18	15	21
Cisnienie maksymalne	MPa	15	20	17	23
Moc	kW	3	5	5	7,4
Maksymalne temp. wlotowa	°C	60	60	60	60
Maksymalne ciśnienie wlotowe	MPa	1	1	1	1
Siła odpychająca pistoletu przy maksymalnym ciśnieniu	N	24,30	40,10	40,70	44,90
Typ oleju stosowanego do pompy	kg	-	-	-	-
Klasa ochrony	-	I / 	I / 	I / 	I / 
Izolacja silnika	Klasa	F	F	F	F
Ochrona silnika	-	IPX5	IPX5	IPX5	IPX5
Napięcie	V/Hz	230/50 1~	400/50 3~	400/50 3~	400/50 3~
Maksymalna dopuszczalna oporność układu elektrycznego	Ω	-	-	-	-
Poziom ciśnienia akustycznej L_{pA} (EN 60704-1) (K = 2,5 dB(A))	dB (A)	82,1	82,5	82,5	83
Poziom mocy akustycznej L_{WA} (EN 60704-1) (K = 2,5 dB(A))	dB (A)	96	96	96	97
Wibracje wytwarzane przez urządzenie (K = 1 m/s ²):	m/s ²	<2,5	<2,5	<2,5	<2,5
Masa	kg	38	40	40	64

Dane mogą ulec zmianie w wyniku modyfikacji technicznych!

1 INSTRUÇÕES PARA A SEGURANÇA

1.1 A máquina que adquiriu é um produto de elevado conteúdo tecnológico realizado por uma das mais experientes empresas europeias no setor das lavadoras a alta pressão. Para obter o máximo em termos de desempenho, fornecemos aqui algumas instruções que devem ser lidas atentamente e respeitadas sempre que o aparelho for utilizado. Durante as operações de ligação, uso e manutenção da máquina, adote todas as precauções possíveis para salvaguardar a integridade física sua e das pessoas que se encontram nas proximidades imediatas da máquina. Leia atentamente e respeite as prescrições de segurança porque, se descuidadas, podem colocar em risco a saúde e a segurança das pessoas ou provocar danos económicos.

2 AVISOS DE INFORMAÇÃO

2.1 Respeite os avisos das placas e dos símbolos aplicados na máquina e reproduzidos nestas instruções.

Na máquina e no manual estão presentes apenas os símbolos aplicáveis à máquina adquirida. Verifique se os símbolos e placas aplicados na máquina estão sempre íntegros e legíveis; caso contrário, substitua-os aplicando-os na posição original.

 Atenção - Perigo

  Leia atentamente estas instruções antes de utilizar o aparelho.

 Ícone E2 (se o símbolo estiver presente na fig. 1) - Indica que a máquina destina-se a uso profissional, ou seja, a pessoas que tenham experiência, conhecimentos técnicos, conhecimento das normas e da legislação, e que sejam capazes de realizar as operações necessárias para usar e fazer a manutenção da máquina. Esta máquina não deve ser utilizada por pessoas (incluindo as crianças) com capacidades mentais, sensoriais ou físicas reduzidas ou sem experiência ou discernimento.

 Órgãos em movimento. Não tocar.

0 Posição de interruptor desligado

I Posição de interruptor ligado

 Nível de pressão acústica garantido



 Proibição: assinala ao utilizador que existe a possibilidade de as normas nacionais proibirem a conexão do produto à rede de distribuição de água potável.



Sinal de perigo: avisa o utilizador de que não deve dirigir o jato de água contra pessoas, animais, equipamentos elétricos ou contra o próprio produto.

 Este produto pertence à classe de isolamento I. Isso significa que está equipado com um condutor de proteção de ligação à terra (somente se o símbolo estiver presente na máquina).

CE Este produto cumpre os requisitos das diretivas europeias aplicáveis em matéria.



Ícone E1 - Indica que é **proibido eliminar** a máquina como lixo doméstico; ela pode ser restituída ao distribuidor aquando da compra de uma nova máquina. As partes elétricas e eletrónicas que constituem a máquina não devem ser reutilizadas para usos impróprios porque contêm substâncias nocivas para a saúde.

 Utilizar protetores auriculares.

 Utilizar máscara de proteção.

 Utilizar equipamentos de proteção das vias respiratórias.

 Utilizar luvas de proteção.

 Utilizar calçados de segurança.

 Utilizar vestuário de proteção.



3 PRESCRIÇÕES DE SEGURANÇA/RISCOS RESIDUAIS

3.1 ADVERTÊNCIAS: O QUE NÃO FAZER

- 3.1.1 **ATENÇÃO.** NÃO deixe que as crianças usem a máquina e mantenha-as sob vigilância para se certificar de que não brinquem com ela.
- 3.1.2 **ATENÇÃO.** Os jatos de alta pressão podem ser perigosos se forem utilizados de forma imprópria.
- 3.1.3 **ATENÇÃO.** NÃO utilize a máquina com fluidos inflamáveis, tóxicos ou com características não compatíveis com o funcionamento correto da própria máquina. É proibido utilizar a máquina em atmosfera potencialmente inflamável ou explosiva.
- 3.1.4 **ATENÇÃO. PERIGO DE EXPLOSÃO.** NÃO borrife líquidos inflamáveis.
- 3.1.5 **ATENÇÃO.** NÃO dirija o jato de água contra pessoas ou animais.
- 3.1.6 **ATENÇÃO.** NÃO dirija o jato de água contra a própria máquina, partes elétricas ou em direção de outras aparelhagens elétricas.
- 3.1.7 **ATENÇÃO.** NÃO utilize a máquina dentro do raio no qual se encontram pessoas que não estão a usar vestuário de proteção.
- 3.1.8 **ATENÇÃO.** NÃO dirija o jato contra si ou contra outras pessoas para limpar roupas ou calçados.
- 3.1.9 **ATENÇÃO.** NÃO utilize a máquina ao ar livre em caso de chuva.
- 3.1.10 **ATENÇÃO.** A máquina NÃO pode ser acionada por crianças, pessoas incapazes ou por quem não tiver lido e compreendido as instruções.
- 3.1.11 **ATENÇÃO.** NÃO toque na ficha e/ou na tomada com as mãos molhadas.
- 3.1.12 **ATENÇÃO.** NÃO utilize a máquina com o cabo elétrico avariado. Se o cabo elétrico estiver danificado, deverá ser substituído pelo fabricante, por um seu Centro de Assistência autorizado ou por uma pessoa com as mesmas qualificações, para evitar perigos para a segurança.
- 3.1.13 **ATENÇÃO.** NÃO utilize a máquina se um cabo de alimentação ou partes importantes, tais como, por exemplo, dispositivos de segurança, tubos de alta pressão, pistola, estiverem danificados.
- 3.1.14 **ATENÇÃO.** NÃO bloqueie a alavanca da pistola na posição de funcionamento.
- 3.1.15 **ATENÇÃO.** Verifique se a máquina está provida da placa de características. Em caso negativo, avise o revendedor. As máquinas sem a placa de características NÃO devem ser utilizadas porque são anónimas e potencialmente perigosas.



- 3.1.16 ATENÇÃO.** NÃO modifique ou varie a calibragem da válvula de regulação e dos dispositivos de segurança.
- 3.1.17 ATENÇÃO.** NÃO varie o diâmetro original do jato do bico.
- 3.1.18 ATENÇÃO.** NÃO desloque a máquina puxando-a pelo CABO ELÉTRICO.
- 3.1.19 ATENÇÃO.** Evite passar com veículos sobre o tubo de alta pressão.
- 3.1.20 ATENÇÃO.** NÃO desloque a máquina puxando-a pelo tubo de alta pressão.
- 3.1.21 ATENÇÃO.** O jato de alta pressão dirigido contra pneus, válvulas de pneus e outros componentes sob pressão é potencialmente perigoso. Evite utilizar o kit bico giratório e mantenha sempre uma distância do jato de pelo menos 30 cm durante a limpeza.
- 3.1.22 ATENÇÃO.** É proibido utilizar acessórios não originais e não específicos para o modelo. É proibido efetuar modificações na máquina; a execução de modificações anula os termos da Declaração de Conformidade e exonera o fabricante de toda e qualquer responsabilidade civil e penal.

3.2 ADVERTÊNCIAS: O QUE FAZER

- 3.2.1 ATENÇÃO.** Todas as partes condutoras de corrente DEVEM SER PROTEGIDAS contra o jato de água.
- 3.2.2 ATENÇÃO.** A ligação elétrica deverá ser executada por um electricista qualificado em conformidade com a norma IEC 60364-1. Recomendamos prever um interruptor diferencial que interrompa a alimentação elétrica para esta máquina se a corrente de dispersão para a terra ultrapassar o valor de 30 mA durante 30 ms, ou então um dispositivo de controlo do circuito de terra.
- 3.2.3 ATENÇÃO.** DURANTE o arranque, a máquina pode gerar perturbações na rede.
- 3.2.4 ATENÇÃO.** O funcionamento com o interruptor diferencial de segurança oferece uma proteção suplementar (30 mA).
- 3.2.5 ATENÇÃO.** A instalação dos modelos sem ficha deve ser feita por pessoal qualificado.
- 3.2.6 ATENÇÃO.** Utilize unicamente extensões elétricas autorizadas e com secção de condução apropriada.
- 3.2.7 ATENÇÃO.** Desligue sempre o interruptor ao deixar a máquina sem vigilância.

- 3.2.8**      

ATENÇÃO. A alta pressão pode causar o ricochete de peças; por este motivo, utilize vestuário e equipamentos de proteção (EPI) que permitam garantir a sua segurança e integridade física.



- 3.2.9 ATENÇÃO.** Antes de efetuar qualquer operação de serviço na máquina, TIRE a ficha da tomada de corrente.
- 3.2.10 ATENÇÃO.** Por causa do recuo, SEGURE a pistola com firmeza ao puxar a alavanca.
- 3.2.11 ATENÇÃO.** RESPEITE as prescrições da companhia local de abastecimento de água. Segundo a norma IEC 60335-2-79, a máquina pode ser ligada diretamente à rede pública de distribuição de água potável somente se na tubagem de alimentação houver um dispositivo antirrefluxo com esvaziamento tipo BA, em conformidade com a norma EN 12729. O dispositivo antirrefluxo pode ser encomendado ao fabricante.
- 3.2.12 ATENÇÃO.** A água que passa pelos dispositivos antirrefluxo não é considerada potável.
- 3.2.13 ATENÇÃO.** A manutenção e/ou a reparação dos componentes elétricos DEVE ser feita por pessoal qualificado.
- 3.2.14 ATENÇÃO.** DESCARREGUE a pressão residual antes de desligar o tubo da máquina.
- 3.2.15 ATENÇÃO.** VERIFIQUE, antes de cada utilização e periodicamente, o aperto dos parafusos e o bom estado das partes que compõem a máquina. Observe com atenção se há peças partidas ou desgastadas.
- 3.2.16 ATENÇÃO.** UTILIZE apenas detergentes compatíveis com os materiais de revestimento do tubo de alta pressão/cabo elétrico.
- 3.2.17 ATENÇÃO.** MANTENHA as pessoas e animais à distância mínima de 15 m.
- 3.2.18 ATENÇÃO.** Esta máquina foi concebida para ser utilizada com os detergentes fornecidos ou recomendados pelo fabricante. A utilização de detergentes ou produtos químicos diferentes pode afetar negativamente a sua segurança.
- 3.2.19 ATENÇÃO.** Evite que o detergente entre em contacto com a pele, sobretudo com os olhos! Em caso de contacto com os olhos, lave-os com água limpa e procure atendimento médico imediato!
- 3.2.20 ATENÇÃO.** Os tubos de alta pressão, conexões e juntas são importantes para a segurança da máquina. Utilize exclusivamente tubos de alta pressão, conexões e juntas aconselhados pelo fabricante.
- 3.2.21 ATENÇÃO.** Para garantir a segurança da máquina, utilize apenas peças sobressalentes genuínas do fabricante ou aprovadas por ele.
- 3.2.22 ATENÇÃO.** Se um cabo de extensão for utilizado, a ficha e a tomada devem possuir uma construção estanque à água.



- 3.2.22 ATENÇÃO.** Os cabos de extensão inadequados podem ser perigosos. Se tiver de utilizar um cabo de extensão, escolha um cabo de tipo adequado para a utilização ao ar livre e assegure-se de que a conexão permaneça seca e afastada do terreno. Para o efeito, recomendamos utilizar um enrolador de cabo que mantenha a tomada a pelo menos 60 mm de distância do terreno.
- 3.2.23 ATENÇÃO.** Desligue a máquina e isole-a da fonte de alimentação antes de efetuar operações de montagem, limpeza, regulação, manutenção, estocagem e transporte.
- 3.2.24 ATENÇÃO.** Introduza o kit para limpeza das tubagens até à marca vermelha antes de ligar a máquina.



4 INFORMAÇÕES GERAIS (FIG.1)/PÁGINA 3**4.1 Uso do manual**

Este manual faz parte integrante da máquina e deve ser guardado para toda futura consulta. Leia-o atentamente antes de instalar/usar o aparelho. Em caso de venda do aparelho, é obrigatório entregar o manual ao novo proprietário.

4.2 Entrega

A máquina é entregue parcialmente desmontada dentro de uma embalagem de cartão.

A composição do fornecimento está representada na fig.1.

4.2.1 Documentos fornecidos com a máquina

- A1** Manual de uso e manutenção
- A2** Instruções para a segurança
- A3** Declaração de conformidade
- A4** Regras de garantia

4.3 Eliminação das embalagens

Os materiais que constituem a embalagem não são poluentes para o ambiente, todavia devem ser reciclados ou eliminados de acordo com as normas vigentes no país onde a máquina for utilizada.

5 INFORMAÇÕES TÉCNICAS (FIG.1)/PÁGINA 3**5.1 Uso previsto**

A máquina destina-se a uso individual para a limpeza de veículos, carros, barcos, edifícios, etc. para remover a sujidade mais tenaz com água limpa e detergentes químicos biodegradáveis.

É permitido lavar motores de veículos só se a água suja for eliminada de acordo com as normas vigentes.

- Temperatura da água na entrada: **ver a placa de características aplicada na máquina.**

- Pressão da água na entrada: **mín. 0,1 MPa - máx. 1 MPa.**

- Temperatura ambiente de funcionamento: **superior a 0 °C.**

A máquina cumpre os requisitos das normas IEC 60335-1 e IEC 60335-2-79.

5.2 Operador

Para identificar o operador encarregado do uso da máquina (profissional ou não profissional), observe o ícone representado na fig. 1.

5.3 Partes principais

- B2** Lança
- B3** Pistola com dispositivo de segurança
- B4** Cabo elétrico com ficha (quando previsto)
- B5** Tubo de alta pressão
- B6** Tanque de detergente (quando previsto)
- B7** Tampão de óleo (quando previsto)
- E** Bico
- F** Regulador de detergente (quando previsto)
- G** Regulador de pressão (quando previsto)
- H** Dispositivo de arranque
- L** Filtro de água

5.3.1 Acessórios (se previstos no fornecimento - ver a fig.1)

- | | |
|---|---------------------------------------|
| C1 Ferramenta de limpeza do bico | C10 Parafusos e porcas |
| C2 Kit bico giratório | C11 Suportes |
| C3 Alça | C12 Alavanca |
| C4 Escova | C13 Kit de detergente |
| C5 Enrolador de tubo | C14 Rodas |
| C6 Kit aspiração de água | C15 Tubo de massa lubrificante |
| C7 Kit para limpeza das tubagens | C16 Manómetro |
| C8 Kit escova para grandes superfícies | C17 Adaptador |
| C9 Adaptador | |

5.4 Dispositivos de segurança

- Dispositivo de arranque (**H**)

O dispositivo de arranque evita o uso acidental da máquina.

⚠ Atenção - perigo!

Não modifique ou varie a calibragem da válvula de segurança.

- Válvula de segurança e/ou limitadora de pressão.

A válvula de segurança também é uma válvula limitadora de pressão. Quando se fecha a pistola, a válvula abre-se e a água circula pela aspiração da bomba ou é descarregada para o chão.

- Válvula termostática (**D1** quando prevista)

Se a temperatura da água ultrapassar o valor de temperatura previsto pelo fabricante, a válvula termostática descarrega a água quente e aspira uma quantidade de água fria igual à quantidade de água descarregada, até a temperatura correta ser restabelecida.

- Dispositivo de segurança (**D**): evita o jato de água accidental.

- Proteção térmica: se acontecer uma sobrecarga, a proteção térmica interrompe o funcionamento da máquina.

6 INSTALAÇÃO (FIG.2)/PÁGINA 4**6.1 Montagem****⚠ Atenção - perigo!**

Todas as operações de instalação e montagem devem ser feitas com a máquina desligada da rede elétrica. Para a sequência de montagem ver a fig.2.

6.2 Montagem dos tampões de respiro (quando previsto)

Para evitar fugas de óleo, a máquina é entregue com os bocais de introdução de óleo fechados com tampões vermelhos. Estes últimos devem ser substituídos pelos tampões de respiro incluídos no material fornecido.

6.3 Montagem do bico giratório

(Para os modelos que estiverem equipados com este acessório).

O kit bico giratório permite ter uma maior potência de lavagem.

A utilização do bico giratório pode coincidir com uma queda de pressão de 25% relativamente à pressão obtida com o bico regulável. De qualquer maneira, a sua utilização permite ter uma maior potência de lavagem graças ao efeito giratório que o jato de água passa a ter.

6.4 Ligação elétrica**⚠ Atenção - perigo!**

Verifique se os valores de tensão e frequência (V-Hz) da rede elétrica coincidem com os valores indicados na placa de identificação (fig.2).

6.4.1 Utilização de cabos de extensão

Utilize cabos e fichas com grau de proteção "IPX5".

A secção dos cabos de extensão deve ser proporcionada ao seu comprimento, isto é, quanto mais comprida for a extensão, maior deverá ser a secção. Consulte a tabela I.

6.5 Ligação hídrica**⚠ Atenção - perigo!**

Aspire somente água filtrada ou limpa. A torneira da água deve garantir uma distribuição pelo menos igual ao caudal da bomba.

Coloque a máquina o mais perto possível da rede hídrica da qual se abastece.

6.5.1 Bocas de ligação

- Saída da água (OUTLET)
- Entrada da água com filtro (INLET)

6.5.2 Ligação à rede hídrica pública

A máquina pode ser ligada diretamente à rede pública de distribuição de água potável somente se na tubagem de alimentação houver um dispositivo antirrefluxo com esvaziamento em conformidade com as normas vigentes. Certifique-se de que o tubo tenha um diâmetro de pelo menos 13 mm, que seja reforçado e que o seu comprimento não exceda 25 m.

6.5.3 Aspiração de água a partir de recipientes abertos

- 1) Enrosque o tubo de aspiração com o filtro à entrada da água (INLET) e mergulhe-o até ao fundo no recipiente.
- 2) Faça a purga do ar presente na máquina:
 - a) Desenrosque a lança.
 - b) Ligue a máquina e abra a pistola para que a água saia sem bolhas de ar.

- 3) Desligue a máquina e volte a enroscar a lança.
 Nota: a altura máxima de aspiração é de 0,5 m. Aconselha-se a encher o tubo de aspiração antes da utilização.

7 REGULACOES (FIG.3)/PÁGINA 5

- 7.1 Regulação do bico** (quando prevista)
 Rode o bico (E) para regular o jato de água.
- 7.2 Regulação do fornecimento de detergente**
 Para que o detergente seja fornecido à pressão correta, ponha o bico (E) (quando previsto) na posição "■" ou monte o kit de detergente (C13) (quando previsto) conforme ilustrado na figura.
 Rode o regulador (F) para dosear a quantidade de detergente a fornecer.
- 7.3 Regulação da pressão de trabalho** (quando prevista)
 Rode o regulador (G) para alterar a pressão de trabalho. A pressão é indicada no manómetro (se presente).

8 INFORMAÇÕES SOBRE O USO (FIG.4)/PÁGINA 5

- 8.1 Comandos**
 - Dispositivo de arranque (H).
 Ponha o dispositivo de arranque na pos. (ON/I) para:
 a) ligar o motor (nos modelos sem dispositivo TSS);
 b) pôr o motor em condições de funcionar (nos modelos equipados com dispositivo TSS).
 Se o dispositivo de arranque tiver a lâmpada piloto, ela deve acender.
 Ponha o dispositivo de arranque na pos. (OFF/O) para interromper o funcionamento da máquina.
 Se o dispositivo de arranque tiver a lâmpada piloto, ela deve apagar.
 - Alavanca de comando do jato de água (I).



Atenção - perigo!

A máquina deve trabalhar apoiada num plano seguro e estável, na posição indicada na fig.4.

- 8.2 Arranque** (ver a fig. 4)
 1) Abra totalmente a torneira da rede hídrica.
 2) Desative o dispositivo de segurança (D).
 3) Mantenha a pistola aberta durante alguns segundos e ligue a máquina com o dispositivo de arranque (ON/I).



Atenção - perigo!

Antes de ligar a máquina certifique-se de que está alimentada corretamente com água; a utilização a seco provoca danos na máquina. Durante o funcionamento, não cubra as grades de proteção.

- Modelos TSS - Nos modelos TSS com interrupção automática da vazão:
 - **fechando** a pistola, a pressão dinâmica desliga automaticamente o motor elétrico;
 - **abrindo** a pistola, a diminuição de pressão liga automaticamente o motor e a pressão forma-se de novo com um pequeno atraso;
 - para obter um funcionamento correto do TSS, as operações de **fecho e abertura** da pistola **não** devem ser efetuadas num intervalo de tempo inferior a 4 ou 5 segundos.

Para evitar danos na máquina, evite fazê-la funcionar a seco e verificar se recebe sempre a alimentação correta de água. Para os modelos sem TSS, para evitar danos na máquina causados pelo aumento da temperatura da água, não interrompa, com a máquina a funcionar, o jato de água por um período superior a 5 minutos.

- 8.3 Paragem**
 1) Ponha o dispositivo de arranque na pos. (OFF/O).
 2) Abra a pistola e descarregue a pressão presente no interior das tubagens.
 3) Ative o dispositivo de segurança (D).
- 8.4 Novo arranque**
 1) Desative o dispositivo de segurança (D).
 2) Abra a pistola e deixe descarregar o ar presente no interior das tubagens.
 3) Ponha o dispositivo de arranque na pos. (ON/I).

8.5 O que fazer ao desligar o aparelho

- 1) Feche a torneira da água.
- 2) Descarregue a pressão residual pela pistola até toda a água sair da máquina.
- 3) Desligue a máquina (OFF/O).
- 4) Tire a ficha da tomada de corrente.
- 5) Esvazie e lave o tanque de detergente ao terminar o trabalho.
 Para a lavagem do tanque, utilize água limpa no lugar do detergente.
- 6) Ative o dispositivo de segurança (D) da pistola.

8.6 Abastecimento e uso do detergente O detergente deve ser utilizado com os acessórios e respeitando as instruções fornecidas no ponto 7.3.

O uso de um tubo de alta pressão mais comprido do que o fornecido de série com a máquina ou o uso de uma extensão suplementar para tubo pode diminuir ou interromper totalmente a aspiração do detergente.
 Encha o tanque (B6) com detergente de alta biodegradabilidade.

- 8.7 Conselhos para a lavagem correta**
 Dissolva a sujidade aplicando o detergente na superfície seca.
 Nas superfícies verticais, efetue a operação de baixo para cima. Deixe agir por 1 ou 2 minutos, porém sem deixar a superfície secar. Aplique o jato de alta pressão mantendo-se a mais de 30 cm e começando pela parte inferior. Evite que a água de enxágue escorra sobre as superfícies não lavadas.
 Nestes casos, para remover a sujidade é necessária a ação mecânica das escovas para lavagem.
 Nem sempre a alta pressão é a melhor solução para obter uma boa lavagem, porque pode causar danos em algumas superfícies. É aconselhável evitar o uso do jato puntiforme do bico regulável e o uso do bico giratório em partes delicadas e pintadas e em componentes sob pressão (ex. pneus, válvulas de enchimento...).
 Uma boa ação de lavagem depende, na mesma medida, da pressão e do volume de água.

9 MANUTENÇÃO (FIG.5)/PÁGINA 6

Todas as operações de manutenção não incluídas neste capítulo devem ser feitas por um centro de venda e assistência autorizado.



Atenção - perigo!

Antes de efetuar qualquer operação na máquina, tire a ficha da tomada de corrente.

- 9.1 Limpeza do bico**
 1) Desmonte a lança da pistola.
 2) Remova a sujidade do furo do bico utilizando a ferramenta (C1).
- 9.2 Limpeza do filtro**
 Verifique o filtro de aspiração (L) e o filtro de detergente (quando previsto) antes de cada utilização e, se for necessário, proceda à respetiva limpeza conforme indicado.
- 9.3 Desbloqueio do motor** (quando previsto)
 Se a máquina ficar inativa durante muito tempo, os depósitos de cálcio podem causar o bloqueio do motor. Para desbloquear o motor, rode o eixo motriz com uma ferramenta (M).
- 9.4 Abastecimento com óleo** (quando previsto)
 Abasteça com óleo deitando-o pelo furo de introdução até restabelecer o nível correto.
 Relativamente às características do óleo, consulte a tabela "Dados técnicos".
 Aconselha-se a substituir o óleo todas as 500 horas de uso.
- 9.5 Armazenagem**
 Antes de guardar a máquina no período invernal, faça-a funcionar com líquido antigelo não agressivo e não tóxico.
 Coloque o aparelho em local seco e ao abrigo do gelo.

10 ESTOCAGEM E TRANSPORTE (FIG.5)/PÁGINA 6

Armazene os acessórios como previsto na fig. 5.
 Transporte a máquina como previsto na fig. 5.

12 COMO NÃO DANIFICAR AS SUPERFÍCIES



ATENÇÃO

- 12.1 A utilização da máquina para a lavagem de pneus pode causar danos aos mesmos e ser perigosa.
- 12.2 Não dirija o jato de alta pressão diretamente contra o pneu.
- 12.3 Utilize sempre a máquina à pressão mais baixa ao realizar operações de limpeza perto de rodas e pneus.
- 12.4 Nunca utilize a "Lança turbo" para lavar uma parte qualquer do veículo.
- 12.5 Para obter mais informações, leia a secção: "8.7 Conselhos para a lavagem correta".



Declaração de conformidade CE

Nós da Anнови Reverberi S.p.A., Modena, Itália, declaramos que a(s) seguinte(s) máquina(s) De Wolt:

Denominação da máquina	Lavadora a alta pressão			
N.º do modelo	DXPW 004 E	DXPW 005 E	DXPW 006 E	DXPW 007 E
Potência consumida	3 kW	5 kW	5 kW	7,4 kW

está(ão) em conformidade com as seguintes diretivas europeias:

2006/42/CE, 2014/35/UE, 2011/65/UE, 2015/863/UE, 2012/19/UE, 2014/30/UE, 2000/14/CE (Decreto Legislativo da República Italiana 262/2002).

e é(são) produzida(s) respeitando as seguintes normas ou os seguintes documentos normalizados:

EN 60335-1; EN 60335-2-79; EN 55014-1; EN 55014-2; EN 61000-3-2; EN 61000-3-3; EN 61000-3-11; EN 60704-1; EN 62233; EN IEC 63000

Nome e endereço da pessoa encarregada da compilação do processo técnico: Stefano Reverberi / AR Managing Director
Via ML King, 3 - 41122 Modena, Itália

O procedimento de avaliação da conformidade exigido pela diretiva 2000/14/CE foi realizado em cumprimento do Anexo V

N.º do modelo	DXPW 004 E	DXPW 005 E	DXPW 006 E	DXPW 007 E
Nível de poder acústico medido:	93,5 dB (A)	93,9 dB (A)	93,9 dB (A)	94,4 dB (A)
Nível de poder acústico garantido:	96 dB (A)	96 dB (A)	96 dB (A)	97 dB (A)

Data: 04.03.2022

MODENA (I)

Stefano Reverberi



Managing Director

PT

Garantia

A validade da garantia é regulamentada pelas normas vigentes no país em que o produto é comercializado (salvo indicações diferentes do fabricante).

Se, durante o período de validade da garantia, o produto apresentar defeitos por qualidade do material, de fabrico ou por não conformidade, o fabricante garante a substituição das peças defeituosas, procede à reparação dos produtos se estiverem razoavelmente desgastados ou à sua substituição.

A garantia não cobre componentes sujeitos a desgaste normal (válvula, pistão, vedante para água, vedante para óleo, molas, anéis OR e acessórios, tais como tubo, pistola, escovas, rodas, etc.).

A garantia não cobre defeitos causados por ou derivantes de:

- uso incorreto, uso não admitido, negligência;
- aluguel ou uso profissional se o produto tiver sido vendido para uso doméstico;
- não cumprimento das normas de manutenção previstas no manual de instruções;
- reparações feitas por pessoal ou centros não autorizados;
- emprego de sobressalentes ou acessórios não genuínos;
- danos provocados pelo transporte, por objetos ou substâncias estranhas, sinistro;
- problemas de armazenagem ou estocagem.

Para ativar a garantia, é necessário exibir o documento que comprova a compra.

Para obter assistência, Página: 285.

Dados técnicos

Dados técnicos	Unidade	DXPW 004 E	DXPW 005 E	DXPW 006 E	DXPW 007 E
Caudal	l/min	10	13,5	15	14
Caudal máximo	l/min	-	-	-	-
Pressão	MPa	12	18	15	21
Pressão máxima	MPa	15	20	17	23
Potência	kW	3	5	5	7,4
Temp. alimentação m.x.	°C	60	60	60	60
Pressão máx. de alimentação	MPa	1	1	1	1
Força repulsiva da pistola à pressão máxima	N	24,30	40,10	40,70	44,90
Tipo de óleo da bomba	kg	-	-	-	-
Classe de proteção	-	I/⊕	I/⊕	I/⊕	I/⊕
Isolamento do motor	Class	F	F	F	F
Proteção do motor	-	IPX5	IPX5	IPX5	IPX5
Tensão	V/Hz	230/50 1~	400/50 3~	400/50 3~	400/50 3~
Impedância de rede máxima permitida	Ω	-	-	-	-
Nível de pressão acústica L_{pA} (EN 60704-1) (K = 2,5 dB(A))	dB (A)	82,1	82,5	82,5	83
Nível de poder acústico L_{WA} (EN 60704-1) (K = 2,5 dB(A))	dB (A)	96	96	96	97
Vibrações do aparelho (K = 1 m/s ²):	m/s ²	<2,5	<2,5	<2,5	<2,5
Peso	kg	38	40	40	64

Reservados os direitos a alterações técnicas!

1 INSTRUCȚIUNI DE SIGURANȚĂ

1.1 Aparatul pe care l-ați achiziționat este un produs avansat tehnologic, proiectat de unul din producătorii de vârf din Europa de aparate de spălat cu înaltă presiune. Pentru a obține cele mai bune performanțe de la aparatul dvs., citiți cu atenție această broșură și respectați instrucțiunile de fiecare dată când îl utilizați. Pe durata racordării, utilizării și întreținerii aparatului, luați toate măsurile de precauție posibile pentru a proteja siguranța dvs. și a persoanelor din imediata apropiere. Citiți cu atenție instrucțiunile privind siguranța și respectați-le de fiecare dată; în caz contrar puteți risca sănătatea și siguranța sau puteți cauza daune costisitoare.

2 SIMBOLURI DE SIGURANȚĂ

2.1 Respectați instrucțiunile furnizate prin intermediul semnelor și simbolurilor atașate de aparat și în acest manual.

Aparatul și manualul prezintă numai simbolurile relevante pentru modelul achiziționat. Verificați dacă simbolurile și semnele atașate de aparat sunt întotdeauna prezente și lizibile; în caz contrar, atașați unele de schimb în pozițiile originale.

 Avertizare - Atenție - Pericol

 Vă rugăm să citiți cu atenție aceste instrucțiuni înainte de utilizare.

 Simbolul E2 (dacă apare în manual) - Indică faptul că aparatul este destinat utilizării profesionale, de exemplu pentru persoane cu experiență familiarizate cu factorii tehnici, de reglementare și legislativi relevanți și capabile de a efectua operațiile necesare pentru utilizarea și întreținerea aparatului. Acest aparat nu este destinat a fi utilizat de copii, persoane cu capacități fizice, senzoriale sau mentale reduse, sau persoane lipsite de experiența și cunoștințele necesare.

 Componente în mișcare. Nu atingeți.

0 Poziția „oprit”

I Poziția „pornit”

 Nivelul garantat al puterii acustice



 Semnul de interdicere, informează utilizatorii asupra faptului că este posibil ca reglementările locale să interzică racordarea produsului la sistemul de alimentare cu apă potabilă.



Semnul de pericol, avertizează utilizatorii să nu îndrepte jetul de apă spre persoane, animale, echipamente electrice sau spre aparatul în sine.

 Acest produs este evaluat în clasa de izolație I. Aceasta înseamnă că este echipat cu un conductor de împământare de protecție (numai dacă simbolul există pe aparat).

 Produsul este în conformitate cu directivele europene relevante.



Simbolul E1 - Indică faptul că aparatul **nu trebuie eliminat** împreună cu deșeurile municipale; acesta poate fi predat distribuitorului la achiziția unui aparat nou. Componentele electrice și electronice ale aparatului nu trebuie reutilizate în mod necorespunzător, deoarece conțin substanțe periculoase pentru sănătate.

 Purtați aparători pentru urechi.

 Purtați o mască de protecție.

 Purtați protecție respiratorie.

 Purtați mănuși de protecție.

 Purtați încălțăminte de protecție.

 Purtați îmbrăcăminte de protecție.

3 REGULI DE SIGURANȚĂ/RISURI REZIDUALE

3.1 OPERAȚII INTERZISE

3.1.1 AVERTIZARE. NU permiteți copiilor să utilizeze aparatul; supravegheați copiii pentru a vă asigura că nu se joacă cu acesta.

3.1.2 AVERTIZARE. Jeturile cu înaltă presiune pot fi periculoase dacă sunt utilizate incorect.



- 3.1.3 AVERTIZARE.** NU utilizați aparatul cu lichide inflamabile sau toxice, sau cu orice fel de produse necompatibile cu funcționarea sa corectă. Utilizarea aparatului într-o atmosferă potențial inflamabilă sau explozivă este interzisă.
- 3.1.4 AVERTIZARE. RISC DE EXPLOZIE.** NU utilizați aparatul pentru a pulveriza lichide inflamabile.
- 3.1.5 AVERTIZARE.** NU îndreptați jetul de apă spre persoane sau animale.
- 3.1.6 AVERTIZARE.** NU îndreptați jetul de apă înspre aparat, componente electrice sau alt echipament electric.
- 3.1.7 AVERTIZARE.** NU utilizați aparatul când alte persoane se află în raza sa de acțiune, decât în cazul în care acestea poartă îmbrăcăminte de protecție.
- 3.1.8 AVERTIZARE.** NU îndreptați jetul înspre dvs. înșivă sau alte persoane pentru a curăța îmbrăcăminte sau încălțăminte.
- 3.1.9 AVERTIZARE.** NU utilizați aparatul afară atunci când plouă.
- 3.1.10 ATENȚIE.** NU permiteți copiilor, persoanelor incompetente sau care nu au citit și înțeles instrucțiunile să utilizeze aparatul.
- 3.1.11 AVERTIZARE.** NU atingeți ștecherul și/sau priza cu mâinile ude.
- 3.1.12 ATENȚIE.** NU utilizați aparatul în cazul în care cablul electric este deteriorat. În cazul deteriorării cablului electric, acesta trebuie înlocuit de producător, unul din centrele sale de service autorizate sau persoane calificate în mod similar, pentru a evita pericolul care pot afecta siguranța.
- 3.1.13 AVERTIZARE.** NU utilizați aparatul dacă un cablu de alimentare sau piese importante cum ar fi dispozitive de siguranță, furtunuri de înaltă presiune sau pistolul sunt deteriorate.
- 3.1.14 AVERTIZARE.** NU blocați dispozitivul de deblocare a pistolului în poziția de funcționare.
- 3.1.15 AVERTIZARE.** Verificați dacă plăcuța cu datele de identificare este atașată de aparat; dacă nu este, informați distribuitorul dvs. Aparatele fără plăcuțe NU trebuie utilizate, pentru că nu pot fi identificate și sunt potențial periculoase.
- 3.1.16 AVERTIZARE.** NU umblați și nu efectuați modificări la reglarea supapei de siguranță sau a dispozitivelor de siguranță.
- 3.1.17 AVERTIZARE.** NU modificați diametrul original al duzei capului de pulverizare.
- 3.1.18 AVERTIZARE.** NU mutați aparatul prin tragere de CABLUL ELECTRIC.
- 3.1.19 AVERTIZARE.** Nu permiteți vehiculelor să treacă peste furtunul de înaltă presiune.
- 3.1.20 AVERTIZARE.** NU mutați aparatul prin tragere de furtunul de înaltă presiune.
- 3.1.21 AVERTIZARE.** Când este îndreptat înspre anvelope, supape de anvelopă sau alte componente sub presiune, jetul de înaltă presiune este potențial periculos. Nu utilizați setul duzei rotative și țineți întotdeauna jetul la o distanță de cel puțin 30 cm pe durata curățării.



3.1.22 AVERTIZARE. Este interzisă utilizarea de accesorii neoriginale și piese de schimb care nu sunt destinate în mod special pentru acest model. Modificarea aparatului este interzisă; orice fel de modificare va face Declarația de conformitate nulă și neavenită și va elibera producătorul de orice fel de răspundere în temeiul dreptului civil și penal.

3.2 MĂSURI DE SIGURANȚĂ OBLIGATORII

3.2.1 AVERTIZARE. Toți conductorii electrici **TREBUIE PROTEJAȚI** împotriva jetului de apă.

3.2.2 AVERTIZARE. Racordarea la sursa de alimentare cu curent electric trebuie efectuată de un electrician calificat în conformitate cu IEC 60364-1. Trebuie să se instaleze fie un dispozitiv pentru curent rezidual care va întrerupe alimentarea cu energie în cazul în care curentul de scurgere la pământ depășește 30 mA timp de 30 ms, fie un dispozitiv de întrerupere în caz de defecțiune la împământare.

3.2.3 AVERTIZARE. PE DURATA pornirii, aparatul poate cauza zgomot pe rețea.

3.2.4 AVERTIZARE. Utilizarea unui întrerupător de curent rezidual va oferi protecție suplimentară operatorului (30 mA).

3.2.5 AVERTIZARE. Modelele livrate fără ștecher trebuie instalate de personal calificat.

3.2.6 AVERTIZARE. Utilizați numai cabluri electrice de legătură aprobate cu secțiune transversală corespunzătoare a conductorului.

3.2.7 AVERTIZARE. Opriți întotdeauna comutatorul atunci când lăsați aparatul nesupravegheat.

3.2.8      

AVERTIZARE. Presiunea înaltă poate cauza reculul componentelor: purtați toată îmbrăcămintea și echipamentul de protecție necesare pentru asigurarea siguranței operatorului.

3.2.9 AVERTIZARE. Înainte de a efectua lucrări de reparație la aparat, **SCOATEȚI** ștecherul din priză.

3.2.10 AVERTIZARE. Înainte de a apăsa dispozitivul de deblocare a pistolului, **ȚINEȚI** pistolul bine pentru a contracara reculul.

3.2.11 AVERTIZARE. **RESPECTAȚI** reglementările autorităților locale în domeniul alimentării cu apă. În conformitate cu IEC 60335-2-79, aparatul poate fi racordat la sursa de alimentare cu apă potabilă numai dacă furtunul de alimentare este echipat cu o supapă de reținere de tipul BA, cu posibilitate de scurgere în conformitate cu EN 12729. Supapa de reținere poate fi comandată de la producător.

3.2.12 AVERTIZARE. Apa care trece prin supapele de reținere este considerată a fi nepotabilă.

3.2.13 AVERTIZARE. Întreținerea și/sau repararea componentelor electrice **TREBUIE** efectuată de personal calificat.



- 3.2.14 AVERTIZARE. EVACUAȚI** presiunea reziduală înainte de a deconecta furtunul de la aparat.
- 3.2.15 AVERTIZARE. VERIFICAȚI** înainte de fiecare utilizare și la intervale regulate de timp ca șuruburile să fie complet strânse și să nu existe componente defecte sau uzate.
- 3.2.16 AVERTIZARE. UTILIZAȚI NUMAI** detergenți care nu vor coroda materialele de acoperire ale furtunului de înaltă presiune / cablului electric.
- 3.2.17 AVERTIZARE. ASIGURAȚI-VĂ** că toate persoanele și animalele se află la o distanță minimă de 15m.
- 3.2.18 AVERTIZARE.** Acest aparat este destinat utilizării cu detergenții furnizați sau recomandați de producător. Utilizarea altor detergenți sau substanțe chimice poate reduce în mod negativ nivelul de siguranță al aparatului.
- 3.2.19 AVERTIZARE.** Nu permiteți ca detergenții să intre în contact cu pielea și în special cu ochii! În caz de contact cu ochii, clătiți cu multă apă și solicitați imediat asistență medicală!
- 3.2.20 AVERTIZARE.** Furtunurile de înaltă presiune, fittingurile și racordurile sunt extrem de importante pentru siguranța aparatului. Utilizați numai furtunuri, fittinguri și racorduri recomandate de producător.
- 3.2.21 AVERTIZARE.** Pentru a asigura siguranța aparatului, utilizați numai piese de schimb originale ale producătorului, sau alte piese de schimb aprobate de acesta.
- 3.2.22 AVERTIZARE.** În cazul utilizării unui cablu prelungitor, ștecherul și priza trebuie să fie etanșe.
- 3.2.23 AVERTIZARE.** Cablurile de extensie prelungitoare nepotrivite pot fi periculoase. În cazul utilizării unui cablu prelungitor, acesta trebuie să fie de tipul potrivit pentru utilizare de exterior și conexiunea trebuie păstrată uscată și deasupra solului. Se recomandă utilizarea unui tambur pentru cablul de alimentare care să țină priza la cel puțin 60 mm deasupra solului.
- 3.2.24 AVERTIZARE.** Opriți aparatul și deconectați-l de la sursa de alimentare cu energie înainte de asamblare, curățare, reglare, întreținere, depozitare și transport.
- 3.2.25 AVERTIZARE.** Introduceți setul de curățat conducte până la marcajul roșu înainte de a porni aparatul.



4 INFORMAȚII GENERALE (FIG.1)/PAGINA 3**4.1 Utilizarea manualului**

Manualul este parte integrantă a aparatului și trebuie păstrat pentru consultarea pe viitor. Vă rugăm să îl citiți cu atenție înainte de instalarea/utilizarea unității. Dacă aparatul este vândut, vânzătorul trebuie să înmâneze acest manual noului proprietar împreună cu aparatul.

4.2 Livrarea

Aparatul este livrat parțial asamblat într-o cutie de carton. Pachetul livrat este ilustrat în fig.1.

4.2.1 Documentația livrată împreună cu aparatul

- A1** Manualul de utilizare și de întreținere
- A2** Instrucțiuni de siguranță
- A3** Declarația de conformitate
- A4** Reglementări privind garanția

4.3 Eliminarea ambalajului

Materialele de ambalare nu poluează mediul, dar cu toate acestea trebuie reciclate sau eliminate în conformitate cu legislația în vigoare din țara de utilizare.

5 INFORMAȚII TEHNICE (FIG.1)/PAGINA 3**5.1 Utilizarea preconizată**

Aparatul a fost proiectat pentru utilizarea individuală la curățarea vehiculelor, utilajelor, bărcilor, zidăriei etc., pentru îndepărtarea murdăriei persistente cu ajutorul apei curate și a detergenților chimici biodegradabili.

Motoarele vehiculelor pot fi spălate numai dacă apa murdară este eliminată în conformitate cu reglementările în vigoare.

- Temperatura apei utilizate: **vedeți plăcuța cu date de pe aparat.**
- Presiunea apei utilizate: **min. 0,1 MPa – max. 1 MPa.**
- Temperatura ambientă de funcționare: **peste 0°C.**

Aparatul este conform cu standardele IEC 60335-1 și IEC 60335-2-79.

5.2 Operatorul

Simbolul prezentat în figura 1 identifică operatorul destinat aparatului (profesionist sau neprofesionist).

5.3 Componentele principale

- B2** Țeavă
- B3** Pistol cu zăvor de siguranță
- B4** Cablu electric cu ștecher (la modelele cu această opțiune)
- B5** Furtun de înaltă presiune
- B6** Compartiment pentru detergent (la modelele cu această opțiune)
- B7** Capac pentru ulei (la modelele cu această opțiune)
- E** Duză
- F** Regulator de detergent (la modelele cu această opțiune)
- G** Regulator de presiune (la modelele cu această opțiune)
- H** Dispozitiv de pornire
- L** Filtru de apă

5.3.1 Accesorii (dacă sunt incluse în pachetul de livrare – vedeți fig.1)

- | | |
|---|---|
| C1 Unealtă de curățare a duzei | C9 Adaptor |
| C2 Set duză rotativă | C10 Șuruburi |
| C3 Măner | C11 Console |
| C4 Perie | C12 Măner |
| C5 Tambur pentru furtun | C13 Set pentru detergent |
| C6 Set aspirare apă | C14 Roți |
| C7 Kit para limpeza das tubagens | C15 Tub cu unsoare de lubrefiere |
| C8 Set perie de curățat suprafețe mari | C16 Manometru |
| | C17 Adaptor |

5.4 Dispozitive de siguranță

- Dispozitiv de pornire (**H**)
- Dispozitivul de pornire previne utilizarea accidentală a aparatului.

⚠ Avertizare - pericol!

Nu modificați și nu reglați supapa de siguranță.

- Supapa de siguranță și/sau supapa de limitare a presiunii. Supapa de siguranță este de asemenea o supapă de limitare a presiunii. Atunci când dispozitivul de deblocare a pistolului este eliberat, supapa se deschide și apa recirculă prin orificiul de admi-

sie al pompei sau este evacuată pe sol.

- Supapa termostatului (**D1** unde este montată)
- Dacă temperatura apei depășește temperatura reglată de producător, supapa termostatului evacuează apa fierbinte și absoarbe o cantitate de apă rece egală cu cantitatea de apă evacuată, până la restabilirea temperaturii corecte.
- Zăvorul de siguranță (**D**): previne pulverizarea accidentală a apei.
- Deconectare la suprasarcină: oprește aparatul în caz de suprasarcină.

6 INSTALAREA (FIG.2)/PAGINA 4**6.1 Asamblarea****Avertizare - pericol!**

Toate operațiile de instalare și asamblare trebuie efectuate cu aparatul deconectat de la sursa de alimentare cu energie. Secvența de asamblare este ilustrată în fig.2.

6.2 Montarea capacelor de eliberare a presiunii (la modelele cu această opțiune)

Pentru a preveni scurgerile de ulei, aparatul este livrat cu orificiile de admisie a uleiului sigilate cu capace roșii, care trebuie înlocuite cu capacele de eliberare a presiunii furnizate.

6.3 Montarea duzei rotative

(La modelele cu această opțiune).

Setul duzei rotative asigură o putere de spălare mai mare.

Utilizarea duzei rotative poate cauza o reducere a presiunii cu 25% comparativ cu presiunea obținută cu duza reglabilă. Totuși, setul duzei rotative oferă o putere de spălare mai mare datorită rotirii jetului de apă.

6.4 Conexiunea electrică**Avertizare - pericol!**

Verificați dacă tensiunea și frecvența sursei de alimentare cu energie (V-Hz) corespund cu cele specificate pe plăcuța cu datele de identificare (fig.2).

6.4.1 Utilizarea cablurilor de extensie

Utilizați cabluri și ștechere cu nivelul de protecție „IPX5”. Secțiunea transversală a cablului de extensie trebuie să fie proporțională cu lungimea sa; cu cât acesta este mai lung, cu atât mai mare trebuie să fie secțiunea sa transversală. Vedeți tabelul 1.

6.5 Racordul pentru alimentarea cu apă**Avertizare - pericol!**

Aparatul trebuie alimentat numai cu apă curată sau filtrată. Debitul robinetului de alimentare cu apă trebuie să fie egal cu debitul pompei.

Așezați aparatul cât mai aproape posibil de sistemul de alimentare cu apă.

6.5.1 Puncte de racordare

- Orificiul de ieșire a apei (EVACUARE)
- Orificiul de intrare a apei cu filtru (ADMISIE)

6.5.2 Racordul la sursa de alimentare cu apă

Aparatul poate fi racordat direct la sursa de alimentare cu apă potabilă numai dacă furtunul de alimentare este echipat cu o supapă de reținere în conformitate cu reglementările în vigoare. Aveți grijă ca furtunul să aibă cel puțin Ø 13 mm, să fie rigid și cu o lungime de cel mult 25 m.

6.5.3 Aspirarea apei din recipiente deschise

- 1) Înșurubați furtunul de alimentare cu filtru la orificiul de admisie a apei și introduceți-l în partea de jos a recipientului.
 - 2) Aerisiți aerul din aparat:
 - a) Deșurubați țeava.
 - b) Porniți aparatul și țineți pistolul deschis până când nu mai există bule de aer în apa care iese afară.
 - 3) Oporțiți aparatul și înșurubați țeava la loc.
- Notă: înălțimea maximă de aspirare este 0,5 m. Furtunul de aspirare trebuie montat înainte de utilizare.

7 REGLAJE (FIG.3)/PAGINA 5

- 7.1 Reglarea duzei de pulverizare** (la modelele cu această opțiune)
Debitul de apă este reglat cu ajutorul duzei (E).
- 7.2 Reglarea detergentului**
Pentru a livra detergent la presiunea corectă, puneți duza (E) (acolo unde este montată) pe "■" sau montați setul pentru detergent (C13) (acolo unde este disponibil) așa cum se prezintă.
Cantitatea de detergent livrată este reglată cu ajutorul regulatorului (F).
- 7.3 Reglarea presiunii de lucru** (la modelele cu această opțiune)
Regulatorul (G) este utilizat pentru a regla presiunea de lucru. Presiunea este prezentată pe manometru (acolo unde este montat).

8 INFORMAȚII CU PRIVIRE LA UTILIZAREA APARATULUI (FIG.4)/PAGINA 5**8.1 Comenzi**

- Dispozitiv de pornire (H).

Puneți comutatorul de pornire pe (ON/I) pentru a:

- a) porni motorul (la modelele fără dispozitiv TSS);
- b) pune motorul în poziția gata de pornire (la modelele cu dispozitiv TSS). Dacă există o lumină pilot la dispozitivul de pornire, aceasta ar trebui să se aprindă.

Puneți comutatorul dispozitivului de pornire pe (OFF/O) pentru a opri aparatul.

Dacă există o lumină pilot la dispozitivul de pornire, aceasta ar trebui să se stingă.

- Maneta de comandă a jetului de apă (I).

**Avertizare - pericol!**

Pe durata funcționării, aparatul trebuie poziționat așa cum se prezintă în fig. 4 pe o suprafață fermă, stabilă.

8.2 Pornirea (vedeți fig. 4)

- 1) Deschideți complet robinetul de alimentare cu apă.
- 2) Eliberați zăvorul de siguranță (D).
- 3) Apăsăți dispozitivul de deblocare a pistolului timp de câteva secunde și porniți aparatul prin utilizarea dispozitivului de pornire (ON/I).

**Avertizare - pericol!**

Înainte de a utiliza aparatul, verificați dacă acesta primește apă în mod corect; utilizarea aparatului fără apă duce la deteriorarea acestuia. Nu acoperiți grilele de ventilație atunci când aparatul este în uz.

Modele TSS - La modelele TSS cu sistem automat de întrerupere a debitului:

- în momentul în care dispozitivul de deblocare a pistolului este eliberat presiunea dinamică întrerupe în mod automat motorul;
- în momentul în care dispozitivul de deblocare a pistolului este apăsat scăderea automată a presiunii pornește motorul și presiunea este restabilă după o întârziere foarte scurtă;
- pentru ca TSS să funcționeze în mod corect, toate operațiile de eliberare și apăsare a pistolului trebuie să fie la cel puțin 4-5 secunde distanță.

Pentru a preveni deteriorarea aparatului, nu îl lăsați să funcționeze uscat și verificați dacă este bine alimentat cu apă.

La modelele fără TSS, pentru a preveni deteriorarea aparatului datorită unei creșteri a temperaturii apei, nu întrerupeți jetul de apă mai mult de 5 minute atunci când aparatul funcționează.

8.3 Oprirea

- 1) Puneți comutatorul dispozitivului de pornire pe (OFF/O).
- 2) Apăsăți dispozitivul de deblocare a pistolului și evacuați presiunea reziduală din interiorul conductelor.
- 3) Cuplați zăvorul de siguranță (D).

8.4 Repornirea

- 1) Eliberați zăvorul de siguranță (D).
- 2) Apăsăți dispozitivul de deblocare a pistolului și evacuați aerul rezidual din interiorul conductelor.
- 3) Puneți dispozitivul de pornire pe (ON/I).

8.5 Depozitarea

- 1) Închideți robinetul de alimentare cu apă.
- 2) Evacuați presiunea reziduală din pistol până când toată apa iese afară din aparat.
- 3) Opriți aparatul (OFF/O).
- 4) Scoateți ștecherul din priză.
- 5) Goliți și spălați compartimentul pentru detergent la terminarea sesiunii de lucru. Pentru a spăla rezervorul, utilizați apă curată în loc de detergent.
- 6) Cuplați zăvorul de siguranță al pistolului (D).

8.6 Reumplerea și utilizarea detergentului
Detergentul trebuie livrat prin utilizarea accesoriilor și a procedurilor descrise la punctul 7.3.

Utilizarea unui furtun cu înaltă presiune mai lung decât cel original furnizat împreună cu aparatul, sau utilizarea unui furtun prelungitor suplimentar poate reduce sau poate opri complet aspirarea de detergent.

Umpleți rezervorul (B6) cu detergent înalt biodegradabil.

8.7 Procedura de curățare recomandată

Dizolvați murdăria prin aplicarea detergentului amestecat cu apă pe suprafață cât încă este uscată.

În cazul suprafețelor verticale, lucrați de jos în sus. Lăsați detergentul să acționeze timp de 1-2 minute, dar nu lăsați suprafața să se usuce. Începând din partea de jos, utilizați jetul cu înaltă presiune la o distanță minimă de 30 cm. Nu permiteți curgerea apei pe suprafețele nespălate. În unele cazuri, este nevoie de frecarea cu peria pentru a îndepărta murdăria.

Presiunea ridicată nu este întotdeauna cea mai bună soluție pentru rezultate bune la curățare, deoarece poate deteriora unele suprafețe. Reglarea cea mai fină a jetului duzei reglabile sau duza rotativă nu trebuie utilizată pe componentele delicate sau vopsite, sau pe componentele sub presiune (de exemplu anvelope, supape pentru umflare etc.).

Eficiența curățării depinde atât de presiunea, cât și de volumul de apă utilizat, în aceeași măsură.

9 ÎNTREȚINEREA (FIG.5)/PAGINA 6

Toate operațiile de întreținere care nu sunt prezentate în acest capitol trebuie efectuate la un centru autorizat de vânzări și service.

**Avertizare - pericol!**

Deconectați întotdeauna ștecherul de la priza de alimentare înainte de a efectua orice fel de lucrare la aparat.

9.1 Curățarea duzei

- 1) Deconectați țeava de la duză.
- 2) Îndepărtați toate depunerile de murdărie de la orificiul duzei cu ajutorul unei (C1).

9.2 Curățarea filtrului

Verificați filtrul de alimentare (L) și filtrul pentru detergent (dacă este montat) înainte de fiecare utilizare și curățați în conformitate cu instrucțiunile dacă este necesar.

9.3 Deblocarea motorului (la modelele cu această opțiune)

În caz de întreruperi lungi, depunerile de calcar pot cauza griparea motorului. Pentru a debloca motorul, învărtiți arborele de antrenare cu o unealtă (M).

9.4 Adăugarea de ulei (la modelele cu această opțiune)

Adăugați ulei prin orificiul de admisie pentru a restabili nivelul corect.

Pentru caracteristicile uleiului, consultați tabelul „Date tehnice”. Uleiul trebuie schimbat la fiecare 500 de ore de utilizare.

9.5 Depozitarea la sfârșitul sezonului

Înainte de depozitarea pe durata iernii, lăsați aparatul să funcționeze o perioadă de timp cu antigel necoroziv și netoxic. Puneți aparatul într-un loc uscat, protejat de îngheț.

10 DEPOZITAREA ȘI TRANSPORTUL (FIG. 5)/PAGINA 6

Depozitați accesoriile așa cum se prezintă în fig. 5. Transportați utilajul așa cum se prezintă în fig. 5.

11 DEPARAREA

Problemă	Cauze posibile	Rezolvare
Pompa nu ajunge la presiunea de lucru	Duza uzată	Înlocuiți duza
	Filtru de apă murdar	Curățați filtrul (L) (fig.5)
	Alimentare insuficientă cu apă	Deschideți complet robinetul de alimentare cu apă
	Se absoarbe aer în sistem	Verificați etanșeitatea fittingurilor de furtun
	Aer în pompă	Opriiți aparatul și apăsați și eliberați dispozitivul de deblocare a pistolului până când apa iese afară cu un debit constant. Porniți aparatul din nou.
	Duza reglabilă nu este poziționată în mod corect	Setați duza (E) pe reglarea (+) (fig.3)
Presiunea pompei scade pe durata utilizării buște	Supapa termostatică a declanșat	Așteptați restabilirea temperaturii corecte a apei
	Apa este absorbită de la un recipient deschis aflat la o înălțime mai mare de 0,5 m.	Reduceți înălțimea de aspirare.
	Apa este absorbită de la un recipient extern	Racordați aparatul la sursa de alimentare cu apă
Motorul „băzâie” dar nu reușește să pornească	Apa de alimentare este prea caldă	Reduceți temperatura
	Duza este infundată	Curățați duza (fig.5)
	Filtru de alimentare (L) murdar	Curățați filtrul (L) (fig.5)
	Tensiunea sursei de alimentare cu energie este prea mică	Verificați dacă tensiunea sursei de alimentare cu energie este identică cu cea de pe plăcuță (fig.2)
Motorul nu pornește	Cădere de tensiune datorită utilizării unui cablu de extensie	Verificați caracteristicile cablului de extensie
	Aparatul nu a fost utilizat o perioadă lungă de timp	Contactați cel mai apropiat centru de service autorizat
	Probleme la dispozitivul TSS	Contactați cel mai apropiat centru de service autorizat
Motorul nu pornește	Nu există alimentare electrică	Verificați dacă ștecherul este bine introdus în priză și dacă există tensiune la rețeaua de alimentare (*)
	Probleme la dispozitivul TSS	Contactați cel mai apropiat centru de service autorizat
	Aparatul nu a fost utilizat o perioadă lungă de timp	Cu ajutorul uneltei (M) deblocați motorul prin orificiul din spațele aparatului (la modelele cu această opțiune) (fig. 5)
Scurgeri de apă	Garnituri de etanșare uzate	Înlocuiți garniturile de etanșare la cel mai apropiat centru de service autorizat
	Supapa de siguranță a declanșat și evacuează	Contactați un centru de service autorizat
Aparatul face zgomot	Apă prea caldă	Reduceți temperatura (vedeți datele tehnice)
Scurgeri de ulei	Garnituri de etanșare uzate	Contactați cel mai apropiat centru de service autorizat
Numai la versiunea TSS: aparatul pornește chiar și cu dispozitivul de deblocare a pistolului eliberat	Sistemul cu înaltă presiune sau circuitul pompei nu este etanș	Contactați cel mai apropiat centru de service autorizat
Numai la versiunea TSS: nu este furnizată apă la apăsarea dispozitivului de deblocare a pistolului (cu furtunul de alimentare conectat)	Duza este infundată	Curățați duza (fig.5)
Nu se absoarbe detergent	Duza reglabilă este pe setarea de înaltă presiune	Setați duza (E) pe reglarea " " (fig.3)
	Detergentul este prea dens	Diluati cu apă
	Este utilizată o prelungire a furtunului cu înaltă presiune	Montați furtunul original
	Depuneri sau restricționări în circuitul de detergent	Spălați cu apă curată și eliminați toate restricțiile. Dacă problema persistă, contactați un centru de service autorizat
Apa scapă de la supapa termostaticului	Temperatura apei din interiorul duzei a depășit valoarea maximă nominală menționată pe plăcuța de identificare	Cu aparatul în funcțiune, nu opriiți jetul de apă mai mult de 5 minute la un moment dat

(*) Dacă motorul se oprește și nu repornește pe durata funcționării, așteptați 2-3 minute înainte de a repeta procedura de pornire (a fost declanșată deconectarea la suprasarcină).

Dacă problema apare de mai multe ori, contactați cel mai apropiat centru de service autorizat.



12 CUM SE EVITĂ DETERIORAREA SUPRAFEȚELOR**ATENȚIE**

- 12.1 Utilizarea aparatului pentru spălarea anvelopelor poate duce la deteriorarea acestora și poate fi periculos.
- 12.2 Nu îndreptați niciodată jetul de înaltă presiune direct spre anvelope.
- 12.3 Utilizați întotdeauna aparatul la reglajul cel mai redus al presiunii atunci când curățați în jurul roților și anvelopelor.
- 12.4 Nu utilizați niciodată țeava turbo pentru spălarea niciunei părți a vehiculului.
- 12.5 Pentru mai multe informații consultați secțiunea: „8.7 Procedura de curățare recomandată”.

**Declarație de conformitate CE**

Noi, Annovi Reverberi S.p.A, declarăm faptul că următorul utilaj (următoarele utilaje) De Walt:

Denumirea utilajului	Aparat de spălat cu înaltă presiune			
Model nr.	DXPW 004 E	DXPW 005 E	DXPW 006 E	DXPW 007 E
Puterea nominală	3 kW	5 kW	5 kW	7,4 kW

este conform (sunt conforme) cu următoarele Directive europene:

2006/42/CE, 2014/35/UE, 2011/65/UE, 2015/863/UE, 2012/19/UE, 2014/30/UE și 2000/14/CE

și este fabricat (sunt fabricate) în conformitate cu următoarele standarde sau documente standardizate: EN 60335-1; EN 60335-2-79; EN 55014-1; EN 55014-2; EN 61000-3-2; EN 61000-3-3; EN 61000-3-11; EN 60704-1; EN 62233; EN IEC 63000

Numele și adresa persoanei desemnate a emite dosarul tehnic: Stefano Reverberi / AR Managing Director

Via ML King, 3 - 41122 Modena, Italia

Procedura de evaluare a conformității cerută de Directiva 2000/14/CE a fost efectuată în conformitate cu Anexa V

Model nr.	DXPW 004 E	DXPW 005 E	DXPW 006 E	DXPW 007 E
Nivelul măsurat al puterii acustice:	93,5 dB (A)	93,9 dB (A)	93,9 dB (A)	94,4 dB (A)
Nivelul garantat al puterii acustice:	96 dB (A)	96 dB (A)	96 dB (A)	97 dB (A)

Data: 04.03.2022

MODENA (I)

Stefano Reverberi

Director General

Garanție

Valabilitatea garanției este în conformitate cu legislația relevantă din țara în care este vândut produsul (cu excepția cazului în care se specifică altceva de către producător).

Garanția acoperă defecte de material, construcție și conformitate pe durata perioadei de garanție, perioadă în care producătorul va înlocui subsansamblele defecte și va repara produsul în cazul în care nu este excesiv de uzat, sau îl va înlocui.

Garanția nu acoperă componentele supuse la uzură normală (supapă, piston, garnitură de apă, garnitură de ulei, arcuri, garnituri inelare, accesorii de genul furtun, pistol, perii, roți etc.);

Garanția nu acoperă defecte cauzate de:

- utilizarea necorespunzătoare, greșită, neglijentă,
- închirierea sau utilizarea profesională, dacă produsul a fost vândut pentru uz casnic,
- nerespectarea instrucțiunilor de întreținere prezentate în acest manual,
- reparații efectuate de personal sau centre neautorizate,
- utilizarea de piese sau accesorii neoriginale,
- deteriorarea cauzată de transport, murdărie sau corpuri străine, accidente,
- probleme legate de depozitare.

Pentru a beneficia de garanție, trebuie făcută dovada achiziționării.

Pentru asistență, Pagina: 285.

Date tehnice

Date tehnice	Unitate	DXPW 004 E	DXPW 005 E	DXPW 006 E	DXPW 007 E
Debit	l/min	10	13,5	15	14
Debit maxim	l/min	-	-	-	-
Presiunea	MPa	12	18	15	21
Presiunea maximă	MPa	15	20	17	23
Puterea	kW	3	5	5	7,4
Max. temperatura admisie	°C	60	60	60	60
Presiunea maximă la admisie	MPa	1	1	1	1
Forța de respingere a pistolului la presiunea maximă	N	24,30	40,10	40,70	44,90
Tip de ulei pentru pompă	kg	-	-	-	-
Clasa de protecție	-	II/⊕	II/⊕	II/⊕	II/⊕
Izolația motorului	Clasa	F	F	F	F
Protecția motorului	-	IPX5	IPX5	IPX5	IPX5
Tensiunea	V/Hz	230/50 1~	400/50 3~	400/50 3~	400/50 3~
Impedanța maximă permisă a sistemului electric	Ω	-	-	-	-
Nivelul de presiune acustică L_{pa} (EN 60704-1) (K = 2,5 dB(A))	dB (A)	82,1	82,5	82,5	83
Nivelul de putere acustică L_{wa} (EN 60704-1) (K = 2,5 dB(A))	dB (A)	96	96	96	97
Vibrația aparatului (K = 1 m/s ²):	m/s ²	<2,5	<2,5	<2,5	<2,5
Greutatea	kg	38	40	40	64

Sub rezerva modificărilor tehnice

1 ИНСТРУКЦИИ ПО БЕЗОПАСНОСТИ

- 1.1** Приобретенная вами машина - это высокотехнологичное изделие, выпущенное одним из самых опытных европейских производителей моечных машин высокого давления. Для достижения наилучших результатов мы составили данное руководство, которое следует внимательно прочитать и соблюдать при каждом использовании машины. Во время подключения, эксплуатации и обслуживания машины выполняйте все возможные меры предосторожности для собственной безопасности, а также для безопасности людей, находящихся в непосредственной близости. Внимательно прочитайте и соблюдайте требования безопасности, так как их несоблюдение может поставить под угрозу здоровье и безопасность людей или же нанести материальный ущерб.

2 ОБОЗНАЧЕНИЯ ИНФОРМАЦИИ

- 2.1** Соблюдайте требования табличек и знаков, которые имеются на моечной машине и в данном руководстве.

На моечной машине и в руководстве приводятся лишь только знаки, уместные для приобретенной вами машины. Убедитесь, что имеющиеся на моечной машине знаки и таблички находятся всегда в сохранности и разборчивы. В противном случае замените, устанавливая их в исходное положение.

 Внимание - Опасность

 Внимательно прочитайте эти инструкции до начала использования.

 Значок E2 (если этот значок имеется на рис. 1): обозначает, что моечная машина предназначена для профессионального использования, то есть, для лиц, обладающих опытом, техническими, нормативными и законодательными знаниями, способных выполнять необходимые действия для эксплуатации и обслуживания моечной машины. Данная машина не предназначена для эксплуатации людьми (включая детей) с недостаточными физическими, сенсорными и умственными способностями, а также не имеющими достаточного опыта и знаний.

 Движущиеся органы. Не прикасаться.

0 Выключатель в выключенном положении

I Выключатель во включенном положении

 Гарантированный уровень звуковой мощности



 Запрет, сообщает пользователю, что государственные нормы могут запретить подключение моечной машины к питьевой водопроводной сети.



Сигнал опасности, сообщает пользователю о недопустимости направления струи воды на людей, животных, электрооборудование и на саму моечную машину.

 Это изделие имеет класс изоляции I. Это означает, что оно имеет проводник заземления (только в том случае, если на машине имеется значок).

€ Это изделие соответствует европейским директивам, применимым в этой области.



Значок E1: обозначает обязательство **не утилизировать** моечную машину как городские отходы. Ее можно сдать дистрибьютору в момент покупки новой моечной машины. Электрические и электронные части, из которых состоит моечная машина, не должны использоваться в непредназначенных целях ввиду наличия вредных для здоровья веществ.

 Надевайте шумозащитные наушники.

 Надевайте защитную маску.

 Надевайте защитные средства для органов дыхания.

 Надевайте защитные перчатки.

 Надевайте спецобувь.

 Надевайте спецодежду.



3 ТРЕБОВАНИЯ ПО БЕЗОПАСНОСТИ/ОСТАТОЧНАЯ ОПАСНОСТЬ**3.1 МЕРЫ ПРЕДОСТОРОЖНОСТИ: ЗАПРЕТЫ**

- 3.1.1 ВНИМАНИЕ.** Не позволяйте детям пользоваться моечной машиной, следите за ними, чтобы они не стали играть с ней.
- 3.1.2 ВНИМАНИЕ.** Струи под давлением могут быть опасными в случае неправильного пользования ими.
- 3.1.3 ВНИМАНИЕ.** НЕ используйте моечную машину с воспламеняющимися, токсичными жидкостями или же если их характеристики несовместимы с исправной работой машины. Запрещается использовать моечную машину в потенциально пожароопасной или взрывоопасной атмосфере.
- 3.1.4 ВНИМАНИЕ. ОПАСНОСТЬ ВЗРЫВА.** НЕ распыляйте воспламеняющиеся жидкости.
- 3.1.5 ВНИМАНИЕ.** НЕ направляйте струю воды на людей или на саму моечную машину.
- 3.1.6 ВНИМАНИЕ.** НЕ направляйте струю воды на моечную машину, электрические части или же на другое электрическое оборудование.
- 3.1.7 ВНИМАНИЕ.** НЕ используйте моечную машину в радиусе, в котором находятся люди без спецодежды.
- 3.1.8 ВНИМАНИЕ.** НЕ направляйте струю на себя или на других людей для очистки одежды или обуви.
- 3.1.9 ВНИМАНИЕ.** НЕ используйте моечную машину на открытом воздухе, если идет дождь.
- 3.1.10 ВНИМАНИЕ.** Моечная машина НЕ может использоваться детьми, людьми с ограниченными способностями, а также теми, кто не прочитал и не усвоил данные инструкции.
- 3.1.11 ВНИМАНИЕ.** НЕ прикасайтесь к вилке и/или розетке мокрыми руками.
- 3.1.12 ВНИМАНИЕ.** НЕ пользуйтесь моечной машиной, если поврежден электрический кабель. Если электрический кабель поврежден, то он должен заменяться силами производителя, официального сервисного центра или же лицами с аналогичной квалификацией, чтобы исключить возможную опасность.
- 3.1.13 ВНИМАНИЕ.** Не используйте машину, если кабель питания или такие важные ее части, как, например, устройства безопасности, шланги высокого давления, пистолет являются поврежденными.
- 3.1.14 ВНИМАНИЕ.** НЕ блокируйте рычаг пистолета в рабочем положении.



- 3.1.15 ВНИМАНИЕ.** Проверяйте, чтобы машина имела паспортную табличку с характеристиками. В случае ее отсутствия обращайтесь к дилеру. Моечные машины без паспортной таблички НЕ должны эксплуатироваться, поскольку они становятся неидентифицируемыми и потенциально опасными.
- 3.1.16 ВНИМАНИЕ.** НЕ нарушайте и не изменяйте настройку регулировочного клапана и предохранительных устройств.
- 3.1.17 ВНИМАНИЕ.** НЕ изменяйте исходный диаметр струи форсунки.
- 3.1.18 ВНИМАНИЕ.** НЕ тяните за ЭЛЕКТРИЧЕСКИЙ КАБЕЛЬ для перемещения моечной машины.
- 3.1.19 ВНИМАНИЕ.** Не допускайте движение транспортных средств по шлангу высокого давления.
- 3.1.20 ВНИМАНИЕ.** НЕ тяните за шланг высокого давления для перемещения моечной машины.
- 3.1.21 ВНИМАНИЕ.** Струя высокого давления, направленная на шины, клапаны шин или другие компоненты под давлением, вызывает потенциальную опасность. Избегайте использование вращающейся форсунки и поддерживайте расстояние до форсунки не менее 30 см во время чистки.
- 3.1.22 ВНИМАНИЕ.** Запрещается использовать нефирменные принадлежности, не имеющие специального предназначения для данной модели. Запрещается вносить изменения в конструкцию машины. Внесение изменений отменяет действие декларации соответствия и освобождает изготовителя от гражданской и уголовной ответственности.
- 3.2 МЕРЫ ПРЕДОСТОРОЖНОСТИ: ОБЯЗАТЕЛЬСТВА**
- 3.2.1 ВНИМАНИЕ.** Все токопроводящие части ДОЛЖНЫ БЫТЬ ЗАЩИЩЕНЫ от струй воды.
- 3.2.2 ВНИМАНИЕ.** Электрическое подключение должно быть выполнено квалифицированным электриком, в соответствии с нормой IEC 60364-1. Рекомендуется предусмотреть дифференциальный выключатель, отключающий питание данной машины, если рассеиваемый на землю ток превышает 30 мА в течение 30 мс, или же предусмотреть устройство контроля системы заземления.
- 3.2.3 ВНИМАНИЕ.** В МОМЕНТ запуска машина может создавать помехи в сети.
- 3.2.4 ВНИМАНИЕ.** Подключение через защитный дифференциальный выключатель обеспечивает индивидуальную защиту (30 мА).



- 3.2.5 **Внимание.** Модели, не оборудованные вилкой, должны устанавливаться квалифицированным персоналом.
- 3.2.6 **Внимание.** Используйте лишь только разрешенные электрические удлинители с необходимым сечением проводников.
- 3.2.7 **Внимание.** Всегда выключайте выключатель, когда вы оставляете машину без присмотра.
- 3.2.8      
- Внимание.** Высокое давление может вызвать отскок частей. Используйте одежду и средства защиты (СИЗ), которые обеспечат безопасность оператора.
- 3.2.9 **Внимание.** Перед выполнением работ на машине **ВНИМАЙТЕ** вилку из розетки.
- 3.2.10 **Внимание.** По причине отдачи надежно **ДЕРЖИТЕ** пистолет, когда вы нажимаете на рычаг.
- 3.2.11 **Внимание.** **СОБЛЮДАЙТЕ** указания местного водоканала. В соответствии со стандартом IEC 60335-2-79 моечная машина может быть подключена непосредственно к городской водопроводной сети питьевой воды лишь только в том случае, если на трубе питания установлено запорное противозвратное устройство со сливом типа ВА, соответствующее стандарту EN 12729. Запорное противозвратное устройство может быть заказано у производителя.
- 3.2.12 **Внимание.** Вода, попавшая в противозвратные устройства, считается непитьевой.
- 3.2.13 **Внимание.** Обслуживание и/или ремонт электрических компонентов **ДОЛЖЕН** производиться силами квалифицированного персонала.
- 3.2.14 **Внимание.** Перед отключением шланга от моечной машины **СБРАСЫВАЙТЕ** давление.
- 3.2.15 **Внимание.** Перед каждым использованием, а также периодически **ПРОВЕРЯЙТЕ** затяжку болтов и исправное состояние компонентов машины, проверяйте отсутствие сломанных или изношенных частей.
- 3.2.16 **Внимание.** **ИСПОЛЬЗУЙТЕ** только те моющие средства, которые совместимы с облицовочными материалами шланга высокого давления/электрического кабеля.



- 3.2.17 ВНИМАНИЕ.** ДЕРЖИТЕ людей или животных на расстоянии минимум 15 м.
- 3.2.18 ВНИМАНИЕ.** Данная машина была разработана для эксплуатации с поставляемыми или рекомендованными производителем моющими средствами. Использование иных моющих средств или химических продуктов может отрицательно сказаться на безопасности машины.
- 3.2.19 ВНИМАНИЕ.** Не допускайте попадания моющего средства на кожу, в особенности в глаза! В случае попадания в глаза промойте их чистой водой и немедленно обратитесь за медицинской помощью!
- 3.2.20 ВНИМАНИЕ.** Шланги высокого давления, соединения и муфты - это важные компоненты для безопасности машины. Используйте лишь только шланги высокого давления, соединения и муфты, рекомендованные производителем.
- 3.2.21 ВНИМАНИЕ.** В целях безопасности машины используйте лишь только фирменные запасные части производителя или же одобренные им.
- 3.2.22 ВНИМАНИЕ.** При использовании удлинителя его вилка и розетка должны быть водонепроницаемыми.
- 3.2.23 ВНИМАНИЕ.** Несоответствующие удлинительные кабели могут быть опасными. Если используется удлинительный кабель, то выберите такой тип, который будет пригоден для использования на улице, а также убедитесь, что точка соединения находится в сухом месте и на расстоянии от земли. В этих целях рекомендуется использовать наматыватель кабеля, который будет удерживать розетку на расстоянии не менее 60 мм от земли.
- 3.2.24 ВНИМАНИЕ.** Всегда выключайте машину и отключайте ее от источника питания перед выполнением монтажа, чистки, регулировки, обслуживания, складирования и перевозки.
- 3.2.25 ВНИМАНИЕ.** Вставьте аксессуар для чистки труб до красной отметки перед тем, как включить моечную машину.



4 ОБЩАЯ ИНФОРМАЦИЯ (РИС. 1)/СТРАНИЦА 3

4.1 Пользование руководством

Данное руководство является неотъемлемой частью машины. Сохраните его для пользования им в будущем. Внимательно прочитайте его перед установкой или эксплуатацией. В случае перехода собственности на машину старый владелец обязан передать руководство новому владельцу.

4.2 Поставка

Машина поставляется в картонной коробке в частично разобранном состоянии.

Состав поставки изображен на рис.1.

4.2.1 Сопроводительная документация

- A1** Руководство по эксплуатации и обслуживанию
- A2** Инструкции по безопасности
- A3** Декларация соответствия
- A4** Гарантийные положения

4.3 Утилизация упаковок

Материалы, из которых выполнена упаковка, не загрязняют окружающую среду, тем не менее, они должны перерабатываться или утилизироваться в соответствии с действующими в стране назначения правилами.

5 ОБЩАЯ ИНФОРМАЦИЯ (РИС. 1)/СТРАНИЦА 3

5.1 Предусмотренная эксплуатация

Данная машина предназначена для бытовой мойки автомашин, машин, плавсредств, каменной кладки и т.д., для удаления стойких загрязнений с помощью чистой воды и биоразлагающих химических моющих средств.

Мойка двигателей транспортных средств разрешается лишь только в том случае, если грязная вода собирается для переработки согласно действующим нормам.

- Температура воды на входе: **см. паспортную табличку на машине.**

- Давление воды на входе: **мин. 0,1 МПа, макс. 1 МПа.**

- Рабочая температура окружающей среды: **выше 0°C.**

Машина соответствует стандартам IEC 60335-1 и IEC 60335-2-79.

5.2 Оператор

Для определения типа оператора, который может использовать моечную машину (профессиональный или непрофессиональный) см. значок, изображенный на рис. 1.

5.3 Основные узлы

- B2** Струйная трубка
- V3** Пистолет с предохранителем
- V4** Электрический кабель с вилкой (если предусматривается)
- V5** Шланг высокого давления
- V6** Бачок моющего средства (если предусматривается)
- V7** Пробка бачка для масла (если предусматривается)
- E** Форсунка
- F** Регулятор моющего средства (если предусматривается)
- G** Регулятор давления (если предусматривается)
- H** Выключатель
- L** Фильтр воды

5.3.1 Аксессуары (если предусматриваются поставкой - см. рис. 1)

- | | |
|--|---------------------------------------|
| C1 Инструмент для чистки форсунок | C9 Переходник |
| C2 Вращающаяся форсунка | C10 Крепеж |
| C3 Ручка | C11 Кронштейны |
| C4 Щетка | C12 Ручка |
| C5 Наматыватель шланга | C13 Аксессуар для колеса |
| C6 Аксессуар для сбора воды | C14 Коляска |
| C7 Аксессуар для чистки труб | C15 Тюбик консистентной смазки |
| C8 Щетка-аксессуар для больших поверхностей | C16 Манометр |
| | C17 Переходник |

5.4 Средства защиты

- Выключатель (H)

Выключатель не допускает случайного использования моечной машины.

⚠ Внимание, опасность!

Не нарушайте и не изменяйте настройку предохранительного клапана.

- Предохранительный и/или ограничительный клапан давления. Предохранительный клапан является также ограничительным клапаном давления. Когда закрывается пистолет, клапан открывается и вода возвращается через линию всасывания насоса или же сливается на пол.
- Термостатический клапан (D1 там, где предусматривается) Если температура воды превышает предусмотренную изготовителем температуру, термостатический клапан сбрасывает горячую воду и забирает количество холодной воды, которое равно количеству сброшенной воды вплоть до восстановления правильной температуры.
- Предохранитель (D): предотвращает случайную подачу воды.
- Тепловая защита: в случае перегрузки тепловая защита остановит работу моечной машины.

6 УСТАНОВКА (РИС. 2)/СТРАНИЦА 4

6.1 Монтаж

⚠ Внимание, опасность!

Все операции по установке и монтажу должны выполняться, когда машина отключена от электрической сети. Последовательность монтажа приводится на рис. 2.

6.2 Установка воздушных пробок (если предусматриваются)

Для предотвращения утечек масла машина поставляется с заливными горловинами масла, закрытыми пробками красного цвета, которые должны быть заменены воздушными пробками, входящими в поставку.

6.3 Монтаж вращающейся форсунки

(Для моделей, которые оборудуются ею).

Комплект вращающейся форсунки обеспечивает большую мощность мойки.

Использование вращающейся форсунки может совпасть с падением давления, равным 25% по сравнению с давлением, полученным при использовании регулируемой форсунки. Тем не менее, ее использование позволяет получать более высокую мощность мойки благодаря эффекту вращения, придаваемому струе воды.

6.4 Электрическое подключение

⚠ Внимание, опасность!

Убедитесь, что электрическая сеть соответствует напряжению и частоте (В - Гц), указанным на паспортной табличке (рис. 2).

6.4.1 Использование удлинительных кабелей

Используйте кабели и вилки со степенью защиты "IPX5". Сечение удлинительных кабелей должно быть пропорционально их длине. Чем длиннее кабель, тем больше должно быть сечение. См. таблицу 1.

6.5 Подключение воды

⚠ Внимание, опасность!

Используйте лишь только фильтрованную или чистую воду. Водопроводный кран должен обеспечивать объем подачи, равный производительности насоса. Разместите моечную машину как можно ближе к точке подключения водопроводной сети.

6.5.1 Соединительные штуцеры

- Выход воды (OUTLET)
- Вход воды с фильтром (INLET)

6.5.2 Подключение к городской водопроводной сети

Моечная машина может быть подключена непосредственно к городской водопроводной сети питьевой воды лишь только в том случае, если в трубе питания установлено запорное противозовратное устройство со сливом, соответствующее действующим нормам. Убедитесь, что диаметр шланга не менее 13 мм, что шланг усилен, а его длина не превышает 25 м.

6.5.3 Всасывание воды из открытых емкостей

- 1) Привинтите всасывающий шланг с фильтром к входному штуцеру (INLET) и опустите его до дна емкости.
- 2) Выпустите воздух из машины:
 - a) Отвинтите струйную трубку.
 - b) Включите машину и откройте пистолет до тех пор,

пока не будет выходить вода без пузырей воздуха.
 3) Выключите машину и привинтите струйную трубку.
 Примечание: максимальная разница уровня всасыва-
 ния составляет 0,5 м. Рекомендуется заполнить всасы-
 вающий шланг перед использованием.

7 РЕГУЛИРОВКА (РИС. 3)/СТРАНИЦА 5

- 7.1 Регулировка форсунки** (если предусматривается)
 Вращайте форсунку (E) для регулировки струи воды.
- 7.2 Регулировка подачи моющего средства**
 Для подачи моющего средства под правильным давлением переключите форсунку (E) (если предусматривается) в положение "■" или же установите аксессуар для моющего средства (C13) (если предусматривается), как показано на рисунке.
 Воспользуйтесь регулятором (F) для дозировки количества подаваемого моющего средства (если предусматривается).
- 7.3 Регулировка рабочего давления** (если предусматривается)
 Воспользуйтесь регулятором (G) для изменения рабочего давле-
 ния. Давление указывается на манометре (при наличии).

8 СВЕДЕНИЯ ПО ЭКСПЛУАТАЦИИ (РИС. 4)/СТРАНИЦА 5

8.1 Органы управления

- Выключатель (H).
- Переведите выключатель в положение (ON/I), чтобы:
 - a) включить двигатель (в моделях без устройства TSS);
 - b) подготовить двигатель к работе (в моделях с устройством TSS).
 Если выключатель оборудован световым индикатором, то он должен загореться.
 Переведите выключатель в положение (OFF/0), чтобы остановить работу машины.
 Если выключатель оборудован световым индикатором, то он должен погаснуть.
 - Рычаг управления подачей воды (I).



Внимание, опасность!

Моечная машина должна работать, находясь на прочной и устойчивой поверхности, в положении, показанном на рис. 4.

8.2 Запуск (см. рис. 4)

- 1) Полностью откройте водопроводный кран.
- 2) Снимите пистолет с предохранителя (D).
- 3) Откройте пистолет на несколько секунд и включите машину выключателем (ON/I).



Внимание, опасность!

Перед включением моечной машины убедитесь, что она правильно питается водой. Работа всухую повреждает машину. Во время работы не закрывайте вентиляционные решетки.

Модели TSS - В моделях TSS с автоматическим прекращением подачи: - закрывая пистолет, динамическое давление автоматически выключает электродвигатель;

- открывая пистолет, падение давления автоматически запускает двигатель и давление создается с небольшой задержкой;
- для исправной работы TSS операции закрытия и открытия писто-
 лета не должны выполняться с промежутками времени менее 4-5 секунд.

Для предотвращения повреждений машины не допускайте ее работы всухую и проверяйте, чтобы машина всегда правильно питалась водой.

Чтобы предотвратить повреждение моделей моечной машины без TSS, вызванное повышением температуры воды, во время работы машины не выключайте струю воды более чем на 5 минут.

8.3 Остановка

- 1) Переведите выключатель в положение (OFF/0).
- 2) Откройте пистолет и сбросьте давление в шлангах.
- 3) Поставьте пистолет на предохранитель (D).

8.4 Повторный запуск

- 1) Снимите пистолет с предохранителя (D).
- 2) Откройте пистолет и выпустите воздух, имеющийся в шлангах.
- 3) Переведите выключатель в положение (ON/I).

8.5 Прекращение использования

- 1) Закройте водопроводный кран.

- 2) Сбросьте остаточное давление при помощи пистолета, чтобы вся вода вышла из машины.
- 3) Выключите моечную машину (OFF/0).
- 4) Выньте вилку из розетки.
- 5) После работы опорожните и промойте бак моющего средства. Для промывки бака используйте чистую воду вместо моющего средства.

- 6) Поставьте пистолет на предохранитель (D).

8.6 Заправка и использование моющим средством
**Моющее средство должно подаваться при помощи аксессу-
 аров, способами, предусмотренными в пункте 7.3.**

Использование более длинного шланга высокого давления, чем входящий в комплект с моечной машиной, или же использование дополнительного удлинительного шланга может уменьшить или полностью прекратить всасывание моющего средства из бачка (если предусматривается).

Наполните бачок (B6) моющим средством с высокой биораз-
 лагаемостью.

8.7 Рекомендации по правильной мойке

Растворите грязь, нанося на сухую поверхность моющее сред-
 ство. На вертикальных поверхностях действуйте снизу вверх. Оставьте на 1-2 минуты, не высушая поверхность. Работайте струей высокого давления с расстояния более 30 см, начиная сверху. Не допускайте, чтобы вода промывки стекла на невымы-
 тые поверхности.

В некоторых случаях для удаления грязи необходимо механиче-
 ское действие моющих щеток.

Высокое давление не всегда является наилучшим решением для качественной мойки, так как может повредить некоторые поверхности. Не рекомендуется использовать игольчатую струю регулируемой форсунки и вращающуюся форсунку на легко повреждаемых и окрашенных поверхностях, а также на компо-
 нентах под давлением (напр., шинax, клапанах накачивания...). Хорошее моющее действие зависит в равной степени от давле-
 ния и объема воды.

9 ОБСЛУЖИВАНИЕ (РИС. 5)/СТРАНИЦА 6

Все операции обслуживания, не описанные в данной главе, должны выполняться в официальном сервисном центре.



Внимание, опасность!

Перед выполнением любых работ на машине выньте вилку из сетевой розетки.

9.1 Чистка форсунки

- 1) Снимите струйную трубку с пистолета.

9.2 Чистка фильтра

Проверьте всасывающий фильтр (L) и фильтр моющего средства (если предусматривается) до каждого использования и в случае необходимости выполните чистку, как указывается.

9.3 Разблокировка двигателя (если предусматривается)

В случае продолжительных остановок известковые отложения могут вызвать блокировку двигателя. Для разблокировки двига-
 теля проверните вал двигателя инструментом (M).

9.4 Долив масла (если предусматривается)

Долите масло через заливное отверстие вплоть до восстано-
 вления правильного уровня.

Характеристики масла см. в таблице "Технические данные".

Рекомендуется заменять масло через каждые 500 часов работы.

9.5 Хранение

Перед помещением на зимнее хранение включите моечную
 машину, используя неедкий и нетоксичный антифриз.

Поместите машину в сухое и защищенное от мороза место.

10 ХРАНЕНИЕ И ПЕРЕВОЗКА (РИС. 5)/СТРАНИЦА 6

Храните аксессуары так, как предусматривается на рис. 5.

Перевозите машину так, как предусматривается на рис. 5.

11 ИНФОРМАЦИЯ О НЕИСПРАВНОСТЯХ

Неисправности	Возможные причины	Способы устранения
Насос не достигает предусмотренного давления	Изношена форсунка	Замените форсунку
	Водяной фильтр засорен	Очистите фильтр (L) (рис. 5)
	Недостаточное давление воды	Полностью откройте кран
	Попадание воздуха	Проверить соединения
	Воздух в насосе	Выключите машину и включите пистолет до выхода сплошной струи. Включите моечную машину.
	Форсунка неправильно отрегулирована	Переведите форсунку (E) в положение (+) (рис. 3)
	Срабатывание термостатического клапана	Дождитесь восстановления правильной температуры воды
Насос обнаруживает скачки давления	Высота всасывания из открытой емкости превышает 0,5 м	Уменьшите высоту всасывания
	Всасывание воды из внешнего резервуара	Подключите машину к водопроводной сети
	Температура воды на входе слишком высокая	Понижьте температуру
	Форсунка засорена	Очистите форсунку (рис. 5)
Двигатель гудит, но не запускается	Всасывающий фильтр (L) грязный	Очистите фильтр (L) (рис. 5)
	Недостаточное напряжение сети	Убедитесь, что напряжение сети соответствует паспортному (рис. 2)
	Потеря напряжения, вызванная удлинителем	Проверьте характеристики удлинителя
	Продолжительный простой моечной машины	Обратитесь в официальный сервисный центр
Электродвигатель не запускается	Проблемы с устройством TSS	Обратитесь в официальный сервисный центр
	Отсутствие напряжения	Проверьте наличие напряжения в сети и убедитесь, что вилка правильно вставлена (*)
	Длительный простой моечной машины	Разблокируйте двигатель инструментом (M) через заднее отверстие (для моделей, где это предусматривается) (рис. 5)
Утечка воды	Уплотнения изношены	Замените уплотнения в официальном сервисном центре
	Срабатывание предохранительного клапана со свободным сбросом	Обратитесь в официальный сервисный центр
Шум	Слишком высокая температура воды	Понижьте температуру (см. технические данные)
Утечка масла	Уплотнения изношены	Обратитесь в официальный сервисный центр
Только для TSS: машина включается несмотря на закрытый пистолет	Нарушена герметичность в системе высокого давления или в контуре насоса	Обратитесь в официальный сервисный центр
Только для TSS: нажав рычаг пистолета, вода не вытекает (при подключенном шланге питания)	Форсунка засорена	Очистите форсунку (рис. 5)
Не всасывается моющее средство	Положение регулируемой форсунки на высоком давлении	Переведите форсунку (E) в положение "■" (рис. 3)
	Слишком густое моющее средство	Разбавьте водой
	Использование удлинителей шланга высокого давления	Восстановите исходный шланг
	Контур моющего средства засорен или пережат	Промойте чистой водой и уберите пережатые участки Если проблема не устранилась, обратитесь в официальный сервисный центр.
Вытекание воды из термостатического клапана	Температура воды в головке превысила макс. значение, указанное на табличке данных.	Не отключайте струю воды при работающей машине более чем на 5 минут.

(*) Если во время работы двигатель останавливается и больше не запускается, то подождите 2-3 минуты перед запуском (срабатывание тепловой защиты).

Если неисправность повторяется несколько раз, то обратитесь в сервисный центр.



12 КАК НЕ ИСПОРТИТЬ ПОВЕРХНОСТИ



ВНИМАНИЕ

- 12.1 Использование моечной машины для мойки шин может нанести ущерб шинам и стать опасным.
- 12.2 Не направляйте струю высокого давления непосредственно на шину.
- 12.3 Используйте моечную машину с более низким давлением, когда мойка выполняется рядом с колесами и шинами.
- 12.4 Никогда не используйте "Струйную трубку turbo" для мойки каких-либо частей транспортного средства.
- 12.5 Более подробную информацию читайте в разделе: "8.7 Рекомендации по правильной мойке".



Декларация соответствия ЕС

Мы, компания Annovi Reverberi S.p.A., г. Модена, Италия, заявляем, что нижеуказанная(ые) машина(ы) De Walt:

Наименование машины	Моечная машина высокого давления			
№ модели	DXPW 004 E	DXPW 005 E	DXPW 006 E	DXPW 007 E
Потребляемая мощность	3 кВт	5 кВт	5 кВт	7,4 кВт

соответствует(ют) следующим европейским директивам:

2006/42/EC, 2014/35/EU, 2011/65/EU, 2015/863/EU, 2012/19/EU, 2014/30/EU, 2000/14/EC (Закон-Декрет 262/2002).

и производится(ятся) с соблюдением следующих норм или стандартизированных документов:

EN 60335-1; EN 60335-2-79; EN 55014-1; EN 55014-2; EN 61000-3-2; EN 61000-3-3; EN 61000-3-11; EN 60704-1; EN 62233; EN IEC 63000

ФИО и адрес лица, уполномоченного на выдачу технического досье: Стефано Ревербери / Управляющий директор AR

Via ML King, 3 - 41122 Modena, Италия

Процедура оценки соответствия, требуемая директивой 2000/14/EC, была выполнена с соблюдением Приложения V

№ модели	DXPW 004 E	DXPW 005 E	DXPW 006 E	DXPW 007 E
Измеренный уровень звуковой мощности :	93,5 дБ(А)	93,9 дБ(А)	93,9 дБ(А)	94,4 дБ(А)
Гарантированный уровень звуковой мощности:	96 дБ(А)	96 дБ(А)	96 дБ(А)	97 дБ(А)

Дата : 04.03.2022

МОДЕНА (ИТАЛИЯ)

Стефано Ревербери

Stefano Reverberi
Управляющий директор

ГАРАНТИЯ

Действие гарантии регулируется нормами, действующими в стране, в которой продается изделие (при отсутствии других указаний производителя). Если изделие обнаруживает дефекты качества материалов, изготовления или же несоответствие в течение гарантийного периода, то изготовитель гарантирует замену дефектных деталей, выполняет ремонт изделий, если они имеют умеренный износ, или же их замену.

Гарантия не распространяется на компоненты, подверженные естественному износу (клапан, поршень, уплотнение для воды, уплотнение для масла, пружины, уплотнительные кольца, аксессуары, такие как шланг, пистолет, щетки, колеса и т.д.);

Гарантия не распространяется на дефекты, вызванные или ставшие результатом:

- неправильной эксплуатации, недопустимого использования, небрежности,
- профессионального использования или аренды, если изделие было продано для непрофессионального использования,
- несоблюдения правил обслуживания, предусмотренных в этом руководстве,
- ремонта, выполненного неуполномоченным персоналом или центрами,
- использования нефирменных запасных частей или аксессуаров,
- ущерба, вызванного перевозкой, посторонними предметами или веществами, авариями,
- проблем со складированием или хранением.

Для активации гарантии необходимо предъявить документ, подтверждающий факт покупки.

Для получения обслуживания, Страница: 285.

Технические данные

Технические данные	Единица	DXPW 004 E	DXPW 005 E	DXPW 006 E	DXPW 007 E
Производительность	л/мин	10	13,5	15	14
Максимальная производительность	л/мин	-	-	-	-
Давление	МПа	12	18	15	21
Максимальное давление	МПа	15	20	17	23
Мощность	кВт	3	5	5	7,4
Максимальная температура питания	°С	60	60	60	60
Максимальное давление питания	МПа	1	1	1	1
Сила оттапливания пистолета при максимальном давлении	Н	24,30	40,10	40,70	44,90
Тип масла насоса	кг	-	-	-	-
Класс защиты	-	I/⊕	I/⊕	I/⊕	I/⊕
Изоляция двигателя	Класс	F	F	F	F
Степень защиты двигателя	-	IPX5	IPX5	IPX5	IPX5
Напряжение	В/Гц	230/50 1~	400/50 3~	400/50 3~	400/50 3~
Максимальное разрешенное сетевое сопротивление	Ω	-	-	-	-
Уровень звукового давления L_{pA} (EN 60704-1) (K = 2,5 дБ(A))	дБ (A)	82,1	82,5	82,5	83
Уровень звуковой мощности L_{WA} (EN 60704-1) (K = 2,5 дБ(A))	дБ (A)	96	96	96	97
Вибрация прибора (K = 1 м/с ²):	м/с ²	<2,5	<2,5	<2,5	<2,5
Вес	кг	38	40	40	64

С сохранением права на внесение технических изменений!

1 BEZPEČNOSTNÉ POKYNY

- 1.1** Zariadenie, ktoré ste si zakúpili, je technologicky vyspelý produkt skonštruovaný jedným z popredných európskych výrobcov vysokotlakových čističov. Ak chcete, aby zariadenie dosiahlo čo možno najlepší výkon, pozorne si prečítajte tento návod a postupujte podľa pokynov zakaždým, keď ho používate. Počas pripájania, používania a servisu spotrebiča urobte všetky možné opatrenia na ochranu svojej vlastnej bezpečnosti a bezpečnosti ľudí v bezprostrednej blízkosti. Pozorne si prečítajte bezpečnostné predpisy a dodržiavajte ich pri každej činnosti. V opačnom prípade môžete ohroziť zdravie a bezpečnosť a spôsobiť škody spojené s vysokými nákladmi.

2 BEZPEČNOSTNÉ ZNAČKY

- 2.1** Dodržujte pokyny uvedené pomocou bezpečnostných značiek a symbolov na zariadení a v tomto návode.

Na zariadení a v návode sú uvedené len symboly týkajúce sa zakúpeného modelu. Skontrolujte, či sú symboly a značky umiestnené na zariadení vždy prítomné a čitateľné; v opačnom prípade namontujte náhradné diely do pôvodnej polohy.

 Upozornenie – Varovanie – Nebezpečenstvo

 Pred použitím si, prosím, pozorne prečítajte tento návod.

 Symbol E2 (ak sa symbol vyskytuje v návode) – signalizuje, že zariadenie je určené na profesionálne použitie, t.j. pre skúsené osoby, oboznámené s príslušnými technickými, regulačnými a právnymi faktormi a schopné vykonávať činnosti spojené s používaním a údržbou zariadenia. Toto zariadenie nie je určené na použitie deťmi, osobami so zníženými telesnými, zmyslovými alebo duševnými schopnosťami alebo bez potrebných skúseností a znalostí.

 Pohyblivé časti. Nedotýkajte sa.

0 Poloha vypínača „vypnuté“

I Poloha vypínača „zapnuté“

 Zaručená hladina akustického výkonu



 Značka zákazu informuje používateľa o tom, že miestne predpisy môžu zakazovať pripojenie výrobku do systému zásobovania pitnou vodou.



Značka nebezpečenstva varuje používateľa, aby nemieril prúdom vody na osoby, zvieratá, elektrické zariadenia alebo samotný výrobok.

 Tento produkt je zaradený do triedy izolácie I. To znamená, že je vybavený ochranným uzemňovacím vodičom (iba ak je symbol uvedený na zariadení).

 Tento produkt je v súlade s príslušnými európskymi smernicami.



Symbol E1 – znamená, že zariadenie **nesmie byť likvidované** ako komunálny odpad; môže byť odovzdané predajcovi pri kúpe nového zariadenia. Elektrické a elektronické diely zariadenia sa nesmú opätovne používať na nesprávne účely, pretože obsahujú látky, ktoré sú zdraviu nebezpečné.

 Používajte chrániče sluchu.

 Používajte ochrannú masku.

 Používajte ochranu dýchacích ciest.

 Používajte ochranné rukavice.

 Používajte bezpečnostnú obuv.

 Používajte ochranný odev.



3 BEZPEČNOSTNÉ PRAVIDLÁ/ZVÝŠKOVÉ RIZIKÁ

3.1 BEZPEČNOSTNÉ ZÁKAZY

- 3.1.1 UPOZORNENIE.** NEDOVOLTE deťom používať zariadenie; dohliadnite na to, aby sa deti so zariadením nehrali.
- 3.1.2 UPOZORNENIE.** Vysokotlakové trysky môžu byť pri nesprávnom použití nebezpečné.
- 3.1.3 UPOZORNENIE.** NEPOUŽÍVAJTE zariadenie s horľavými alebo toxickými kvapalinami alebo s akýmikoľvek produktmi, ktoré nie sú kompatibilné s jeho správnou prevádzkou. Použitie zariadenia v prostredí s nebezpečenstvom horľavej alebo výbušnej atmosféry je zakázané.
- 3.1.4 UPOZORNENIE.** NEBEZPEČENSTVO VÝBUCHU. NEPOUŽÍVAJTE na rozstrekovanie horľavých kvapalín.
- 3.1.5 UPOZORNENIE.** NEMIERTE prúdom vody na ľudí alebo zvieratá.
- 3.1.6 UPOZORNENIE.** NEMIERTE prúdom vody na samotné zariadenie, na elektrické súčasti alebo iné elektrické zariadenia.
- 3.1.7 UPOZORNENIE.** NEPOUŽÍVAJTE zariadenie, keď sú v jeho prevádzkovom dosahu ľudia bez ochranného odevu.
- 3.1.8 UPOZORNENIE.** NEMIERTE prúdom vody na seba ani na iných, aby ste očistili odev alebo obuv.
- 3.1.9 UPOZORNENIE.** NEPOUŽÍVAJTE zariadenie vonku, keď prší.
- 3.1.10 UPOZORNENIE.** NEDOVOLTE používať zariadenie deťom, nespôsobilým osobám alebo osobám, ktoré si neprečítali návod na použitie a neporozumeli mu.
- 3.1.11 UPOZORNENIE.** NEDOTÝKAJTE sa zástrčky a/alebo zásuvky mokrymi rukami.
- 3.1.12 UPOZORNENIE.** NEPOUŽÍVAJTE zariadenie, ak je poškodený elektrický kábel. Ak je elektrický kábel poškodený, musí byť vymenený výrobcom v jednom z autorizovaných servisných stredísk alebo podobne kvalifikovanými pracovníkmi, aby nedošlo k ohrozeniu bezpečnosti.
- 3.1.13 UPOZORNENIE.** NEPOUŽÍVAJTE zariadenie, ak je poškodený napájací kábel alebo dôležité časti zariadenia, napríklad bezpečnostné zariadenia, vysokotlakové hadice alebo pištoľ.
- 3.1.14 UPOZORNENIE.** NEBLOKUJTE spúšť v prevádzkovej polohe.
- 3.1.15 UPOZORNENIE.** Skontrolujte, či je typový štítok pripevnený k zariadeniu; ak nie, informujte predajcu. Zariadenia bez štítkov sa NESMÚ používať, pretože sú neidentifikovateľné a potenciálne nebezpečné.



- 3.1.16 UPOZORNENIE.** NEMEŇTE ani neupravujte nastavenie bezpečnostného ventilu alebo bezpečnostných zariadení.
- 3.1.17 UPOZORNENIE.** NEUPRAVUJTE pôvodný priemer hlavy trysky.
- 3.1.18 UPOZORNENIE.** NEPREMIESTŇUJTE zariadenie ťahaním za ELEKTRICKÝ KÁBEL.
- 3.1.19 UPOZORNENIE.** Nedovoľte, aby po vysokotlakej hadici jazdili vozidlá.
- 3.1.20 UPOZORNENIE.** NEPREMIESTŇUJTE zariadenie ťahaním za vysokotlakovú hadicu.
- 3.1.21 UPOZORNENIE.** Keď sa vysokotlakový prúd namieri na pneumatiky, ventily pneumatík alebo iné natlakované súčasti, je potenciálne nebezpečný. Nepoužívajte súpravu rotačnej trysky a počas čistenia vždy držte hubicu vo vzdialenosti najmenej 30 cm.
- 3.1.22 UPOZORNENIE.** Používanie neoriginálneho príslušenstva a iných náhradných dielov, ktoré nie sú špecificky určené pre príslušný model, je zakázané. Všetky úpravy zariadenia sú zakázané; akékoľvek zmeny spôsobia neplatnosť Vyhlásenia o zhode a podľa občianskeho a trestného práva zbavia výrobcu akejkoľvek zodpovednosti.

3.2 BEZPEČNOSTNÉ PRÍKAZY

- 3.2.1 UPOZORNENIE.** Všetky elektrické vodiče MUSIA BYŤ CHRÁNENÉ proti prúdu vody.
- 3.2.2 UPOZORNENIE.** Pripojenie na prívod elektrickej energie musí vykonať kvalifikovaný elektrikár v súlade s IEC 60364-1. Musí byť nainštalovaný prúdový chránič, ktorý preruší prívod, ak zvodový prúd do zeme presiahne 30 mA v priebehu 30 ms, alebo zariadenie, ktoré zabezpečí prerušenie napájania pri poruche uzemnenia.
- 3.2.3 UPOZORNENIE.** Zariadenie môže POČAS spúšťania spôsobiť rušenie siete.
- 3.2.4 UPOZORNENIE.** Použitie prúdového chrániča (RCB) zabezpečí dodatočnú ochranu obsluhujúcej osoby (30 mA).
- 3.2.5 UPOZORNENIE.** Modely dodávané bez zástrčky musí inštalovať kvalifikovaný pracovník.
- 3.2.6 UPOZORNENIE.** Používajte len schválené elektrické predlžovacie káble s vhodným priemerom vodičov.
- 3.2.7 UPOZORNENIE.** Keď nechávate zariadenie bez dozoru, vždy vypnite vypínač.

- 3.2.8**      

UPOZORNENIE. Vysoký tlak môže spôsobiť odsakovanie dielov: používajte kompletný ochranný odev (OOP) a prostriedky potrebné na zaistenie bezpečnosti obsluhy.

- 3.2.9 UPOZORNENIE.** Pred vykonávaním práce na zariadení VYTIAHNITE zástrčku.
- 3.2.10 UPOZORNENIE.** Pred stlačením spúšte pištoľ pevne UCHOPTTE, aby ste udržali spätný náraz.



- 3.2.11 UPOZORNENIE.** DODRŽUJTE predpisy miestnych úradov o dodávaní vody. Podľa normy IEC 60335-2-79 môže byť zariadenie pripojené k prívodu pitnej vody len vtedy, keď je prívodná hadica vybavená spätnou klapkou s vypúšťaním podľa normy EN 12729 typu BA. Spätnú klapku možno objednať u výrobcu.
- 3.2.12 UPOZORNENIE.** Voda, ktorá prešla cez spätnú klapku, sa nepovažuje za pitnú.
- 3.2.13 UPOZORNENIE.** Údržba a/alebo oprava elektrických súčastí musí byť vykonávaná kvalifikovaným pracovníkom.
- 3.2.14 UPOZORNENIE.** Pred odpojením hadice od zariadenia VYPUSTITE zvyškový tlak.
- 3.2.15 UPOZORNENIE.** Pred každým použitím a v pravidelných intervaloch SKONTROLUJTE, či sú skrutky pevne utiahnuté a či nie sú žiadne diely zlomené alebo opotrebované.
- 3.2.16 UPOZORNENIE.** POUŽÍVAJTE LEN také čistiace prostriedky, ktoré nebudú spôsobovať koróziu povrchových materiálov na vysokotlakovej hadici/elektrickom kábli.
- 3.2.17 UPOZORNENIE.** ZABEZPEČTE, aby sa všetky osoby alebo zvieratá zdržiavali vo vzdialenosti minimálne 15 metrov.
- 3.2.18 UPOZORNENIE.** Toto zariadenie je určené na použitie s čistiacim prostriedkom dodávaným alebo odporúčaným výrobcom. Použitie iných čistiacich prostriedkov alebo chemikálií môže nepriaznivo ovplyvniť bezpečnosť zariadenia.
- 3.2.19 UPOZORNENIE.** Nedovoľte, aby sa čistiaci prostriedok dostal do styku s pokožkou a najmä do očí! Ak príde do kontaktu s očami, ihneď ich vypláchnite vodou a vyhľadajte lekársku pomoc!
- 3.2.20 UPOZORNENIE.** Vysokotlakové hadice, armatúry a spojky sú dôležité pre bezpečnosť zariadenia. Používajte len hadice, armatúry a spojky odporúčané výrobcom.
- 3.2.21 UPOZORNENIE.** V záujme zaistenia bezpečnosti spotrebiča používajte len originálne diely od výrobcu alebo iné diely schválené výrobcom.
- 3.2.22 POZORNENIE.** Ak sa používa predlžovací kábel, zásuvka a zásuvka musia byť vodotesné konštrukcie.
- 3.2.23 UPOZORNENIE.** Nevhodné predlžovacie káble môžu byť nebezpečné. Ak používate predlžovací kábel, musí byť vhodný na vonkajšie použitie a spoj sa musí uchovávať v suchu a nad zemou. Odporúča sa používať kábel na cievke, ktorá má zásuvku aspoň 60 mm nad zemou.
- 3.2.24 UPOZORNENIE.** Pred montážou, čistením, nastavením, údržbou, skladovaním a prepravou zariadenie vypnite a odpojte od zdroja napájania.
- 3.2.25 UPOZORNENIE.** Pred zapnutím zariadenia zasuňte prúdovú rúrku až po červenú značku.



4 VŠEOBECNÉ INFORMÁCIE (OBR. 1)/STRANA 3**4.1 Používanie návodu**

Návod je neoddeliteľnou súčasťou zariadenia a mal by sa uschovať pre neskoršie použitie. Návod si pred inštaláciou/použitím zariadenia pozorne prečítajte. Ak sa zariadenie predáva, predávajúci musí odovzdať tento návod novému majiteľovi spoločne so zariadením.

4.2 Dodanie

Zariadenie sa dodáva čiastočne zmontované v kartónovej škatuli. Dodané balenie je znázornené na obr. 1.

4.2.1 Dokumentácia dodávaná so zariadením

- A1** Návod na použitie a údržbu
- A2** Bezpečnostné pokyny
- A3** Vyhlásenie o zhode
- A4** Záručné podmienky

4.3 Likvidácia obalov

Obalové materiály nie sú látky znečisťujúce životné prostredie, ale musia byť recyklované alebo zlikvidované v súlade s príslušnými právnymi predpismi v krajine použitia.

5 TECHNICKÉ INFORMÁCIE (OBR. 1)/STRANA 3**5.1 Predpokladané použitie**

Toto zariadenie je určené pre individuálne použitie na čistenie vozidiel, strojov, lodí, konštrukcií, atď., na odstránenie odolných nečistôt čistou vodou a biologicky odbúrateľných chemických čistiacich prostriedkov.

Motor y vozidla možno umývať len v prípade, že bude znečistená voda zlikvidovaná podľa platných predpisov.

- Vstupná teplota vody: **pozrite si typový štítok na zariadení.**

- Vstupný tlak vody: **min. 0,1 MPa – max. 1 MPa.**

- Prevádzková teplota prostredia: **nad 0 °C.**

Zariadenie je v súlade s normami IEC 60335-1 a IEC 60335-2-79.

5.2 Obsluha

Symbol znázornený na obr. 1 predstavuje, kto môže zariadenie obsluhovať (či už ide o profesionálnu alebo neprofesionálnu obsluhu).

5.3 Hlavné komponenty

- B2** Nástavec
- B3** Pištoľ s bezpečnostnou poistkou
- B4** Elektrický kábel so zástrčkou (v modeloch s touto funkciou)
- B5** Vysokotlaková hadica
- B6** Nádrž na čistiaci prostriedok (v modeloch s touto funkciou)
- B7** Uzáver oleja (v modeloch s touto funkciou)
- E** Tryska
- F** Regulátor čistiaceho prostriedku (v modeloch s touto funkciou)
- G** Regulátor tlaku (v modeloch s touto funkciou)
- H** Štartovacie zariadenie
- L** Vodný filter

5.3.1 Príslušenstvo (ak je súčasťou dodaného balenia – pozrite si obr. 1)

- | | |
|--|--|
| C1 Nástroj na čistenie trysky | C10 Skrutky |
| C2 Súprava rotačnej trysky | C11 Držiaky |
| C3 Rukoväť | C12 Páka |
| C4 Kefa | C13 Súprava na čistiaci prostriedok |
| C5 Navijak na hadicu | C14 Kolesá |
| C6 Súprava na nasávanie vody | C15 Tuba s vazelinou |
| C7 Súprava s prúdovou rúrkou | C16 Tlakomeri |
| C8 Súprava kefy na čistenie veľkých plôch | C17 Adaptér |
| C9 Adaptér | |

5.4 Bezpečnostné zariadenia

- Štartovacie zariadenie (H)

Štartovacie zariadenie zabraňuje náhodnému použitiu zariadenia.

**Upozornenie – nebezpečenstvo!**

Nemeňte ani neupravujte nastavenia poistného ventilu.

- Poistný ventil a/alebo ventil obmedzujúci tlak.

Poistný ventil je zároveň aj ventil obmedzujúci tlak. Keď sa uvoľní spúšť pištole, ventil sa otvorí a voda cirkuluje cez prívod čerpadla

alebo sa vypúšťa za zem.

- Termostatický ventil (D1, ak je nainštalovaný)

Ak teplota vody prekročí teplotu nastavenú výrobcom, termostatický ventil vypúšťa horúcu vodu a napuští množstvo studenej vody rovnajúce sa množstvu vypustenej vody, kým nedosiahne správnu teplotu.

- Bezpečnostná poistka (D): zabraňuje náhodnému vystreknutiu vody.

- Vypnutie pri preťažení: zastaví zariadenie v prípade preťaženia.

6 INŠTALÁCIA (OBR. 2)/STRANA 4**6.1 Montáž****Upozornenie – nebezpečenstvo!**

Všetky inštalčné a montážne práce sa musia vykonávať na zariadení, ktoré je odpojené od elektrickej siete.

Postup montáže je znázornený na obr. 2.

6.2 Montáž uzáveru na uvoľnenie tlaku (v modeloch s touto funkciou)

Aby nedošlo k úniku oleja, zariadenie je dodávané s otvormi na olej uzavretými pomocou červených uzáverov, ktoré musia byť nahradené dodanými uzávermi na uvoľnenie tlaku.

6.3 Montáž rotačnej trysky

(V modeloch s touto funkciou).

Súprava rotačnej trysky má vyšší čistiaci výkon.

Použitie rotačnej trysky môže spôsobiť zníženie tlaku o 25 % v porovnaní s tlakom dosahovaným s nastaviťnou tryskou. Rotačná tryska má však vyšší čistiaci výkon v dôsledku rotácie prúdu vody.

6.4 Elektrické zapojenie**Upozornenie – nebezpečenstvo!**

Skontrolujte, či napätie a frekvencia elektrického napájania (V-Hz) zodpovedajú údajom uvedeným na typovom štítku (obr. 2).

6.4.1 Použitie predlžovacích káblov

Používajte káble a zástrčky s úrovňou ochrany „IPX5“.

Prierez predlžovacieho kábla musí byť primeraný jeho dĺžke; čím je dlhší, tým väčší by mal mať prierez. Pozrite si tabuľku 1.

6.5 Pripojenie prívodu vody**Upozornenie – nebezpečenstvo!**

Do zariadenia môže byť prívádzaná len čistá alebo filtrovaná voda. Prietok vody vo vodovodnom kohútiku by mal byť rovnaký ako prietok čerpadla.

Umiestnite zariadenie tak blízko k vodovodnej sieti, ako je možné.

6.5.1 Pripojné body

● Vývod vody (OUTLET)

■ Prívod vody s filtrom (INLET)

6.5.2 Pripojenie k hlavnému prívodu vody

Zariadenie môže byť pripojené priamo k prívodu pitnej vody len vtedy, keď je prívodná hadica vybavená spätnou klapkou podľa aktuálne platných predpisov. Uistite sa, či má hadica priemer najmenej 13 mm, či je zosilnená a či nie je dlhšia ako 25 m.

6.5.3 Nasávanie vody z otvorených nádob

1) Naskrutkujte prívodnú hadicu s filtrom k prívodu vody a vložte ju na dno nádoby.

2) Odvzdušnite zariadenie:

a) Odskrutkujte nástavec.

b) Spustite zariadenie a držte pištoľ otvorenú, až kým vo vytekajúcej vode nebudú žiadne vzduchové bubliny.

3) Vypnite zariadenie a naskrutkujte nástavec naspäť.

Poznámka: Maximálna výška nasávania je 0,5 m. Sacia hadica musí byť pred použitím naplnená.

7 NASTAVENIA (OBR. 3)/STRANA 5**7.1 Nastavenie trysky (v modeloch s touto funkciou)**

Prietok vody sa nastavuje reguláciou trysky (E).

7.2 Nastavenie čistiaceho prostriedku

Ak chcete, aby bol čistiaci prostriedok privádzaný pod správnym tlakom, nastavte trysku (E) (ak je inštalovaná) na „“ alebo nainštalujte súpravu na čistiaci prostriedok (C13) (ak je k dispozícii) tak, ako je to znázornené.

Nastavte nastaviteľnú trysku (E) na „“ tak, aby bol čistiaci prostriedok privádzaný pod správnym tlakom (v modeloch s touto funkciou).

Množstvo privádzaného čistiaceho prostriedku sa nastavuje pomocou regulátora (F).

7.3 Nastavenie pracovného tlaku (v modeloch s touto funkciou)

Na nastavenie pracovného tlaku slúži regulátor (G). Tlak sa ukazuje na tlakomeri (ak je nainštalovaný).

8 INFORMÁCIE O POUŽÍVANÍ ZARIADENIA (OBR. 4)/STRANA 5**8.1 Ovládanie**

- Štartovacie zariadenie (H).

Nastavte štartovací spínač do polohy (ON/I), čím:

- a) sa spustí motor (v modeloch bez zariadenia TSS);
- b) sa motor pripraví na spustenie (v modeloch so zariadením TSS).

Ak je na štartovacom zariadení kontrolka, mala by sa rozsvietiť.

Nastavte prepínač štartovacieho zariadenia na (OFF/0), čím zastavíte zariadenie.

Ak je na štartovacom zariadení kontrolka, mala by zhasnúť.

- Páka na reguláciu prúdu vody (I).

**Upozornenie – nebezpečenstvo!**

Počas prevádzky musí byť zariadenie umiestnené na pevnom a stabilnom povrchu tak, ako je to znázornené na obr. 4.

8.2 Spustenie zariadenia (pozrite si obr. 4)

- 1) Úplne otvorte vodovodný kohútik.
- 2) Uvoľnite bezpečnostnú poistku (D).
- 3) Stlačte spúšť pištole na niekoľko sekúnd a spustíte zariadenie pomocou štartovacieho zariadenia (ON/I).

**Upozornenie – nebezpečenstvo!**

Pred uvedením zariadenia do prevádzky skontrolujte, či je do neho správne privádzaná voda. Zariadenie sa používaním bez vody poškodí. Nezakrývajte vetracie mriežky, keď je zariadenie v prevádzke.

Modely TSS – v modeloch TSS so systémom automatického odpojenia prívodu:

- po **uvoľnení** spúšte pištole dynamický tlak automaticky vyprve motor;
- po **stlačení** spúšte pištole sa poklesom tlaku automaticky spustí motor a tlak po veľmi krátkom intervale znova stúpne;
- ak má systém TSS fungovať správne, **uvoľnenie a stlačenie** pištole musia byť vykonané s odstupom **aspoň 4 až 5 sekúnd**.

Ak chcete zabrániť poškodeniu zariadenia, nenechajte ho bežať nasucho a skontrolujte, či je do neho riadne privádzaná voda.

Ak chcete zabrániť poškodeniu zariadenia v prípade modelov bez TSS v dôsledku zvýšenia teploty vody, neodpájajte prúd vody na viac než 5 minút, keď je zariadenie v prevádzke.

8.3 Zastavenie

- 1) Nastavte štartovacie zariadenie na (OFF/0).
- 2) Stlačte spúšť pištole a vypustíte zvyškový tlak vo vnútri potrubia.
- 3) Zasuňte bezpečnostnú poistku (D).

8.4 Opätovné spustenie

- 1) Uvoľnite bezpečnostnú poistku (D).
- 2) Stlačte spúšť pištole a vypustíte zvyškový vzduch vo vnútri potrubia.
- 3) Nastavte štartovacie zariadenie na (ON/I).

8.5 Skladovanie

- 1) Vypnite vodovodný kohútik prívodu vody.
- 2) Vypustite zvyškový tlak z pištole, kým zo zariadenia nevytečie všetka voda.

3) Vypnite zariadenie (OFF/0).

4) Vytiahnite zástrčku zo zásuvky.

5) Po skončení práce so zariadením vypustíte a vypláchnite nádrž s čistiacim prostriedkom. Pri vyplachovaní nádrže použite namiesto čistiaceho prostriedku čistou vodu.

6) Zasuňte bezpečnostnú poistku (D) pištole.

8.6 Doplnovanie a použitie čistiaceho prostriedku
Čistiaci prostriedok musí byť privádzaný pomocou príslušenstva a postupmi opísanými v bode 7.3.

Použitie dlhšej vysokotlakovej hadice dodanej so zariadením alebo predĺžovacej hadice môže obmedziť alebo úplne zastaviť nasávanie čistiaceho prostriedku.

Naplňte nádrž (B6) biologicky rozložiteľným čistiacim prostriedkom.

8.7 odporúčaný postup čistenia

Na suchý povrch naneste vodu zmiešanú s čistiacim prostriedkom, aby sa nečistoty rozpustili.

Pri čistení zvislých plôch postupujte zdola nahor. Nechajte čistiaci prostriedok pôsobiť 1–2 minúty, ale nenechajte povrch oschnúť. Začnite zdola s použitím vysokotlakového prúdu v minimálnej vzdialenosti 30 cm. Nenechávajte oplachovú vodu tiecť po neumytých povrchoch.

V niektorých prípadoch je na odstránenie nečistôt potrebné použiť kefu.

Vysoký tlak nie je vždy optimálnym riešením, keďže môže poškodiť niektoré povrchy. Najjemnejší nastaviteľný prúd trysky a rotačná tryska by sa nemali používať na jemné alebo lakované povrchy ani na natákané komponenty (napr. pneumatiky, ventily pneumatiky atď.).

Účinné čistenie závisí v rovnakej miere od tlaku a objemu použitej vody.

9 ÚDRŽBA (OBR. 5)/STRANA 6

Všetky činnosti súvisiace s údržbou, ktoré nie sú zahrnuté v tejto kapitole, musí vykonať autorizované predajné a servisné centrum.

**Upozornenie – nebezpečenstvo!**

Pred vykonaním akejkoľvek práce na zariadení vždy vytiahnite zástrčku z elektrickej zásuvky.

9.1 Čistenie trysky

- 1) Odpojte nástavec od trysky.
- 2) Odstráňte usadené nečistoty z otvoru trysky pomocou nástroja (C1).

9.2 Čistenie filtra

Pred každým použitím skontrolujte a prípadne podľa potreby vyčistite vstupný filter (L) a filter na čistiaci prostriedok (ak je nainštalovaný) v súlade s návodom.

9.3 Odblokovanie motora (pre modely s touto funkciou)

V prípade dlhšej odstávky sa môže stať, že vápenaté usadeniny spôsobia zaseknutie motora. Ak chcete odblokovať motor, otočte hnači hriadeľ nástrojom (M).

9.4 Doplnenie oleja (pre modely s touto funkciou)

Prilejte požadované množstvo oleja do prívodného otvoru.

Charakteristiky oleja nájdete v tabuľke „Technické údaje“.

Olej sa musí vymieňať každých 500 hodín prevádzky.

9.5 Skladovanie po sezóne

Zariadenie pred zimným uskladnením spustíte s nekorozívnym a netoxickým nemrznúcim prostriedkom, ktorým zariadenie prepláchnete.

Umiestnite zariadenie na suché miesto chránené pred mrazom.

10 SKLADOVANIE A DOPRAVA (OBR. 5)/STRANA 6

Skladujte príslušenstvo tak, ako je to znázornené na obr. 5.

Zariadenie prepravujte tak, ako je to znázornené na obr. 5.

12 AKO SA VYHNÚŤ POŠKODENIU POVRCHOV**UPOZORNENIE**

- 12.1 Pri použití zariadenia na umývanie pneumatík môže dôjsť k poškodeniu pneumatiky a takéto použitie môže byť nebezpečné.
- 12.2 Nikdy nesmerujte vysokotlakový prúd priamo na pneumatiku.
- 12.3 Pri čistení v blízkosti kolies a pneumatík vždy používajte zariadenie s nastavením najnižšieho tlaku.
- 12.4 „Turbo nadstavec“ nikdy nepoužívajte na čistenie častí vozidla.
- 12.5 Ďalšie informácie nájdete v oddiele: „8.7 Odporúčany postup čistenia“.

**Vyhlasenie ES o zhode**

My, spoločnosť Annovi Reverberi S.p.A., vyhlasujeme, že nasledujúci stroj/nasledujúce stroje De Walt:

Označenie stroja	Vysokotlakový čistič			
Č. modelu.	DXPW 004 E	DXPW 005 E	DXPW 006 E	DXPW 007 E
Menovitý výkon	3 kW	5 kW	5 kW	7,4 kW

je/sú v súlade s nasledujúcimi európskymi smernicami:

2006/42/ES, 2014/35/EÚ, 2011/65/EÚ, 2015/863/EÚ, 2012/19/EÚ, 2014/30/EÚ a 2000/14/ES

a je vyrobený/sú vyrobené v súlade s nasledujúcimi normami alebo normatívnymi dokumentmi:

EN 60335-1; EN 60335-2-79; EN 55014-1; EN 55014-2; EN 61000-3-2; EN 61000-3-3; EN 61000-3-11; EN 60704-1; EN 62233; EN IEC 63000

Meno a adresa osoby zodpovednej na vydávanie technickej dokumentácie. Stefano Reverberi/generálny riaditeľ AR

Via ML King, 3 – 41122 Modena, Taliansko

Postup posudzovania zhody podľa požiadaviek smernice 2000/14/ES bol vykonaný v súlade s prílohou V

Č. modelu.	DXPW 004 E	DXPW 005 E	DXPW 006 E	DXPW 007 E
Nameraná hladina akustického výkonu:	93,5 dB (A)	93,9 dB (A)	93,9 dB (A)	94,4 dB (A)
Zaručená hladina akustického výkonu:	96 dB (A)	96 dB (A)	96 dB (A)	97 dB (A)

Dátum: 04.03.2022

MODENA (I)

Stefano Reverberi

Generálny riaditeľ

Záruka

Platnosť záruky je v súlade s príslušnými právnymi predpismi v krajine, kde sa výrobok predáva, (ak výrobca neuvádza inak).

Záruka sa vzťahuje na materiály, konštrukciu a chyby zhody v priebehu záručnej doby, počas ktorej výrobca vymení chybné diely a opraví výrobok, ak nie je príliš opotrebovaný, alebo ho vymení.

Záruka sa nevzťahuje na komponenty, ktoré podliehajú bežnému opotrebeniu (ventil, piest, vodné tesnenie, olejové tesnenie, pružiny, O-kružky, príslušenstvo, ako sú hadice, pištoľ, kefy, kolesá, atd.);

Záruka sa nevzťahuje na chyby spôsobené nasledujúcimi alebo vyplývajúce z nasledujúcich:

- nesprávne použitie, zneužitie, nedbanlivosť,
- prenájom alebo profesionálne použitie, ak bol výrobok predaný na domáce použitie,
- nedodržanie pokynov pre údržbu uvedených v tomto návode,
- oprava neoprávneným pracovníkom alebo neautorizovaným servisným strediskom,
- použitie neoriginálnych dielov alebo príslušenstva,
- škody spôsobené dopravou, nečistotami alebo cudzími telesami, nehodami,
- problémy so skladovaním alebo uchovávaním.

Na uplatnenie záruky musí byť predložený doklad o nákupe.

Pre pomoc, Strana: 285.

Technické údaje

Technické údaje	Jednotka	DXPW 004 E	DXPW 005 E	DXPW 006 E	DXPW 007 E
Prietok	l/min	10	13,5	15	14
Maximálny prietok	l/min	-	-	-	-
Tlak	MPa	12	18	15	21
Maximálny tlak	MPa	15	20	17	23
Výkon	kW	3	5	5	7,4
Maximálny vstupný teplota	°C	60	60	60	60
Maximálny vstupný tlak	MPa	1	1	1	1
Odpudivá sila pištole pri maximálnom tlaku	N	24,30	40,10	40,70	44,90
Druh čerpadlového oleja	kg	-	-	-	-
Trieda ochrany	-	I/⊕	I/⊕	I/⊕	I/⊕
Izolácia motora	-	F	F	F	F
Ochrana motora	-	IPX5	IPX5	IPX5	IPX5
Napätie	V/Hz	230/50 1~	400/50 3~	400/50 3~	400/50 3~
Maximálna povolená impedancia elektrickej sústavy	Ω	-	-	-	-
Hladina akustického tlaku L_{pA} (EN 60704-1) (K = 2,5 dB(A))	dB (A)	82,1	82,5	82,5	83
Hladina akustického výkonu L_{WA} (EN 60704-1) (K = 2,5 dB(A))	dB (A)	96	96	96	97
Vibrácie zariadenia (K = 1 m/s ²):	m/s ²	<2,5	<2,5	<2,5	<2,5
Hmotnosť	kg	38	40	40	64

Technické zmeny vyhradené!

1 VARNOSTNA NAVODILA

- 1.1** Naprava, ki ste jo kupili, je tehnološko napreden izdelek, ki ga je zasnoval eden od vodilnih evropskih proizvajalcev visokotlačnih čistilnikov. Da bi vaša enota kar najbolj delovala, natančno preberite to knjižico in vedno upoštevajte navodila. Med povezovanjem, uporabo in servisiranjem naprave poskrbite za vse varnostne ukrepe, da poskrbite za svojo varnost in varnost ljudi v svoji neposredni okolici. Pazljivo preberite varnostne predpise in jih vedno upoštevajte. V nasprotnem primeru lahko pride do tveganja za zdravje in varnost ter do velike materialne škode.

2 VARNOSTNI ZNAKI

- 2.1** Upoštevajte navodila varnostnih znakov in simbolov, nameščenih na napravo in navedenih v tem priročniku. Naprava in priročnik vsebujeta samo simbole, ki se nanašajo na kupljeni model. Preverite, da so simboli in znaki, pritrjeni na napravo, vedno prisotni in čitljivi. V nasprotnem primeru na prvotne položaje namestite nadomestne znake.

 Opozorilo - pozor - nevarnost

 Pred uporabo pazljivo preberite ta navodila.

 Simbol E2 (če se pojavi v priročniku) - označuje, da je naprava namenjena profesionalni uporabi, tj. osebam, ki imajo izkušnje s povezanimi tehničnimi, regulatornimi in zakonskimi dejavniki in ki so sposobni izvajati postopke za uporabo in vzdrževanje te naprave. Ta naprava ni namenjena uporabi s strani otrok, oseb z zmanjšanimi telesnimi, senzoričnimi ali duševnimi sposobnostmi ali s pomanjkljivimi izkušnjami in znanjem.

 Premični deli. Prepovedano dotikanje.



0 Položaj za izklop

I Položaj za vklop



Zagotovljena raven moči zvoka



Znak za prepoved. Uporabnika obvešča, da lokalni predpisi lahko prepovedujejo priklop tega izdelka na vodovod s pitno vodo.



Opozorilni znak, ki opozarja uporabnika, da ne usmerja vodnega curka proti ljudem, živalim, električni opremi ali samemu izdelku.



Ta izdelek je uvrščen v razred izolacije I. To pomeni, da ima zaščitni ozemljitveni vodnik (samo če se simbol pojavi na napravi).

CE Izdelek je v skladu z zahtevami ustreznih evropskih direktiv.



Simbol E1 - označuje, da naprave **ne smete odstraniti** z gospodinjstvi odpadki. Lahko jo predate prodajalcu ob nakupu nove naprave. Električnih in elektronskih delov naprave ne smete znova uporabljati v napačne namene, saj vsebujejo snovi, ki so nevarne za zdravje.



Nosite ščitnike sluha.



Nosite zaščitno masko.



Nosite zaščito dihal.



Nosite zaščitne rokavice.



Nosite zaščitno obutev.



Nosite zaščitna oblačila.



3 VARNOSTNA PRAVILA/PREOSTALA TVEGANJA**3.1 VARNOSTNE PREPOVEDI**

- 3.1.1 OPOZORILO.** Otroci NE smejo uporabljati naprave. Nadzorujte jih, da se z njo ne bi igrali.
- 3.1.2 OPOZORILO.** Visokotlačni curki so lahko pri napačni uporabi nevarni.
- 3.1.3 OPOZORILO.** NE uporabljajte naprave z vnetljivimi ali strupenimi snovmi ali izdelki, ki niso združljivi z njenim pravilnim delovanjem. Uporaba naprave v potencialno vnetljivi ali eksplozivni atmosferi je prepovedana.
- 3.1.4 OPOZORILO.** NEVARNOST EKSPLOZIJE. NE uporabljajte naprave za pršenje vnetljivih tekočin.
- 3.1.5 OPOZORILO.** Vodnega curka NE usmerjajte proti ljudem ali živalim.
- 3.1.6 OPOZORILO.** Vodnega curka NE usmerjajte proti enoti sami, električnim delom ali drugi električni opremi.
- 3.1.7 OPOZORILO.** Naprave NE uporabljajte, kadar so v njenem delovnem območju druge osebe, razen kadar nosijo zaščitna oblačila.
- 3.1.8 OPOZORILO.** Vodnega curka nikoli NE usmerjajte proti sebi ali drugim, da bi si očistili oblačila ali obutev.
- 3.1.9 OPOZORILO.** NE uporabljajte naprave na prostem, če dežuje.
- 3.1.10 OPOZORILO.** NE pustite, da bi napravo uporabljali otroci, neusposobljene osebe ali tisti, ki niso prebrali ali razumeli navodil za uporabo naprave.
- 3.1.11 OPOZORILO.** NE dotikajte se vtiča in/ali vtičnice z mokrimi rokami.
- 3.1.12 OPOZORILO.** NE uporabljajte naprave, če je napajalni kabel poškodovan. Če je napajalni kabel poškodovan, ga mora zamenjati proizvajalec, pooblaščen servisni center ali podobno kvalificirane osebe, da preprečite nevarnost.
- 3.1.13 OPOZORILO.** NE uporabljajte naprave, če je poškodovan napajalni kabel oziroma pomembni deli, kot so varovala, visokotlačna gumijasta cev in pištola.
- 3.1.14 OPOZORILO.** NE zatikajte sprožilca v položaj za delovanje.
- 3.1.15 OPOZORILO.** Preverite, da je na napravo nameščena tipska ploščica. Če ni, obvestite prodajalca. Naprav brez ploščic NE smete uporabljati, saj jih ni mogoče identificirati in so morda nevarne.
- 3.1.16 OPOZORILO.** NE modificirajte ali prilagajajte nastavitev varnostnega ventila ali varnostnih naprav.
- 3.1.17 OPOZORILO.** NE spreminjajte prvotnega premera šobe pršilne glave.
- 3.1.18 OPOZORILO.** NE premikajte naprave tako, da vlečete za ELEKTRIČNI KABEL.



- 3.1.19 OPOZORILO.** Vozila ne smejo zapeljati čez visokotlačno cev.
- 3.1.20 OPOZORILO.** NE premikajte naprave tako, da vlečete za visokotlačno cev.
- 3.1.21 OPOZORILO.** Ko visokotlačni curek usmerite proti pnevmatikam, ventilom pnevmatik ali drugim komponentam pod tlakom, je potencialno nevaren. Ne uporabljajte kompleta vrtljive šobe, curek pa naj bo med čiščenjem vedno vsaj 30 cm stran od takih delov.
- 3.1.22 OPOZORILO.** Uporaba neoriginalne dodatne opreme ali drugih nadomestnih delov, ki niso posebej namenjeni za ta model, ni dovoljena. Vse spremembe naprave so prepovedane in izničijo izjavo o skladnosti, proizvajalca pa odvežejo odgovornosti po civilnem in kazenskem pravu.

3.2 VARNOSTNI UKREPI

- 3.2.1 OPOZORILO.** Vsi električni vodniki **MORAJO BITI ZAŠČITENI** pred vodnim curkom.
- 3.2.2 OPOZORILO.** Priključitev na električno napajanje naj izvede usposobljen električar skladno s standardom IEC 60364-1. Napravo opremite z napravo na diferenčni tok, ki bo prekinila napajanje, če ozemljitveni uhajavi tok preseže 30 mA v 30 ms, ali napravo, ki preverja ozemljitev.
- 3.2.3 OPOZORILO.** MED zagonom lahko naprava povzroča šum na električnem omrežju.
- 3.2.4 OPOZORILO.** Uporaba naprave zaščitnega stikala na diferenčni tok zagotavlja dodatno zaščito za uporabnika (30 mA).
- 3.2.5 OPOZORILO.** Modele brez vtiča mora namestiti kvalificirano osebje.
- 3.2.6 OPOZORILO.** Uporabljajte samo odobrene električne podaljške s primernim presekom.
- 3.2.7 OPOZORILO.** Vedno izklopite stikalo, ko napravo pustite brez nadzora.
- 3.2.8**      
OPOZORILO. Visok tlak lahko povzroči odboj delov: nositi morate zaščitna oblačila in opremo, ki je potrebna za zagotavljanje varnosti uporabnika.
- 3.2.9 OPOZORILO.** Pred delom na napravi **ODKLOPITE** vtič.
- 3.2.10 OPOZORILO.** Preden pritisnete sprožilec, trdno **PRIMITE** pištolo, da preprečite povratni sunek.
- 3.2.11 OPOZORILO.** **UPOŠTEVAJTE** lokalne predpise glede vodovodnega omrežja. Po IEC 60335-2-79 lahko napravo priključite neposredno na vodovod samo, če je dovodna cev opremljena s protipovratnim ventilom z izpustom, kot to določa EN 12729, tip BA. Protipovratni ventil lahko naročite pri proizvajalcu.
- 3.2.12 OPOZORILO.** Voda, ki priteče skozi protipovratni ventil, ni pitna.



- 3.2.13 OPOZORILO.** Vzdrževanje in/ali popravilo električnih komponent MORA izvajati kvalificirano osebje.
- 3.2.14 OPOZORILO.** IZPUSTITE preostali tlak, preden odklopite cev z naprave.
- 3.2.15 OPOZORILO.** Pred vsako uporabo in v rednih intervalih PREVERITE, da so vijaki pravilno zategnjeni in da deli niso pokvarjeni ali obrabljeni.
- 3.2.16 OPOZORILO.** UPORABLJAJTE SAMO detergente, ki ne bodo razjedli materiala oblog na visokotlačni cevi/električnem kablu.
- 3.2.17 OPOZORILO.** PAZITE, da so ljudje in živali oddaljeni najmanj 15 m (16 yd).
- 3.2.18 OPOZORILO.** Ta naprava je zasnovana za uporabo s priloženim detergentom oziroma detergentom, ki ga priporoča proizvajalec. Uporaba drugih detergentov ali kemikalij lahko negativno vpliva na varnost naprave.
- 3.2.19 OPOZORILO.** Ne pustite, da detergent pride v stik s kožo, še posebej pa ne z očmi. Če pride v neposreden stik z očmi, jih temeljito izperite z vodo in se takoj obrnite na zdravnika.
- 3.2.20 OPOZORILO.** Visokotlačne cevi, objemke in spojke so pomembni za varnost naprave. Uporabljajte samo tiste cevi, objemke in spojke za visok pritisk, ki jih priporoča proizvajalec.
- 3.2.21 OPOZORILO.** Za zagotovitev varnosti naprave uporabljajte samo originalne rezervne dele proizvajalca ali dele, ki jih je odobril proizvajalec.
- 3.2.22 OPOZORILO.** Če se uporablja podaljšek, mora biti vtičnica in vtičnica vodotesna konstrukcija.
- 3.2.23 OPOZORILO.** Neprimerni podaljški so lahko nevarni. Če uporabljate kabelski podaljšek, poskrbite, da je primeren za uporabo na prostem ter da je mesto priključitve suho in nad tlemi. Močno priporočamo, da uporabite kolut za kabel, ki ohranja vtičnico vsaj 60 mm nad tlemi.
- 3.2.23 OPOZORILO.** Izklopite napravo in jo odklopite z napajanja pred sestavljanjem, čiščenjem, nastavljanjem, vzdrževanjem, shranjevanjem in transportom.
- 3.2.25 OPOZORILO.** Vstavite komplet cevi za curek do rdeče oznake, preden vklopite napravo.



4 SPLOŠNE INFORMACIJE (SLIKA 1) / 3. STRAN**4.1 Uporaba priročnika**

Ta priročnik je sestavni del naprave in ga morate shraniti za prihodnjo uporabo. Pred namestitvijo in uporabo enote ga natančno preberite. Če napravo prodate, mora prodajalec predati priročnik novemu lastniku skupaj z napravo.

4.2 Dobava

Naprava je dobavljena delno sestavljena v kartonasti škatli. Vsebina kompleta je prikazana na sliki 1.

4.2.1 Dokumentacija, priložena napravi

- A1** Priročnik za uporabo in vzdrževanje
- A2** Varnostna navodila
- A3** Izjava o skladnosti
- A4** Garancijska izjava

4.3 Odstranjevanje embalaže

Embalažni materiali ne onesnažujejo okolja, a jih morate reciklirati ali odstraniti skladno z ustreznimi predpisi v vaši državi.

5 TEHNIČNE INFORMACIJE (SLIKA 1) / 3. STRAN**5.1 Predvidena uporaba**

Ta naprava je bila narejena za individualno uporabo za čiščenje vozil, strojev, čolnov, zidov itd. Namenjena je odstranjevanju trdovratne umazanije s čisto vodo in biološko razgradljivimi detergenti. Motorje vozil lahko čistite samo, če umazano vodo odstranite skladno z veljavnimi predpisi.

- Vstopna temperatura vode: **glejte tipsko ploščico na napravi.**

- Vstopni tlak vode: **min. 0,1 MPa - maks. 1 MPa.**

- Temperatura okolice med delovanjem: **nad 0 °C.**

Naprava je skladna s standardi IEC 60335-1 in IEC 60335-2-79.

5.2 Upravljavec

Simbol, prikazan na sliki 1, označuje upravljavca (profesionalec ali neprofesionalec).

5.3 Glavne komponente

- B2** Cevni podaljšek
- B3** Pištola z varovalom
- B4** Električni kabel z vtičem (na modelih s to funkcijo)
- B5** Visokotlačna cev
- B6** Rezervoar za detergent (na modelih s to funkcijo)
- B7** Pokrovček za olje (na modelih s to funkcijo)
- E** Šoba
- F** Regulator detergenta (na modelih s to funkcijo)
- G** Regulator tlaka (na modelih s to funkcijo)
- H** Zaganjalnik
- L** Vodni filter

5.3.1 Dodatna oprema (če je priložena v paketu - glejte sliko 1)

- | | |
|--|----------------------------------|
| C1 Orodje za čiščenje šob | C9 Adapter |
| C2 Komplet vrtljive šobe | C10 Vijaki |
| C3 Ročaj | C11 Nosilci |
| C4 Krtača | C12 Ročica |
| C5 Kolut za gumijasto cev | C13 Komplet detergenta |
| C6 Komplet za sesanje vode | C14 Kolesa |
| C7 Komplet s cevno šobo | C15 Tuba z mazalno mastjo |
| C8 Komplet čistilne krtače za velike površine | C16 Manometru |
| | C17 Adapter |

5.4 Varnostne naprave

- Zaganjalnik (**H**)

Zaganjalnik preprečuje nenamerno uporabo naprave.

**Pozor - nevarnost!**

Ne spreminjajte nastavitve varnostnega ventila in ne modificirajte ventila.

- Varnostni ventil in/ali ventil za omejevanje tlaka.

Varnostni ventil je tudi ventil za omejevanje tlaka. Ko sprožite sprožilec pištole, se ventil odpre, voda pa se spelje skozi dovod črpalke ali odteče na tla.

- Termostatski ventil (**D1**, če je nameščen)

Če temperatura vode preseže temperaturo, ki jo je nastvil proizvajalec, termostatski ventil izpusti vročo vodo in vsesa enako količino hladne vode, dokler se ne vzpostavi ustrezna temperatura.

- Varovalo (**D**): preprečuje nenamerno pršenje vode.

- Blokada pri preobremenitvi: zaustavi napravo, če je preobremenjena.

6 NAMESTITEV (SLIKA 2)/STRAN 4**6.1 Sestavljanje****Pozor - nevarnost!**

Nomeščanje in sestavljanje je dovoljeno samo, če je naprava odklopljena iz napajanja.

Zaporedje sestavljanja je prikazano na sliki 2.

6.2 Nameščanje pokrovčkov za sproščanje tlaka (na modelih s to funkcijo)

Za preprečitev puščanja olja je naprava opremljena z rdečimi pokrovčki na vstopnikih za olje, ki jih morate zamenjati s priloženimi pokrovčki za sproščanje tlaka.

6.3 Nameščanje vrtljive šobe

(Za modele s to funkcijo).

Komplet vrtljive šobe zagotavlja večjo moč pranja.

Z vrtljivo šobo se lahko tlak zmanjša za 25 % v primerjavi s tlakom iz nastavljljive šobe. Komplet vrtljive šobe pa zagotavlja večjo moč pranja zaradi vrtenja vodnega curka.

6.4 Električni priključki**Pozor - nevarnost!**

Preverite, da sta napajalna napetost (V) in frekvenca (Hz) enaki na tipski ploščici (slika 2).

6.4.1 Uporaba podaljškov

Uporabljajte kable in vtiče s stopnjno zaščito »IPX5«.

Presek podaljška mora biti sorazmeren z dolžino - daljši kot je podaljšek, večji mora biti presek. Glejte tabelo 1.

6.5 Priključek za vodo**Pozor - nevarnost!**

Z napravo uporabljajte samo čisto ali filtrirano vodo. Pretok na dovodu vode mora biti enak pretoku črpalke.

Napravo postavite čim bližje dovodu vode.

6.5.1 Priključki

● Izpust za vodo (IZPUST)

■ Dovod vode s filtrom (DOVOD)

6.5.2 Priključek na vodovod

Napravo lahko priključite neposredno na vodovod samo, če je dovodna cev opremljena s protipovratnim ventilom, kot to določajo veljavni predpisi. Pazite, da ima cev premer najmanj Ø 13 mm, da je ojačana in da ni daljša od 25 m.

6.5.3 Črpanje vode iz odprtih posod

1) Privijte dovodno cev s filtrom na DOVOD vode in jo vstavite na dno posode.

2) Spustite zrak iz naprave:

a) Odvijte nastavek.

b) Zaženite napravo in pustite pištolo odprto, dokler v iztekajoči vodi ni več mehurčkov.

3) Izklopite napravo in znova privijte nastavek.

Opomba: največja sesalna višina je 0,5 m. Pred uporabo napolnite sesalno cev.

7 NASTAVITVE (SLIKA 3)/STRAN 5**7.1 Nastavljanje šobe (za modele s to funkcijo)**

Pretok vode nastavite s šobo (**E**).

7.2 Nastavljanje detergenta

Da se detergent doda s pravilnim tlakom, šobo (**E**) (če je nameščena) nastavite na »« ali pa namestite komplet za detergent (**C13**) (če je na voljo), kot je prikazano.

Količino dovedenega detergenta nastavite z regulatorjem (**F**).

- 7.3 Nastavljanje delovnega tlaka** (na modelih s to funkcijo)
Regulator (G) se uporablja za nastavljanje delovnega tlaka. Tlak je prikazan na manometru (če je nameščen).

8 INFORMACIJE O UPORABI NAPRAVE (SLIKA 4)/STRAN 5

8.1 Krmilni elementi

- Zaganjalnik (H).

Stikalo zaganjalnika nastavite na vklop (ON/I), da:

- zažene motor (na modelih brez naprave TSS);
- pripravite motor na zagon (na modelih z napravo TSS).

Če je na zaganjalniku pilotska lučka, mora zasvetiti.

Nastavite stikalo zaganjalnika na izklop (OFF/O), da zaustavite napravo.

Če je na zaganjalniku pilotska lučka, mora ugasniti.

- Ročica za krmiljenje vodnega curka (I).



Pozor - nevarnost!

Med delovanjem mora biti naprava postavljena na trdno in stabilno površino, kot je prikazano na sliki 4.

8.2 Zagon (glejte sliko 4)

- Do konca odprite dovodni ventil.
- Sprostite varovalo (D).
- Za nekaj sekund pritisčajte sprožilec in zaženite napravo z zaganjalnikom (ON/I).



Pozor - nevarnost!

Pred zagonom naprave morate preveriti, da pravilno dobiva vodo. Če jo boste uporabljali brez vode, se bo poškodovala. Ne pokrivajte ventilacijskih rešetk, ko je naprava v uporabi.

Modeli TSS - pri modelih TSS s sistemom za samodejni izklop vodnega pretoka:

- ko sprožilec **sprostite**, dinamični tlak samodejno izklopi motor;
- ko je sprožilec **pritisnjen**, samodejni padec tlaka zažene motor, tlak pa se obnovi po zelo kratki zakasnitvi;
- da bi TSS pravilno deloval, mora med **sproščanjem** in **pritisikanjem** sprožilca preteči **najmanj 4-5 sekund**.

Da bi preprečili poškodbe naprave, ne dopustite, da deluje brez vode, in preverite, da ima pravi dovolj vode.

Za modele brez TSS ne prekinite curka vode za več kot 5 minut, ko naprava deluje, da preprečite poškodbe naprave zaradi povišane temperature vode.

8.3 Zaustavitev

- Stikalo zaganjalnika nastavite na izklop (OFF/O).
- Pritisnite sprožilec in sprostite preostali tlak v ceveh.
- Aktivirajte varovalo (D).

8.4 Vnovični zagon

- Sprostite varovalo (D).
- Pritisnite sprožilec in izpustite preostali zrak iz cevi.
- Stikalo zaganjalnika nastavite na vklop (ON/I).

8.5 Shranjevanje

- Zaprte dovodni ventil.
- Izpustite preostali tlak iz pištole, dokler iz naprave ne izteče vsa voda.
- Izklopite napravo (OFF/O).
- Odstranite vtič iz vtičnice.
- Izpraznite in izperite rezervoar za detergent, ko končate z delom. Za izpiranje rezervoarja uporabljajte čisto vodo in ne detergenta.
- Aktivirajte varovalo pištole (D).

8.6 Polnjenje in uporaba detergenta

Detergent morate dovajati z dodatno opremo in skladno s postopki, opisanimi v točki 7.3.

Uporaba visokotlačne cevi, ki je daljša kot originalna, ali uporaba podaljška cevi lahko zmanjša ali povsem zaustavi sesanje detergenta.

Rezervoar (B6) napolnite z visoko biološko razgradljivim detergentom.

8.7 Priporočeni postopek čiščenja

Umazanijo raztopite tako, da na suho površino nanese detergent, pomešan z vodo.

Pri delu z navpičnimi površinami čistite od spodaj navzgor. Pustite, da detergent deluje 1-2 minuti, vendar ne pustite, da se površina posuši. Začnite na dnu in z visokotlačnim curkom čistite na razdalji najmanj 30 cm. Voda od čiščenja ne sme zaiti na neočiščene površine.

V nekaterih primerih boste morali umazanijo odstraniti s krtačo.

Visok tlak ni vedno najboljša rešitev za dobre rezultate čiščenja, saj lahko nekatere površine poškoduje. Za občutljive ali pobarvane dele oziroma komponente pod tlakom (npr. pnevmatike, ventile itd.) ne uporabljajte najmanjše nastavitve nastavljalne šobe ali vrtiljive šobe. Učinkovito čiščenje je enako odvisno od tlaka in prostornine uporabljene vode.

9 VZDRŽEVANJE (SLIKA 5)/STRAN 6

Vzdrževanje, ki ni opisano v tem poglavju, mora izvajati pooblaščen prodajni in servisni center.



Pozor - nevarnost!

Vedno odklopite vtič iz vtičnice, preden delate na napravi.

9.1 Čiščenje šobe

- Odklopite nastavek s šobe.
- Odstranite nanose umazanije na luknji šobe z orodjem (C1).

9.2 Čiščenje filtra

Pred vsako uporabo preglejte dovodni filter (L) in filter za detergent (če je nameščen) in ga očistite skladno z navodili, če je potrebno.

9.3 Odpravljanje zastojev motorja (na modelih s to funkcijo)

Pri daljših zaustavitvah se lahko motor zatakne zaradi vodnega kamna. Da ga sprostite, obrnite pogonsko gred z orodjem (M).

9.4 Dolivanje olja (za modele s to funkcijo)

Olje dolijte skozi odprtino, da obnovite pravilno raven.

Za karakteristike olja glejte tabelo »Tehnični podatki«.

Olje je treba zamenjati po vsakih 500 urah delovanja.

9.5 Shranjevanje po koncu sezone

Preden napravo shranite za čez zimo, naj nekaj časa deluje z nekoroziivnim, nestrupenim sredstvom proti zmrzovanju.

Napravo postavite na suho mesto, kjer je zaščiten pred zmrzaljo.

10 SHRANJEVANJE IN TRANSPORT (SLIKA 5)/STRAN 6

Opremo shranite, kot kaže slika 5.

Stroj transportirajte, kot kaže slika 5.

12 KAKO PREPREČITI POŠKODBE POVRŠIN**OPOZORILO**

- 12.1 Naprava lahko pri pranju poškoduje pnevmatike, poleg tega pa je uporaba naprave za pranje pnevmatik nevarna.
 12.2 Visokotlačnega curka nikoli ne usmerite neposredno v pnevmatiko.
 12.3 Pri čiščenju okolice koles in pnevmatik vedno uporabljajte najnižjo nastavitve za tlak na napravi.
 12.4 »Turbošobe« nikoli ne uporabljajte za pranje katerega koli dela vozila.
 12.5 Za več informacij glejte poglavje: »8.7 Priporočeni postopek čiščenja«.

**Izjava ES o skladnosti**

Podjetje Annovi Reverbi S.p.A izjavlja, da so naslednji stroji De Walt:

Oznaka stroja	Visokotlačni čistilec				
Št. modela	DXPW 004 E	DXPW 005 E	DXPW 006 E	DXPW 007 E	
Nazivna moč	3 kW	5 kW	5 kW	7,4 kW	

skladni z naslednjimi evropskimi direktivami:

2006/42/ES, 2014/35/EU, 2011/65/EU, 2015/863/EU, 2012/19/EU, 2014/30/EU in 2000/14/ES

in da so proizvedeni skladno z naslednjimi standardi in standardiziranimi dokumenti:

EN 60335-1; EN 60335-2-79; EN 55014-1; EN 55014-2; EN 61000-3-2; EN 61000-3-3; EN 61000-3-11; EN 60704-1; EN 62233; EN IEC 63000

Ime in naslov osebe, ki je bila pooblaščenca za izdajo tehnične dokumentacije: Stefano Reverberi / generalni direktor AR

Via ML King, 3 - 41122 Modena, Italija

Postopek ocene skladnosti, ki ga zahteva direktiva 2000/14/ES, je bil izveden skladno s Prilogo V.

Št. modela.	DXPW 004 E	DXPW 005 E	DXPW 006 E	DXPW 007 E
Izmerjena raven moči zvoka:	93,5 dB (A)	93,9 dB (A)	93,9 dB (A)	94,4 dB (A)
Zagotovljena raven moči zvoka:	96 dB (A)	96 dB (A)	96 dB (A)	97 dB (A)

Datum: 04.03.2022

MODENA (I)

Stefano Reverberi


Generalni direktor

Garancija

Veljavnost te garancije je skladna z ustreznimi predpisi v državi, kjer se ta izdelek prodaja, če proizvajalec ne navede drugače.

Ta garancija pokriva okvare materialov, konstrukcije in skladnosti med garancijskim obdobjem, v katerem bo proizvajalec zamenjal okvarjene dele in popravil izdelek, če ni prekomerno obrabljen, ali ga zamenjal.

Garancija ne pokriva komponent, ki so izpostavljene običajni obrabi (ventil, bat, tesnilo za vodo, tesnilo za olje, vzmeti, tesnilni obročki, pripomočki, kot so cev, pištola, ščetke, kolesa itd.);

Garancija ne pokriva okvar, ki bi jih povzročilo naslednje ali ki bi izhajale iz naslednjega:

- nepravilna uporaba, zloraba, zanemarjanje
- izposoja ali profesionalna uporaba, če je bil izdelek prodan za domačo uporabo,
- neupoštevanje navodil za vzdrževanje v tem priročniku,
- popravilo s strani nepooblaščenih oseb ali centrov,
- uporaba neoriginalnih delov ali dodatne opreme,
- poškodbe, ki jih povzročijo transport, umazanija ali tujki, nesreče
- težave pri shranjevanju ali skladiščenju.

Za pridobitev garancijskega kritja morate predložiti potrdilo o nakupu.

Za pomoč, Stran: 285.

Tehnični podatki

Tehnični podatki	Enota	DXPW 004 E	DXPW 005 E	DXPW 006 E	DXPW 007 E
Pretok	l/min	10	13,5	15	14
Maksimalni pretok	l/min	-	-	-	-
Tlak	MPa	12	18	15	21
Maksimalni tlak	MPa	15	20	17	23
Moč	kW	3	5	5	7,4
Maksimalni vhodni temperatura	°C	60	60	60	60
Maksimalni vhodni tlak	MPa	1	1	1	1
Povratna sila pištole pri največjem tlaku	N	24,30	40,10	40,70	44,90
Tip olja za črpalke	kg	-	-	-	-
Razred zaščite	-	II/⊕	II/⊕	II/⊕	II/⊕
Izolacija motorja	Razred	F	F	F	F
Zaščita motorja	-	IPX5	IPX5	IPX5	IPX5
Napetost	V/Hz	230/50 1~	400/50 3~	400/50 3~	400/50 3~
Največja dovoljena impedanca električnega sistema	Ω	-	-	-	-
Raven zvočnega tlaka L_{pa} (EN 60704-1) (K = 2,5 dB(A))	dB (A)	82,1	82,5	82,5	83
Raven moči zvoka L_{wa} (EN 60704-1) (K = 2,5 dB(A))	dB (A)	96	96	96	97
Vibracije naprave (K = 1 m/s ²):	m/s ²	<2,5	<2,5	<2,5	<2,5
Masa	kg	38	40	40	64

Predmet tehničnih sprememb

1 SÄKERHETSBESTÄMMELSER

- 1.1** Maskinen som du har införskaffat är en högteknologisk produkt som är konstruerad av en av Europas ledande tillverkare av högtryckstvättar. För att få den bästa nyttan av din maskin, läs noggrant dessa rader som vi har sammanställt och följ dem alltid vid varje användningstillfälle. Vidta alla de försiktighetsåtgärder som erfordras för att värna om din egen och andras säkerhet i maskinens omedelbara närhet i samband med anslutning, användning och underhåll. Läs och iaktta säkerhetsanvisningarna noggrant eftersom försummelse av dessa kan äventyra människors hälsa och säkerhet eller orsaka ekonomiska skador.

2 INFORMATIONSSKYLTAR OCH SYMBOLER

- 2.1** Iaktta informationsskyltar och symboler på maskinen och i bruksanvisningen. Endast de symboler som berör den införskaffade maskinen återfinns på maskinen och i bruksanvisningen. Kontrollera att maskinens symboler och informationsskyltar alltid är på plats och att de går att läsa. Byt ut dem om det behövs och se till att placera de nya skyltarna där de gamla satt.

 Varning - fara!

 Läs bruksanvisningen noggrant före användning.

 Symbol E2 (om den finns i fig. 1) - anger att maskinen är avsedd för professionellt bruk. Den som använder denna typ av maskin måste vara erfaren och känna till hur maskinen fungerar, används och underhålls samt ha kännedom om gällande lagar och standarder. Maskinen är inte avsedd att användas av barn eller personer med nedsatt fysisk, sensorisk eller mental funktionsförmåga, eller som saknar erfarenhet och kunskap.

 Rörliga delar. Vidrör ej.



0 Frånslagen strömbrytare

I Tillslagen strömbrytare



Garanterad ljudeffektnivå



Förbudssymbol som informerar användaren om att nationella bestämmelser kan förbjuda anslutning av maskinen till dricksvattennätet.



Varningssymbol som påminner användaren om att inte rikta vattenstrålen mot personer, djur, elutrustning eller den använda maskinen.



Maskinen tillhör isolerklass I. Det betyder att den är försedd med en jordledare (endast om symbolen finns på maskinen).

CE Maskinen är i överensstämmelse med gällande EU-direktiv.



Symbol E1 - anger att maskinen **inte får bortskaffas** som hushållsavfall. Maskinen kan lämnas tillbaka till återförsäljaren vid inköp av en ny maskin. Maskinens elektriska och elektroniska komponenter får inte återanvändas för otillåtna ändamål eftersom de innehåller hälsovådliga ämnen.



Använd hörselskydd.



Använd skyddsmask.



Använd andningsskydd.



Använd skyddshandskar.



Använd skyddsskor.



Använd skyddskläder.



3 SÄKERHETSANVISNINGAR/KVARSTÅENDE RISKER

3.1 VARNINGSFÖRESKRIFTER: VAD DU INTE FÅR GÖRA

- 3.1.1 **VARNING!** Håll barn under uppsikt. De får INTE använda eller leka med maskinen.
- 3.1.2 **VARNING!** Tryckstrålar kan vara farliga om de används på fel sätt.
- 3.1.3 **VARNING!** ANVÄND INTE maskinen tillsammans med vätskor som är lättantändliga, giftiga eller vilkas egenskaper är oförenliga med en korrekt funktion av maskinen. Det är förbjudet att använda maskinen i potentiellt lättantändliga eller explosiva utrymmen.
- 3.1.4 **VARNING!** EXPLOSIONSRISK **SPRUTA** INTE lättantändliga vätskor.
- 3.1.5 **VARNING!** RIKTA INTE vattenstrålen mot personer eller djur.
- 3.1.6 **VARNING!** RIKTA INTE vattenstrålen mot maskinen, elkomponenter eller mot andra elutrustningar.
- 3.1.7 **VARNING!** ANVÄND INTE maskinen inom en aktionsradie där det befinner sig personer som inte har på sig skyddskläder.
- 3.1.8 **VARNING!** RIKTA INTE strålen mot dig själv eller andra för att rengöra kläder eller skor.
- 3.1.9 **VARNING!** ANVÄND INTE maskinen utomhus vid regn.
- 3.1.10 **VARNING!** Maskinen får INTE användas av barn, okunniga personer eller av någon som inte har läst och förstått bruksanvisningen.
- 3.1.11 **VARNING!** TA INTE i stickkontakten och/eller eluttaget med våta händer.
- 3.1.12 **VARNING!** ANVÄND INTE maskinen om elkabeln är skadad. En skadad elkabel ska bytas ut av tillverkaren, en auktoriserad serviceverkstad eller behörig personal för att undvika fara för säkerheten.
- 3.1.13 **VARNING!** Använd INTE maskinen om en elkabel eller viktiga delar som t.ex. säkerhetsanordningar, högtrycksslangar eller tvättpistol är skadade.
- 3.1.14 **VARNING!** SPÄRRÅ INTE tvättpistolens spak i funktionsläge.
- 3.1.15 **VARNING!** Kontrollera att maskinen är utrustad med typskylt. I annat fall måste du kontakta återförsäljaren. Maskiner som saknar typskylt får INTE användas eftersom de inte är godkända och därav potentiellt farliga.
- 3.1.16 **VARNING!** Mixtra INTE med reglerventilen och säkerhetsanordningarna eller ändra deras kalibrering.
- 3.1.17 **VARNING!** Ändra INTE originaldiametern på munstyckets stråle.
- 3.1.18 **VARNING!** Flytta INTE maskinen genom att dra i ELKABELN.



- 3.1.19 VARNING!** Se till att inga motorfordon kör över högtrycksslangen.
- 3.1.20 VARNING!** Flytta INTE maskinen genom att dra i högtrycksslangen.
- 3.1.21 VARNING!** Det är potentiellt farligt att rikta högtrycksstrålen mot däck, däckventiler och andra trycksatta delar. Undvik att använda det roterande munstycket och håll strålen på min. 30 cm avstånd under rengöringen.
- 3.1.22 VARNING!** Det är förbjudet att använda piratreservdelar eller reservdelar som inte är avsedda för modellen. Det är förbjudet att göra ändringar på maskinen. Vid ändringar bortfaller EG-försäkran om överensstämmelse och tillverkaren befrias från civil- och straffrättsligt ansvar.

3.2 VARNINGSFÖRESKRIFTER: VAD DU SKA GÖRA

- 3.2.1 VARNING!** Samtliga strömförande delar SKA SKYDDAS mot vattenstrålen.
- 3.2.2 VARNING!** Elanslutningen ska utföras av en behörig elektriker i överensstämmelse med standard IEC 60364-1. Det ska finnas en jordfelsbrytare som bryter eltillförseln till maskinen om läckströmmen mot jord överskrider 30 mA i 30 ms. Installera alternativt en anordning för kontroll av jordningskretsen.
- 3.2.3 VARNING!** Maskinen kan orsaka nätstörningar I SAMBAND med start.
- 3.2.4 VARNING!** Användning av en jordfelsbrytare (30 mA) ger ett extra personligt skydd.
- 3.2.5 VARNING!** Vid modeller utan stickkontakt ska installationen utföras av en fackman.
- 3.2.6 VARNING!** Använd endast godkända förlängningssladdar med lämplig tvärsnittsarea.
- 3.2.7 VARNING!** Slå alltid från strömbrytaren när maskinen lämnas utan uppsikt.
- 3.2.8**      

VARNING! Högtrycksstrålen kan lossa delar som slungas iväg. Använd därför alltid skyddskläder och personlig skyddsutrustning.

- 3.2.9 VARNING!** DRA UT stickkontakten ur eluttaget innan det utförs arbeten på maskinen.
- 3.2.10 VARNING!** TA ETT STADIGT TAG om tvättpistolen innan du drar i spaken med tanke på rekyl.
- 3.2.11 VARNING!** FÖLJ anvisningarna från det lokala vattenverket. Enligt standard IEC 60335-2-79 får maskinen endast anslutas direkt till det allmänna dricksvattennätet om vattenledningen omfattar en backventil med tömningsmöjlighet av typ BA i överensstämmelse med standard EN 12729. Backventilen kan beställas från tillverkaren.
- 3.2.12 VARNING!** Vattnet som har runnit genom backventilen är inte drickbart.



- 3.2.13 VARNING!** Underhåll och/eller reparation av elkomponenter får ENDAST göras av behörig personal.
- 3.2.14 VARNING!** SLÄPP UT resttrycket innan slangen lossas från maskinen.
- 3.2.15 VARNING!** KONTROLLERA före varje användning av maskinen och med jämna mellanrum att samtliga skruvar är ordentligt åtdragna och att det inte finns slitna eller skadade komponenter.
- 3.2.16 VARNING!** ANVÄND endast rengöringsmedel som är kompatibla med det material som högtrycksslängens/elkabelns hölje är gjort av.
- 3.2.17 VARNING!** FÖRSÄKRA dig om att personer och djur befinner sig på minst 15 meters avstånd.
- 3.2.18 VARNING!** Maskinen är konstruerad för att användas tillsammans med de rengöringsmedel som levereras eller rekommenderas av tillverkaren. Användning av andra rengöringsmedel eller kemiska produkter kan påverka maskinens säkra funktion negativt.
- 3.2.19 VARNING!** Undvik att rengöringsmedlet kommer i kontakt med huden och i synnerhet med ögonen! Vid kontakt med ögonen, skölj med rent vatten och uppsök omedelbart läkare!
- 3.2.20 VARNING!** Högtrycksslängar, kopplingar och skarvkopplingar är viktiga för maskinens säkra funktion. Använd endast högtrycksslängar, kopplingar och skarvkopplingar som rekommenderas av tillverkaren.
- 3.2.21 VARNING!** Garantera maskinens säkra funktion genom att endast använda originalreservdelar som levereras av tillverkaren eller har godkänts av tillverkaren.
- 3.2.22 VARNING!** Om en förlängningssladd används måste uttaget och uttaget vara vattentäta.
- 3.2.23 VARNING!** Olämpliga förlängningssladdar kan vara farliga. Välj en förlängningssladd som lämpar sig för utomhusbruk. Försäkra dig om att anslutningen förblir torr och på avstånd från marken. Det rekommenderas att använda en kabelvinda för detta ändamål som håller uttaget på minst 60 mm avstånd från marken.
- 3.2.24 VARNING!** Stäng av maskinen och fränkoppla den från elnätet före montering, rengöring, inställning, underhåll, förvaring och transport.
- 3.2.25 VARNING!** För in rörrensaren till det röda märket innan maskinen slås på.



4 ALLMÄN INFORMATION (FIG. 1)/SID. 3**4.1 Användning av bruksanvisningen**

Bruksanvisningen är en viktig del av maskinen och ska sparas för framtida bruk. Läs igenom bruksanvisningen före installation och användning av maskinen. Bruksanvisningen ska alltid medfölja vid ev. ägarbyte.

4.2 Leverans

Maskinen levereras delvis nedmonterad i en kartong. I fig. 1 visas vilka delar som medföljer vid leveransen.

4.2.1 Dokumentation som medföljer

- A1** Bruks- och underhållsanvisning
- A2** Säkerhetsbestämmelser
- A3** Försäkran om överensstämmelse
- A4** Garantivillkor

4.3 Bortskaffande av emballage

Emballaget är miljövänligt och återvinningsbart. Bortskaffa det enligt installationslandets gällande miljölagstiftning.

5 TEKNISK INFORMATION (FIG. 1)/SID. 3**5.1 Avsedd användning**

Maskinen är avsedd för hushållsbruk för rengöring av fordon, maskiner, båtar, byggnader o.s.v. Den tar bort ingrodd smuts med hjälp av rent vatten och kemiska rengöringsmedel som är biologiskt nedbrytbara.

Fordonsmotorer får endast rengöras om det använda vattnet bortskaffas enligt gällande miljölagstiftning.

- Vattentemperatur vid inloppet: **Se maskinens typskylt.**

- Vattentryck vid inloppet: **min. 0,1 MPa - max. 1 MPa.**

- Omgivningstemperatur vid funktion: **över 0 °C.**

Maskinen är i överensstämmelse med standard IEC 60335-1 och IEC 60335-2-79.

5.2 Användare

Symbolen i fig. 1 anger om maskinen är avsedd för professionellt bruk eller hushållsbruk.

5.3 Huvuddelar

- B2** Tryckrör
- B3** Tvättpestol med spärr
- B4** Elkabel med stickkontakt (beroende på modell)
- B5** Högtrycksslang
- B6** Behållare för rengöringsmedel (beroende på modell)
- B7** Oljeplugg (beroende på modell)
- E** Munstycke
- F** Reglage för rengöringsmedel (beroende på modell)
- G** Reglage för arbetstryck (beroende på modell)
- H** Startanordning
- L** Vattenfilter

5.3.1 Tillbehör (om de medföljer vid leveransen - se fig. 1)

- | | |
|---|--|
| C1 Rengöringsverktyg för munstycke | C9 Adapter |
| C2 Roterande munstycke | C10 Skruvar och muttrar |
| C3 Handtag | C11 Byglar |
| C4 Borste | C12 Spak |
| C5 Slangvinda | C13 Behållare för rengöringsmedel |
| C6 Vattensug | C14 Hjul |
| C7 Rörrensare | C15 Tub med smörjfelt |
| C8 Borste för stora ytor | C16 Manometern |
| | C17 Adapter |

5.4 Säkerhetsanordning

- Startanordning (H)

Startanordningen förhindrar oavsiktlig användning av maskinen.

! Varning - fara!

Mixtra inte med säkerhetsventilen eller ändra dess kalibrering.

- Säkerhets- och/eller övertrycksventil.

Säkerhetsventilen är även en övertrycksventil.

När tvättpestolen stängs av öppnas säkerhetsventilen och vattnet

circulerar från pumpens insug eller töms ut på marken.

- Termostatisk ventil (D1 beroende på modell)

Om vattentemperaturen överskrider den temperatur som har fastställts av tillverkaren, tömmer den termostatiske ventilen ut det varma vattnet och suger in motsvarande mängd kallt vatten tills korrekt temperatur har återställts.

- Spårr (D): Skyddar mot oavsiktliga vattenstrålar.

- Överhettningsskydd: Stoppa maskinen i händelse av överbelastning.

6 INSTALLATION (FIG. 2)/SID. 4**6.1 Montering****! Varning - fara!**

Maskinen ska vara kopplad från elnätet vid all installation och montering.

Se fig. 2 för monteringssekvensen.

6.2 Montering av avluftningspluggar (beroende på modell)

För att undvika oljeläckage levereras maskinen med oljepåfyllningshålen igensatta med röda pluggar som ska ersättas med de avluftningspluggar som medföljer vid leveransen.

6.3 Montering av roterande munstycke

(beroende på modell).

Det roterande munstycket ökar rengöringseffekten.

Användning av det roterande munstycket kan medföra en trycksänkning på 25 % i förhållande till det tryck som erhålls med det reglerbara munstycket. Användning av det roterande munstycket ökar dock rengöringseffekten tack vare vattenstrålens roterande verkan.

6.4 Elanslutning**! Varning - fara!**

Kontrollera att nätspänningen i ditt hem överensstämmer med spänningen och frekvensen (V/Hz) på typskylten (fig. 2).

6.4.1 Vid bruk av förlängningssladdar

Använd förlängningssladdar och stickkontakter med kapslingsklass IPX5.

Tvåsnittsarean på förlängningssladden ska vara proportionell mot längden, d.v.s. ju längre förlängningssladd desto större tvåsnittsarea. Se tabell 1.

6.5 Vattenanslutning**! Varning - fara!**

Sug endast in filtrerat eller rent vatten. Vattenkranens kapacitet ska överensstämma med pumpens kapacitet.

Maskinen ska placeras så nära vattenledningen som möjligt.

6.5.1 Anslutningshåll

- Vattenutlopp (OUTLET)
- Vatteninlopp med filter (INLET)

6.5.2 Anslutning till det allmänna vattennätet

Maskinen får endast anslutas direkt till det allmänna dricksvattennätet om vattenledningen omfattar en bakenventil med tömningsmöjlighet enligt gällande standarder. Försäkra dig om att slangens har min. Ø 13 mm, är förstärkt och är max. 25 m lång.

6.5.3 Insug av vatten från öppna behållare

- 1) Skruva fast sugslangen med filtret på vatteninloppet (INLET) och sänk ned den helt i behållaren.
- 2) Avlufta maskinen:
 - a) Skruva loss tryckröret.
 - b) Slå på maskinen och öppna tvättpestolen tills vattnet som kommer ut är utan luftbubblor.
 - 3) Stäng av maskinen och skruva åter fast tryckröret.

Obs: Max. sughöjd är 0,5 m. Det rekommenderas att fylla sugslangen före användningen.

7 INSTALLNINGAR (FIG. 3)/SID. 5**7.1 Inställning av munstycke (beroende på modell)**

Ställ in vattenstrålen med munstycket (E).

7.2 Reglage för fördelning av rengöringsmedel

Fördela rengöringsmedlet med korrekt tryck genom att sätta munstycket (E) (beroende på modell) i läge "■" eller montera behållaren för rengöringsmedel (C13) (beroende på modell) enligt anvisningarna i figuren.

Ställ in mängden rengöringsmedel som ska fördelas med reglaget (F) (beroende på modell).

7.3 Reglage för arbetstryck (beroende på modell)

Ställ in arbetstrycket med reglaget (G). Trycket anges på manometern (beroende på modell).

8 INFORMATION OM ANVÄNDNING (FIG. 4)/SID. 5**8.1 Reglage**

- Startanordning (H).

Sätt startanordningen i läge (ON/I) för att utföra följande:

- starta motorn (på modeller utan TSS-anordning)
 - förbereda motorn för start (på modeller med TSS-anordning). Om startanordningen är försedd med lysdiod ska denna tändas.
- Sätt startanordningen i läge (OFF/O) för att avbryta maskinens funktion. Om startanordningen är försedd med lysdiod ska denna släckas.
- Spak för vattenstråle (I).

**Varning - fara!**

Maskinen ska placeras på ett säkert och stadigt underlag enligt anvisningarna i fig. 4.

8.2 Start (se fig. 4)

- Öppna vattenkranen helt.
- Frigör spärren (D).
- Håll tvättpistolen öppen några sekunder och starta maskinen med startanordningen (ON/I).

**Varning - fara!**

Kontrollera före start av maskinen att den förses korrekt med vatten. Användning av maskinen utan vatten kan skada den. Täck inte över ventilationsöppningarna under användning.

TSS-modeller: TSS-modeller med automatiskt avbrott av tillförseln:

- När tvättpistolen stängs, stängs elmotorn av automatiskt av det dynamiska trycket.
- När tvättpistolen öppnas gör tryckfallet att elmotorn startar automatiskt. Trycket skapas på nytt med en liten fördrojning.
- För att garantera en perfekt funktion av TSS-anordningen måste det gå minst 4 -5 sekunder mellan stängning och öppning av tvättpistolen.

För att undvika skador på maskinen får den inte torrköras. Kontrollera att maskinen alltid förses korrekt med vatten.

För att undvika skador på maskinen p.g.a. ökad vattentemperatur får vattenstrålen inte avbrytas i mer än 5 minuter när maskinen används (på modeller utan TSS-anordning).

8.3 Stopp

- Sätt startanordningen i läge (OFF/O).
- Öppna tvättpistolen och släpp ut resttrycket från rörledningarna.
- Inkoppla spärren (D).

8.4 Återstart

- Frigör spärren (D).
- Öppna tvättpistolen och släpp ut resttrycket från rörledningarna.
- Sätt startanordningen i läge (ON/I).

8.5 Avställning

- Stäng vattenkranen.
- Släpp ut resttrycket från tvättpistolen tills allt vatten har kommit ut från maskinen.
- Stäng av maskinen (OFF/O).
- Dra ut stickkontakten ur eluttaget.
- Töm och rengör behållaren för rengöringsmedel efter användning. Rengör behållaren genom att använda rent vatten istället för rengöringsmedel.
- Inkoppla tvättpistolens spärr (D).

8.6 Påfyllning och användning av rengöringsmedel

Rengöringsmedlet ska fördelas med de tillbehör och tillvägagångssätt som beskrivs i punkt 7.3.

Användning av en högtrycksslång som är längre än den i maskinens originalutförande eller användning av en förlängningsslång, kan medföra att insuget av rengöringsmedel från behållaren (beroende på modell) minskar eller upphör helt.

Fyll på behållaren (B6) med rengöringsmedel med hög biologisk nedbrytbarhet.

8.7 Råd för korrekt rengöring

Lös upp smutsen genom att applicera rengöringsmedel på den torra ytan. Rengör vertikala ytor nedifrån och upp. Låt verka i 1 - 2 minuter. Ytan får inte torka. Använd vattenstrålen med högt tryck och på minst 30 cm avstånd. Börja nedifrån. Undvik att sköljvattnet rinner på de ej rengjorda ytorna.

I vissa fall kan det behövas rengöringsborstar för att få bort smutsen. Högtrycksstrålen är inte alltid det bästa rengörings sättet eftersom den kan skada somliga ytor. Undvik att använda det reglerbara munstyckets riktade stråle och det roterande munstycket på ömtåliga och lackerade delar samt på trycksatta delar (däck, däckventiler o.s.v.).

En bra rengöringseffekt beror lika mycket på vattentrycket som vattenmängden.

9 UNDERHÅLL (FIG. 5)/SID. 6

De underhållsmoment som inte tas upp i detta kapitel ska göras av en auktoriserad serviceverkstad.

**Varning - fara!**

Dra ut stickkontakten ur eluttaget innan det utförs arbete på maskinen.

9.1 Rengöring av munstycket

- Lossa tryckröret från tvättpistolen.
- Avlägsna smutsen i munstyckets hål med verktyget (C1).

9.2 Rengöring av filter

Kontrollera sugfiltret (L) och rengöringsmedlets filter (beroende på modell) före varje användning och rengör vid behov enligt anvisningarna.

9.3 Frigöra motorn (beroende på modell)

Om maskinen inte används på en längre tid, kan det bildas kalkavlagringar som får motorn att kvara. Vrid på motoraxeln med verktyget (M) för att frigöra motorn.

9.4 Påfyllning av olja (beroende på modell)

Fyll på olja genom oljepåfyllningshälet upp till korrekt nivå.

För oljeegenskaper, se tabellen Tekniska specifikationer.

Det rekommenderas att byta ut oljan var 500:e drifttimme.

9.5 Förvaring

Kör igenom maskinen med icke korroderande och giftrfri frostskyddsvätska före vinterförvaringen.

Förvara maskinen på en torr plats och skyddad från frost.

10 FÖRVARING OCH TRANSPORT (FIG. 5)/SID. 6

Förvara tillbehören enligt anvisningarna i fig. 5.

Transportera maskinen enligt anvisningarna i fig. 5.

12 ANVISNINGAR FÖR ATT INTE SKADA YTORNA**VARNING!**

- 12.1 Användning av maskinen för rengöring av däck kan skada däcken och vara farligt.
- 12.2 Rikta inte högtrycksstrålen direkt mot däck.
- 12.3 Använd alltid maskinen med lägsta tryck vid rengöring i närheten av hjul och däck.
- 12.4 Använd aldrig turbotryckröret för att rengöra någon del av fordonet.
- 12.5 För ytterligare information, läs kapitel 8.7 Råd för korrekt rengöring.

**EG-försäkring om överensstämmelse**

Annovi Reverberi S.p.A., Modena, Italien, försäkrar att följande maskin/maskiner De Walt:

Maskinbenämning	Högtryckstvätt			
Modell nr.	DXPW 004 E	DXPW 005 E	DXPW 006 E	DXPW 007 E
Effektförbrukning	3 kW	5 kW	5 kW	7,4 kW

överensstämmer med följande EU-direktiv:

2006/42/EG, 2014/35/EU, 2011/65/EU, 2015/863/EU, 2012/19/EU, 2014/30/EU, 2000/14/EG (lagdekret 262/2002).

och att den/de är tillverkad/tillverkade enligt följande standarder eller standardiserade dokument:

EN 60335-1; EN 60335-2-79; EN 55014-1; EN 55014-2; EN 61000-3-2; EN 61000-3-3; EN 61000-3-11; EN 60704-1; EN 62233; EN IEC 63000

Namn på och adress till den person som är behörig att ställa samman den tekniska dokumentationen: Stefano Reverberi / AR Verkställande direktör
Via M.L. King 3 - 41122 Modena, Italien

Bedömningen av överensstämmelse enligt EU-direktivet 2000/14/EG har utförts enligt bilaga V.

Modell nr.	DXPW 004 E	DXPW 005 E	DXPW 006 E	DXPW 007 E
Uppmätt ljudeffektnivå:	93,5 dB (A)	93,9 dB (A)	93,9 dB (A)	94,4 dB (A)
Garanterad ljudeffektnivå:	96 dB (A)	96 dB (A)	96 dB (A)	97 dB (A)

Datum: 2022-03-04

MODENA (I)

Stefano Reverberi

Verkställande direktör

Garanti

Garantis giltighet regleras av gällande bestämmelser i det land där produkten marknadsförs, om inte annat anges av tillverkaren.

Om produkten uppvisar material- eller tillverkningsfel samt fel som orsakas av bristande överensstämmelse med kraven under garantitiden, åtar sig tillverkaren att byta ut defekta delar och reparera eller byta ut rimligt slitna produkter.

Garantin omfattar inte förbrukningsmaterial (ventil, kolv, vattenpackning, oljepackning, fjädrar, O-ringar, tillbehör såsom slang, tvättpipstol, borstar, hjul o.s.v.).

Garantin omfattar inte fel som orsakas av eller uppstår vid:

- felaktig, otillåten eller vårdslös användning,
- uthyrning eller professionellt bruk när maskinen har sålts för hushållsbruk,
- försummelse av underhållsanvisningarna i bruksanvisningen,
- reparationer utförda av icke auktoriserad personal eller serviceverkstäder,
- användning av reservdelar eller tillbehör som inte är original,
- transportskador, skador som orsakas av främmande föremål eller ämnen, olyckor,
- problem med magasinering eller förvaring.

För garantianspråk måste inköpskvittot uppvisas.

För assistans, Sid.: 285.

Tekniska specifikationer

Tekniska specifikationer	Måttenhet	DXPW 004 E	DXPW 005 E	DXPW 006 E	DXPW 007 E
Flöde	l/min	10	13,5	15	14
Max. flöde	l/min	-	-	-	-
Tryck	MPa	12	18	15	21
Max. tryck	MPa	15	20	17	23
Effekt	kW	3	5	5	7,4
Max. inloppstemperatur	°C	60	60	60	60
Max. inloppstryck	MPa	1	1	1	1
Tvättistolens rekyllkraft vid max. tryck	N	24,30	40,10	40,70	44,90
Typ av pumpolja	kg	-	-	-	-
Skyddsklass	-	II/⊕	II/⊕	II/⊕	II/⊕
Motorns isolation	Klass	F	F	F	F
Motorns kapslingsklass	-	IPX5	IPX5	IPX5	IPX5
Spänning	V/Hz	230/50 1~	400/50 3~	400/50 3~	400/50 3~
Max. tillåten nätimpedans	Ω	-	-	-	-
Ljudtrycksnivå L_{in} (EN 60704-1) (K = 2,5 dB(A))	dB (A)	82,1	82,5	82,5	83
Ljudeffektnivå L_{in} (EN 60704-1) (K = 2,5 dB(A))	dB (A)	96	96	96	97
Maskinens vibrationer (K = 1 m/s ²):	m/s ²	<2,5	<2,5	<2,5	<2,5
Vikt	kg	38	40	40	64

Med förbehåll för tekniska ändringar!

1 GÜVENLİK BİLGİLERİ

1.1 Satın almış olduğunuz makine, yüksek basınçlı su ile yıkama makineleri hususunda Avrupa'nın en uzman firmalarından biri tarafından gerçekleştirilmiş, yüksek teknoloji içerikli bir üründür. Makinenizden en üstün performansı elde etmeniz için, dikkatlice okunması ve kullanırken her defa uyulması gereken bu bilgileri sunmaktayız. Makinenin bağlanması, kullanımı ve bakımı esnasında, kendi can güvenliğiniz ve hemen yakın alanlarda bulunan kişilerin can güvenliğini korumak üzere mümkün tüm tedbirler alınmalıdır. Güvenlik talimatlarını dikkatlice okuyunuz ve bunları uygulayınız; bunların ihmal edilmesi, kişilerin sağlığı ve güvenliğini tehlikeye atabilir veya ekonomik hasarlara neden olabilir.

2 BİLGİ İŞARETLERİ

2.1 Makine üzerine uygulanmış olan plaka etiketleri ve semboller ile vurgulanan ve bu talimatlar kapsamında belirtilen işaretlere uyunuz.

Makine ve elkitabında sadece satın alınmış makine açısından geçerli olan sembolere yer verilmiştir. Makine üzerine uygulanmış olan plaka etiketleri ile sembollerin daima sağlam ve okunabilir olduklarını kontrol ediniz; aksi takdirde, orijinal olarak buldukları yerlere uygulayarak, yenileriyle değiştiriniz.

 Dikkat - Tehlike

 Kullanmadan önce, bu talimatları dikkatlice okuyunuz.

 E2 ikonu (bu sembol şekil 1'de mevcut ise) – makinenin profesyonel kullanıma yönelik olduğunu belirtir, yani makine, deneyimi bulunan, teknik, normatif, yasal bilgi sahibi ve makinenin kullanımı ve bakımı için gerekli faaliyetleri gerçekleştirebilecek kapasitede olan kişilere yöneliktir. Bu makine, fiziksel, duyuşsal veya zihinsel yetenekleri tam olmayan veya deneyim ve bilgi sahibi olmayan (çocuklar dâhil) kişiler tarafından kullanılmak için tasarlanmamıştır.

 Hareket halindeki organlar. Dokunmayınız.

0 Şalter kapalı pozisyonu

I Şalter açık pozisyonu

 L_{WA} dB Garanti edilen ses gücü seviyesi



 Yasak işareti, kullanıcıya ulusal yasal düzenlemelerin ürünün içme suyu dağıtım şebekesine bağlanmasını yasaklayabileceklerini belirtir.

 Tehlike işareti, kullanıcıya su jetlerini insanlara, hayvanlara, elektrikli ekipmanlara veya ürünün kendisine doğru yönetilmemesi gerektiğini belirtir.

 Bu ürün yalıtım sınıfı I çerçevesinde konumlanır. Bu, ürünün topraklama koruyucu bir iletkenle (sadece bu sembol makine üzerinde mevcut ise) donatılmış olduğu anlamına gelir.

 Bu ürün, mevzuata uygulanabilir Avrupa direktiflerine uygundur.

 E1 ikonu - makineyi şehir atığı olarak **bertaraf etmeme** yükümlülüğünü belirtir; eski makineniz, yeni bir makine satın alındığında distribütöre teslim edilebilir. Makineyi oluşturan elektrik ve elektronik kısımlar, sağlık açısından tehlikeli maddeler bulundurduklarından, uygun olmayan kullanımlarda yeniden kullanılmamalıdır.

 Koruyucu kulaklık kullanınız.

 Koruyucu maske kullanınız.

 Solunum koruma ekipmanlarını kullanınız.

 Koruyucu eldivenler kullanınız.

 İş kazalarını önleyici ayakkabılar kullanınız.

 Koruyucu giysiler kullanınız.

3 GÜVENLİK KURALLARI/ARTIK RİSKLER

3.1 UYARILAR: YAPILMAMASI GEREKENLER

3.1.1 **DİKKAT.** Çocukların makineyi kullanmasına İZİN VERMEYİNİZ, çocukların makineyle oynamadıklarından emin olmak için onları gözetim altında tutunuz.

3.1.2 **DİKKAT.** Uygun kullanılmadıkları takdirde, basınçlı su jetleri tehlikeli olabilir.



- 3.1.3 DİKKAT.** Makineyi alevlenebilir, zehirli veya makinenin doğru işleyişi ile uyumlu olmayan özelliklere sahip sıvılarla KULLANMAYINIZ. Makinenin potansiyel olarak alevlenebilir veya patlayıcı atmosferde kullanılması yasaktır.
- 3.1.4 DİKKAT.** PATLAMA TEHLİKESİ. Alevlenebilir sıvıları PÜSKÜRTMEYİNİZ.
- 3.1.5 DİKKAT.** Su jetini insanlara veya hayvanlara doğru YÖNLENDİRMEYİNİZ.
- 3.1.6 DİKKAT.** Su jetini makinenin kendisine, elektrikli kısımlarına veya diğer elektrikli aparatlara doğru YÖNLENDİRMEYİNİZ.
- 3.1.7 DİKKAT.** Makineyi makinenin etki alanı içinde koruyucu giysi giymemiş olan kişilerin bulunması halinde KULLANMAYINIZ.
- 3.1.8 DİKKAT.** Makineyi elbise veya ayakkabı temizlemek için kendinize ve başkalarına doğru YÖNLENDİRMEYİNİZ.
- 3.1.9 DİKKAT.** Makineyi yağmur halinde açık alanlarda KULLANMAYINIZ.
- 3.1.10 DİKKAT.** Makine, çocuklar, aciz kişiler ve talimatları okumamış ve anlamamış olan kişiler tarafından HAREKETE GEÇİRİLEMEZ.
- 3.1.11 DİKKAT.** Islak ellerle fiş ve/veya prize DOKUNMAYINIZ.
- 3.1.12 DİKKAT.** Makineyi hasar görmüş elektrik kablosu ile KULLANMAYINIZ. Elektrik kablosu hasar görmüş ise, güvenlik açısından tehlikeleri önlemek için imalatçı tarafından, onun yetkilendirmiş olduğu bir Teknik Servis Merkezi tarafından veya aynı derecede ehliyetli kişiler tarafından bir yenisiyle değiştirilmelidir.
- 3.1.13 DİKKAT.** Bir besleme kablosu veya örneğin güvenlik tertibatları, yüksek basınç hortumları, tabancalar gibi önemli kısımların hasarlı oldukları görülürse, makineyi KULLANMAYINIZ.
- 3.1.14 DİKKAT.** TABANCA TETİĞİNİ işler pozisyonda bloke ETMEYİNİZ.
- 3.1.15 DİKKAT.** Makinenin özellikler plaka etiketiyle donatılmış olduğunu kontrol ediniz, aksi takdirde makineyi satın almış olduğunuz satıcıya haber veriniz. Plaka etiketi olmayan makineler, potansiyel olarak tehlikeli ve anonim olduklarından KULLANILMAMALIDIR.
- 3.1.16 DİKKAT.** Ayarlama valfi ve güvenlik düzenlerini KURCALAMAYINIZ veya bunların ayarını DEĞİŞTİRMEYİNİZ.
- 3.1.17 DİKKAT.** Meme jetinin orijinal çapını TADİL ETMEYİNİZ.
- 3.1.18 DİKKAT.** ELEKTRİK KABLOSUNDAN çekerek makineyi hareket ETTİRMEYİNİZ.
- 3.1.19 DİKKAT.** Taşıtların yüksek basınç hortumu üzerinden geçmesini önleyiniz.
- 3.1.20 DİKKAT.** Yüksek basınç hortumunu çekerek makineyi hareket ETTİRMEYİNİZ.



3.1.21 DİKKAT. Lastikler, lastik supapları ve basınç altında bulunan diğer komponentler üzerine yüksek basınçlı su jetlerinin yönlendirilmesi potansiyel tehlike oluşturur. Döner meme kitini kullanmaktan kaçınınız ve temizlik işlemleri sırasında, her halükarda su jetinden en az 30 cm'lik bir mesafeyi koruyunuz.

3.1.22 DİKKAT. Orijinal olmayan ve özel olarak modele ait olmayan aksesuarların kullanımı yasaktır. Makine üzerinde tadilat yapılması yasaktır; tadilat yapılması, Uygunluk Beyanının geçerliliğini sona erdirir ve imalatçıyı medeni ve cezai sorumluluktan muaf kılar.

3.2 UYARILAR: YAPILMASI GEREKENLER

3.2.1 DİKKAT. Elektrik akımı ileten parçaların hepsinin su jetine karşı KORUNMALARI GEREKİR.

3.2.2 DİKKAT. Elektrik bağlantısı, IEC 60364-1 standartları uyarınca vasıflı bir elektrikçi tarafından gerçekleştirilmelidir. Toprağa geçen akım kaçacağı 30 ms boyunca 30 mA'yı aşılırsa, bu makineye elektrik beslemesini kesen bir kaçak akım koruma şalteri veya bir topraklama arızası devre şalteri öngörülmesi önemle tavsiye edilir.

3.2.3 DİKKAT. Çalıştırma aşaması SIRASINDA makine şebekede parazit oluşmasına neden olabilir.

3.2.4 DİKKAT. Bir kaçak akım koruma şalterinin kullanılması, operatör için ilave bir koruma sağlar (30mA).

3.2.5 DİKKAT. Fiş ile donatılmamış olan modellerde kurma, nitelikli uzman personel tarafından gerçekleştirilmelidir.

3.2.6 DİKKAT. Sadece iletken kesiti uygun olan onaylı elektrik uzatma kablolarını kullanınız.

3.2.7 DİKKAT. Makine denetimsiz olarak bırakıldığında daima şalteri devreden çıkarınız.

3.2.8      

DİKKAT. Yüksek basınç, parçaların sekmesine neden olabilir; operatörün güvenlik altına alınmasını ve hasara uğramamasını sağlayacak tüm giysi ve koruyucu donanımlar (KKD) kullanılmalıdır.

3.2.9 DİKKAT. Makine üzerinde çalışmadan önce fişi ÇEKİNİZ:

3.2.10 DİKKAT. Geri tepme nedeni, tetiğe basmadan önce tabancayı sağlam şekilde KAVRAYINIZ.

3.2.11 DİKKAT. Yerel su dağıtım kurumunun talimatlarına göre HAREKET EDİNİZ. IEC 60335-2-79 standardı uyarınca, sadece su besleme hortumuna EN 12729 standardına uygun nitelikte BA tipi boşaltma tesisatlı bir geri akış engelleme cihazı monte edilmiş ise, makine doğrudan doğruya kamu içme suyu dağıtım şebekesine bağlanabilir. Geri akış engelleme cihazı imalatçıya sipariş edilebilir.

3.2.12 DİKKAT. Geri akış engelleme cihazlarından geçmiş olan su, içilmez su olarak kabul edilir.



- 3.2.13 DİKKAT.** Elektrikli komponentlerin bakımı ve/veya onarımı vasıflı personel tarafından GERÇEKLEŞTİRİLMELİDİR.
- 3.2.14 DİKKAT.** Kalan basıncı, hortumu makineden çözmeden önce BOŞALTINIZ.
- 3.2.15 DİKKAT.** Kullanmadan önce her defa ve düzenli aralıklar ile vidaların sıkılık durumlarını ve makineyi oluşturan parçalarının iyi durumda olduklarını KONTROL EDİNİZ, kırılmış veya aşınmış parçalar olup olmadığını gözden geçiriniz.
- 3.2.16 DİKKAT.** Sadece yüksek basınç hortumu / elektrik kablosu kaplama malzemeleriyle uyumlu deterjanları KULLANINIZ.
- 3.2.17 DİKKAT.** İnsanları ve hayvanları en az 15 m uzaklıkta TUTUNUZ.
- 3.2.18 DİKKAT.** Bu makine, imalatçı tarafından temin veya önemle tavsiye edilen deterjanlarla kullanılmak için tasarlanmıştır. Farklı deterjan veya kimya ürünlerinin kullanılması makine güvenliği üzerinde olumsuz etki gösterebilir.
- 3.2.19 DİKKAT.** Deterjanın deri ve özellikle gözlerle temasından sakınınız. Gözle teması halinde, temiz su ile yıkayarak durulayınız ve derhal doktor yardımına başvurunuz!
- 3.2.20 DİKKAT.** Yüksek basınçlı hortumlar, rakorlar ve bağlantı parçaları makinenin güvenliği açısından önem taşırlar. Sadece imalatçı tarafından tavsiye edilen yüksek basınç hortumları, rakorlar ve bağlantı parçalarını kullanınız.
- 3.2.21 DİKKAT.** Makinenin güvenliğini garanti etmek için sadece imalatçının orijinal yedek parçalarını veya imalatçı tarafından onaylanmış olanları kullanınız.
- 3.2.22 DİKKAT.** Bir uzatma kablosu kullanılıyorsa, soket ve soket su geçirmez konstrüksiyona ait olmalıdır.
- 3.2.23 DİKKAT.** Uygun olmayan uzatma kabloları tehlikeli olabilirler. Bir uzatma kablosunun kullanılması halinde, açık alanda kullanım için uygun olan bir tür seçiniz ve bağlantının kuru kaldığı ve zeminden uzak olduğunu kontrol ederek emin olunuz. Bu amaç doğrultusunda, prizden yerden en az 60 mm uzaklıkta olmasını sağlayacak bir kablo makarası kullanılması önemle tavsiye edilir.
- 3.2.24 DİKKAT.** Montaj, temizleme, ayarlama, bakım, depolama ve nakliye işlemlerini gerçekleştirmeden önce makineyi kapatınız ve güç besleme kaynağından fişini çıkarınız.
- 3.2.25 DİKKAT.** Makineyi açmadan önce boru temizleme kitini kırmızı işarete kadar yerine sokunuz.



4 GENEL BİLGİLER (ŞEKİL 1) SAYFA 3**4.1 Elkitabının kullanımı**

Bu elkitabı makinenin bütüncü bir parçasıdır; gelecekte danışmak için muhafaza edilmelidir. Kurmadan/kullanmadan önce dikkatlice okuyunuz. El değiştirme durumunda, devredenin, elkitabını makinenin yeni sahibine teslim etme zorunluluğu bulunur.

4.2 Teslim

Makine, kısmen demonte edilmiş olarak bir karton ambalajın içinde teslim edilir.

Tedarik kompozisyonu şekil 1'de gösterilmiştir.

4.2.1 Birlikte teslim edilen dokümantasyon

- A1** Kullanım ve bakım elkitabı
- A2** Güvenlik bilgileri
- A3** Uygunluk beyanı
- A4** Garanti kuralları

4.3 Ambalajların imha edilmesi

Ambalajı oluşturan malzemeler çevre kirlenici değildir, buna rağmen malzemeleri kullanıldıkları ülkenin yürürlükteki yönetmeligi uyarınca dönüştürülmeli veya bertaraf edilmelidirler.

5 TEKNİK BİLGİLER (ŞEKİL 1) SAYFA 3**5.1 Öngörülen kullanım**

Makine; taşıtların, makinelerin, su üstünde yüzen araçların, varırcılık işlerinin temizlenmesi v.b. için, giderilmesi zor kirleri temiz su ve biyolojik ayrışabilen kimyasal deterjanlar ile gidermek için bireysel kullanıma yöneliktir.

Taşıtların motorlarının yıkanması, sadece kirli suyun yürürlükteki kanunlar uyarınca giderilmesi halinde uygun görülmüştür.

- Su giriş sıcaklığı: **makine üzerinde bulunan özellikler plaka etiketine bakınız.**

- Su giriş basıncı: **min. 0,1 MPa - max. 1 MPa.**

- İşleme ortamının sıcaklığı: **0°C üstünde.**

Makine, IEC 60335-1 ve IEC 60335-2-79 standardına uygundur.

5.2 Operatör

Makine (profesyonel veya profesyonel olmayan) kullanımından sorumlu operatörü belirlemek için şekil 1'de gösterilen ikona bakınız.

5.3 Başlıca kısımlar

- B2** Lans
- B3** Emniyet mandallı tabanca
- B4** Fişli elektrik kablosu (bu özelliği bulunduran modellerde)
- B5** Yüksek basınç hortumu
- B6** Deterjan haznesi (bu özelliği bulunduran modellerde)
- B7** Yağ doldurma kapağı (bu özelliği bulunduran modellerde)
- E** Meme
- F** Deterjan regülâtörü (bu özelliği bulunduran modellerde)
- G** Basınç regülâtörü (bu özelliği bulunduran modellerde)
- H** İlk hareket mekanizması
- L** Su filtresi

5.3.1 Aksesuarlar (tedarik paketinde öngörülmüş ise -şekil 1'e bakınız)

- | | |
|--|--------------------------|
| C1 Meme temizleme aleti | C10 Vida takımı |
| C2 Döner meme kiti | C11 Braketler |
| C3 Sap | C12 Levye |
| C4 Fırça | C13 Deterjan kiti |
| C5 Hortum makarası | C14 Tekerlekler |
| C6 Su emme kiti | C15 Tüp greş yağı |
| C7 Jet borularını temizleme kiti | C16 Manometre |
| C8 Büyük yüzeyler için fırça kiti | C17 Adaptör |
| C9 Adaptör | |

5.4 Güvenlik düzenleri

- İlk hareket mekanizması (H)

İlk hareket mekanizması makinenin istenmeden tesadüfi kullanımını önler.

⚠ Dikkat - tehlike!

Emniyet vanasının ayarını kurcalamayınız veya değiştirmeyiniz.

- Emniyet vanası ve/veya basınç sınırlayıcısı. Emniyet vanası, aynı zamanda bir basınç sınırlama vanasıdır. Tabanca kapatıldığı zaman vana açılır ve su, pompa emmesi aracılığı ile devridaim eder veya yere boşaltılır.
- Termostatik vana (D1 bu özelliği bulunduran modellerde)
- Su sıcaklığı üretici tarafından öngörülen sıcaklığı aşar ise, termostatik vana sıcak suyu tahliye eder ve doğru sıcaklığı yeniden düzenlene-yene kadar boşaltılmış olan suya eşit miktarda soğuk su emer.
- Emniyet mandalı (D): istenmeden tesadüfi su jetini önler.
- Termik koruma: aşırı yük halinde termik koruma makineyi durdurur.

6 KURMA (ŞEKİL2)/SAYFA 4**6.1 Montaj****⚠ Dikkat - tehlike!**

Tüm kurma ve montaj işlemleri, makinenin elektrik şebekesi ile bağlantısı kesilmiş olarak yapılmalıdır.

Montaj sırası için bakınız şekil 2.

6.2 Basınç tahliye kapaklarının montajı (bu özelliği bulunduran modellerde)

Yağ kaçaklarını önlemek amacıyla makine yağ doldurma ağızları kırmızı renkli kapaklar ile kapatılmış olarak teslim edilir; bu kırmızı kapakların, tedarik dâhilinde bulunan basınç tahliye kapakları ile değiştirilmesi gerekir.

6.3 Döner memenin montajı

(Döner meme ile donatılmış modeller için)

Döner meme kiti daha yüksek bir yıkama gücü verilmesini sağlar.

Döner memenin kullanımı, ayarlanabilir meme ile elde edilen basınca göre %25'e eşit bir basınç düşüşüne karşılık gelebilir. Her halükarda döner memenin kullanımı, su jetinin dönmeye hareketi sayesinde daha yüksek yıkama gücü sağlanmasına imkân tanır.

6.4 Elektrik bağlantısı**⚠ Dikkat - tehlike!**

Elektrik şebekesinin, tanımlayıcı plaka etiketinde gösterilen voltaj ve frekansa (V-Hz) uyduğunu kontrol ediniz (şekil 2).

6.4.1 Uzatma kablolarının kullanımı

"IPX5" koruma dereceli kabloları ve fişleri kullanınız.

Uzatma kablolarının kesiti, kablo uzunluğu ile orantılı olmalıdır; kablo ne kadar uzun olursa, kesit o kadar geniş olmalıdır. Bakınız tablo 1.

6.5 Su bağlantısı**⚠ Dikkat - tehlike!**

Sadece filtreden geçirilmiş veya temiz suyu emdirin. Su alma musluğunun debi oranı, pompanın debi oranına eş değerde olmalıdır.

Makineyi mümkün olduğunca su besleme şebekesine yakın olarak yerleştiriniz.

6.5.1 Su besleme bağlantıları

- Su çıkışı (OUTLET)
- Filtreli su girişi (INLET)

6.5.2 Kamu su şebekesine bağlantı

Sadece su besleme hortumuna yürürlükteki standartlara uygun nitelikte boşaltma tesisatlı bir geri akış engelleme cihazı monte edilmiş ise, makine doğrudan doğruya kamu içme suyu dağıtım şebekesine bağlanabilir. Hortumun; en az Ø 13 mm, takviye edilmiş ve uzunluğunu 25 metreyi aşmadığı kontrol ederek emin olunuz.

6.5.3 Açık kaplardan su emme

- 1) Filtreli su emme hortumunu su girişine (INLET) vidalayınız ve kap dibine kadar daldırınız.
- 2) Makinedeki havayı boşaltınız:
 - a) Lansı, vidalarını çözerek çıkarınız.
 - b) Makineyi çalıştırınız ve dışarı akan suya hava kabarcıkları kalmayana kadar tabancayı açık tutunuz.
 - 3) Makineyi kapatınız ve lansı yeniden vidalayarak takınız.
- Not: maksimum emme yüksekliği 0,5 m. olmalıdır. Emme hortumunun kullanımından önce doldurulması tavsiye edilir.

7 AYARLAR (ŞEKİL 3)/SAYFA 5

- 7.1 Püskürtme memesinin ayarlanması** (bu özelliği bulunduran modellerde)
Su jeti (E) meme ayarlanarak düzenlenir.
- 7.2 Deterjan dağıtımını ayarlama**
Doğru basınçta deterjan vermek için memeyi (E) (bu özelliği bulunduran modellerde) "■" pozisyonuna getiriniz veya deterjan kitini (C13) (bu özelliği bulunduran modellerde) şekil bağlamında gösterildiği gibi monte ediniz.
Verilecek deterjan miktarının doz ayarını regülatörü (F) ile yapınız (bu özelliği bulunduran modellerde).
- 7.3 Çalışma basıncının ayarlanması** (bu özelliği bulunduran modellerde)
Çalışma basıncını değiştirmek için regülatörü (G) kullanınız. Basınç manometre (mevcut olduğunda) üzerinde belirtilir.

8 KULLANIM BİLGİLERİ (ŞEKİL 4) SAYFA 5**8.1 Kumandalar**

- İlk hareket mekanizması (H).

İlk hareket mekanizmasını, aşağıda belirtilenleri yapabilmek için (ON/I) pozisyonuna getiriniz:

a) motorun harekete geçirilmesi (TSS mekanizması olmayan modellerde);
b) motorun işleme hazırlanması (TSS mekanizması ile donatılmış modellerde).

İlk hareket mekanizması ikaz lambası ile donatılmış ise, bu lamba yanmalıdır.

İlk hareket mekanizmasını, makinenin işlemini durdurmak için (OFF/0) pozisyonuna getiriniz.

İlk hareket mekanizması ikaz lambası ile donatılmış ise, bu lamba sönmelidir.

- Su jeti kumanda kolu (I).

⚠ Dikkat - tehlike!

Makine, şekil 4 bağlamında belirtilmiş olduğu gibi güvenli ve sabit bir düzey üzerine yaslanmalıdır.

8.2 Harekete geçirme (bakınız şekil 4)

- 1) Su şebekesinin musluğunu tamamen açınız.
- 2) Emniyet mandalını serbest bırakınız (D).
- 3) Tabancayı birkaç saniye açık tuttuktan sonra ilk hareket mekanizması (ON/I) ile makineyi çalışmaya başlatınız.

⚠ Dikkat - tehlike!

Makineyi çalışmaya başlatmadan önce, doğru olarak su ile beslendiğini kontrol ediniz; kuruda çalışma makineye zarar verir; işleme sırasında havalandırma ızgaraları kapatılmamalıdır.

TSS modelleri - Beslemenin otomatik olarak kesildiği TSS modellerinde:

- tabanca **kapatıldığında**, dinamik basınç otomatik olarak elektrikli motoru kapatır;
- tabanca **açıldığında**, basınç düşüşü otomatik olarak motoru çalıştırır ve basınç çok küçük bir gecikme ile tekrar oluşur;
- TSS'nin doğru işleme için tabanca **kapama** ve **açma** işlemleri 4-5 saniyeden **daha az** bir zaman aralığında **gerçekleştirilmemelidir**.

Makineye zarar verilmesini önlemek için makinenin kuru çalıştırılmasından kaçınılmalı ve makinenin daima uygun şekilde suyla beslendiği kontrol edilmelidir.

TSS ile donatılmamış olan modellerde, su sıcaklığının artışı nedeni makineye zarar verilmesini önlemek için makine işler durumda iken su jeti 5 dakikadan daha uzun bir süre boyunca kesilmemelidir.

8.3 Stop

- 1) İlk hareket mekanizmasını (OFF/0) pozisyonuna getiriniz.
- 2) Tabancayı açınız ve boruların içindeki basıncı boşaltınız.
- 3) Emniyet mandalını devreye alınız (D).

8.4 Yeniden çalıştırma

- 1) Emniyet mandalını serbest bırakınız (D).

2) Tabancayı açınız ve boruların içindeki havayı boşaltınız.

3) İlk hareket mekanizmasını (ON/I) pozisyonuna getiriniz.

8.5 Hizmet dışına çıkarma

- 1) Su musluğunu kapatınız.
- 2) Makineden bütün su dışarı akana kadar tabancadan artık basıncı boşaltınız.
- 3) Makineyi kapatınız (OFF/0).
- 4) Fişi prizden çıkarınız.
- 5) Çalışma sonunda deterjan haznesini boşaltınız ve yıkayınız. Haznesini yıkaması için deterjan yerine temiz su kullanınız.
- 6) Tabancanı emniyet mandalını (D) devreye alınız.

8.6 Deterjan doldurulması ve kullanımı

Deterjan, 7.3 sayılı noktada öngörülen aksesuarlar ve yöntemlere göre verilmelidir.

Makinenin orijinal donatımında bulunandan daha uzun bir yüksek basınç hortumunun kullanılması veya yedek bir hortum uzatmasının kullanımı, haznedeki (bu özelliği bulunduran modellerde) deterjan emmesini azaltabilir veya tamamen durdurabilir.

Hazneyi (B6) yüksek biyolojik bozunma niteliğine sahip deterjan ile doldurunuz.

8.7 Doğru yıkama için tavsiyeler

Kuru yüzey üzerine deterjan uygulayarak kirin çözülmesini sağlayınız. Dikey yüzeyler üzerinde aşağıdan yukarıya doğru çalışınız. Etki göstermesi için 1-2 dakika bekleyiniz, ancak yüzeyin kurumasına izin vermemeyiniz. Aşağıdan yukarıya doğru çalışmaya başlayarak, yüksek basınçlı jeti en az 30 cm mesafeden uygulayınız. Durulama sularının yıkamamış yüzeyler üzerine akmasından kaçınınız. Bazı durumlarda kir giderilmesi için yıkama fırçalarının mekanik işlemi gereklidir.

Bazı yüzeyleri hasara uğratabileceğinden, yüksek basınç her zaman iyi bir yıkama için en iyi çözümü temsil etmez. Ayarlanabilir memenin işleme için kullanıldığında ve hassas ve vernikli parçaların üzerinde ve basınçlı komponentler (örneğin lastikler, şişirme supapları...) üzerinde döner memenin kullanıldığında kaçınılması tavsiye edilir.

İyi bir yıkama etkisinin elde edilmesi, eşit ölçüde, su basıncına ve hacmine bağlıdır.

9 BAKIM (ŞEKİL 5)/SAYFA 6

Bu bölümde yer almayan tüm bakım müdahaleleri bir yetkili satış ve Servis Merkezi tarafından yapılmalıdır.

⚠ Dikkat - tehlike!

Makine üzerinde herhangi bir müdahalede bulunma önce fişi elektrikli prizden çıkartınız.

9.1 Meme temizleme

- 1) Lansı tabancadan sökünüz.
- 2) Alet ile meme deliğinden kırı çıkarınız (C1).

9.2 Filtre temizliği

Her kullanımdan önce emme filtresini (L) ve deterjan filtresini (bu özelliği bulunduran modellerde) kontrol ediniz ve gerekli olması halinde, belirtilmiş olduğu gibi temizleyiniz.

9.3 Motorun debloke edilmesi (bu özelliği bulunduran modellerde)
Makinenin uzun süre kullanılmadığı durumlarda, kireç birikimleri motorun bloke olmasına neden olabilir. Motoru debloke etmek için bir alet ile motor milini döndürünüz (M).**9.4 Yağ ilave edilmesi** (bu özelliği bulunduran modellerde)
Doğru seviyeyi yeniden düzenleyene kadar dolum ağzından yağ ilave ediniz.

Yağ özellikleri için "Teknik Veriler" tablosuna bakınız.

Her 500 kullanım saatinden sonra yağın değiştirilmesi tavsiye edilir.

9.5 Sezon sonu depolama

Kış mevsimi için depoya kaldırma öncesinde, makineyi korozyf ve zehirli olmayan donma önleyici sıvı ile çalıştırınız.

Cihazı kuru ve dondan korunan bir mekânda muhafaza ediniz.

10 DEPOLAMA VE TAŞIMA (ŞEKİL 5)/ SAYFA 6

Aksesuarları şekil 5 bağlamında öngörüldüğü gibi depolayınız.

Makineyi şekil 5 bağlamında öngörüldüğü gibi taşıyınız.

12 YÜZEYLERE ZARAR VERMEKTEN NASIL KAÇINABİLİRİZ**DİKKAT**

- 12.1 Lastiklerin yıkanması için makinenin kullanımı, lastiklerde hasarlara neden olabilir ve tehlike yaratabilir.
- 12.2 Yüksek basınçlı jeti, doğrudan lastik üzerine yönlendirmeyiniz.
- 12.3 Tekerlekler ve lastikler yakınında temizlik işlemleri gerçekleştirildiğinde, makineyi daima en düşük basınçta kullanınız.
- 12.4 Aracın herhangi bir kısmını yıkamak için asla "Turbo lans"ı kullanmayınız.
- 12.5 Detaylı bilgiler için burada belirtilen bölümü okuyunuz: "8.7 Doğru yıkama tavsiyeleri".

**CE uygunluk beyanı**

Biz, Modena, İtalya'da kâin Annovi Reverberi S.p.A., aşağıdaki De Walt makinesi/makinelerinin:

Makine adı	Yüksek basınçlı yıkama makinesi			
Model No.	DXPW 004 E	DXPW 005 E	DXPW 006 E	DXPW 007 E
Emilen güç	3 kW	5 kW	5 kW	7,4 kW

aşağıdaki Avrupa direktiflerine uygun olduğunu (olduklarını):

2006/42/EC, 2014/35/EU, 2011/65/EU, 2015/863/EU, 2012/19/EU, 2014/30/EU, 2000/14/EC (Kanun hükmünde Kararname 262/2002);

ve aşağıdaki yönetmeliklere veya standartlaştırılmış aşağıdaki belgelere uygun olarak üretilmiş olduğunu (olduklarını) beyan ederiz:

EN 60335-1; EN 60335-2-79; EN 55014-1; EN 55014-2; EN 61000-3-2; EN 61000-3-3; EN 61000-3-11; EN 60704-1; EN 62233; EN IEC 63000

Teknik faskülün verilmesi konusunda yetkili kişinin ismi ve adresi: Stefano Reverberi / AR Managing Director

Via ML King, 3 - 41122 Modena, İtalya

2000/14/EC direktifi çerçevesinde talep edilen uygunluk değerlendirme prosedürü Ek V esaslarına uygun olarak gerçekleştirilmiştir

Model No.	DXPW 004 E	DXPW 005 E	DXPW 006 E	DXPW 007 E
Ölçülmüş olan ses gücü seviyesi:	93,5 dB (A)	93,9 dB (A)	93,9 dB (A)	94,4 dB (A)
Garanti edilen ses gücü seviyesi:	96 dB (A)	96 dB (A)	96 dB (A)	97 dB (A)

Tarih: 04.03.2022

MODENA (I)

Stefano Reverberi


Managing Director

Garanti

Garantinin geçerliliği, (üretici tarafından farklı şekilde belirtmesi dışında) ürünün piyasaya sürüldüğü ülkede geçerli kanunlar tarafından düzenlenir .

Ürünün, garanti geçerlilik süresinde, malzeme kalitesi, imalat veya uygunsuzluktan kaynaklanan nedenlerden ötürü hatalı çıkması halinde, imalatçı hatalı kısımların değiştirilmesini garanti eder, haklı olarak aşınmış olmaları halinde, ürünlerin onarılmasını veya değiştirilmesini sağlar.

Garanti, normal aşınmaya tabi olan komponentleri kapsamaz (vanalar, piston, su contası, yağ contası, yaylar, OR ringler, hortum, tabanca, fırçalar, tekerlekler, v.b. gibi aksesuarlar);

Garanti, aşağıdakilerin neden olduğu veya aşağıdakilerden kaynaklanan kusurları kapsamaz:

- doğru olmayan kullanım, izin verilmeyen kullanım, ihmalkârlık,
- ürünün evde kullanım için satılmış olduğu durumlarda, kiralama veya profesyonel kullanım,
- özel elkitabında öngörülen bakım kurallarına riayet edilmemesi,
- yetki sahibi olmayan personel veya merkezler tarafından yapılmış onarımlar,
- orijinal olmayan yedek parça veya aksesuarların kullanımı,
- taşıma, yabancı nesne veya maddeler, kaza nedeni hasarlar,
- ambar ve depolama problemleri.

Garantiyi geçerli kılmak için satın alma kanıtının ibraz edilmesi gerekir.

Teknik servis, Sayfa: 285.

Teknik Veriler

Teknik Veriler	Birim	DXPW 004 E	DXPW 005 E	DXPW 006 E	DXPW 007 E
Debi oranı	l/dk	10	13,5	15	14
Maksimum debi oranı	l/dk	-	-	-	-
Basınç	MPa	12	18	15	21
Maksimum basınç	MPa	15	20	17	23
Güç	kW	3	5	5	7,4
Maksimum besleme sıcaklığı	°C	60	60	60	60
Maksimum besleme basıncı	MPa	1	1	1	1
Maksimum basınçta tabancanın itme kuvveti	N	24,30	40,10	40,70	44,90
Pompa yağ tipi	kg	-	-	-	-
Koruma sınıfı	-	II/⊕	II/⊕	II/⊕	II/⊕
Motor Yalıtımı	Sınıfı	F	F	F	F
Motor Koruma	-	IPX5	IPX5	IPX5	IPX5
Gerilim	V/Hz	230/50 1~	400/50 3~	400/50 3~	400/50 3~
Elektrik şebekesinin izin verilen maksimum empedansı	Ω	-	-	-	-
Ses basınç seviyesi L_{pA} (EN 60704-1) (K = 2,5 dB(A))	dB (A)	82,1	82,5	82,5	83
Ses gücü seviyesi L_{WA} (EN 60704-1) (K = 2,5 dB(A))	dB (A)	96	96	96	97
Cihazın titreşimleri (K = 1 m/s ²):	m/s ²	<2,5	<2,5	<2,5	<2,5
Ağırlık	kg	38	40	40	64

Teknik değişiklik yapma hakkı saklıdır!

1 ІНСТРУКЦІЇ З ТЕХНІКИ БЕЗПЕКИ

1.1 Придбаний вами пристрій є високотехнологічною розробкою одного з провідних європейських виробників мийок високого тиску. Для того щоб пристрій працював з максимальною ефективністю, уважно прочитайте цю брошуру та завжди дотримуйтесь інструкцій під час експлуатації. Під час підключення, експлуатації та обслуговування пристрою вживайте всіх можливих заходів безпеки для власного захисту та захисту людей, які перебувають у безпосередній близькості. Уважно прочитайте правила техніки безпеки та виконуйте їх за будь-яких обставин. Невиконання цих положень може поставити під загрозу здоров'я та безпеку людей або спричинити значні матеріальні збитки.

2 ЗНАКИ БЕЗПЕКИ

2.1 Дотримуйтеся інструкцій на знаках та символах безпеки, розташованих на пристрої та зображених у цьому посібнику.

На пристрої та в посібнику містяться лише ті символи, які відповідають придбаній моделі. Прикріплені до пристрою символи та знаки завжди мають бути присутніми та розбірливими; в іншому разі прикріпіть їхні замітники на вихідних місцях.

 Попередження – Застереження – Ризик

 Перед експлуатацією уважно прочитайте цю інструкцію.

 Символ E2 (якщо він міститься в посібнику) означає, що пристрій призначено для професійного вжитку, тобто для використання досвідченими людьми, ознайомленими з відповідними технічними, нормативними та законодавчими факторами та спроможними виконувати операції з експлуатації та обслуговування пристрою. Цей пристрій не призначено для використання дітьми, особами з обмеженими фізичними, сенсорними або розумовими можливостями чи людьми з браком досвіду та знань.

 Рухомі частини. Не торкатися.

0 Положення «Вимкнено».

I Положення «Увімкнено».



Гарантований рівень акустичної потужності.



 Знак заборони, який інформує користувачів про те, що місцеві норми можуть забороняти під'єднання виробу до системи постачання питної води.



Знак небезпеки, який попереджає користувачів про те, що не можна спрямовувати струмінь води на людей, тварин, електрообладнання та сам виріб.



Цей виріб має ізоляцію класу I. Це означає, що його оснащено захисним дротом заземлення (лише якщо символ присутній на пристрої).

CE Виріб відповідає вимогам належних європейських директив.



Символ E1 означає, що пристрій **не слід утилізувати** як комунальні відходи; його можна віддати продавцю після придбання нового пристрою. Електричні та електронні частини пристрою не слід повторно використовувати не за призначенням, оскільки вони містять небезпечні для здоров'я речовини.



Надіньте засоби захисту органів слуху.



Надіньте захисну маску.



Надіньте засоби захисту органів дихання.



Надіньте захисні рукавички.



Надіньте захисне взуття.



Надіньте захисний одяг.

3 ПРАВИЛА ТЕХНІКИ БЕЗПЕКИ/ЗАЛИШКОВІ РИЗИКИ

3.1 ЗАБОРОНЕНО З МІРКУВАНЬ БЕЗПЕКИ

3.1.1 Попередження. НЕ дозволяйте дітям користуватися пристроєм; наглядуйте за дітьми, щоб переконатися, що вони з ним не грають.



- 3.1.2 Попередження.** У разі неправильного застосування струмені високого тиску можуть бути небезпечними.
- 3.1.3 Попередження.** НЕ використовуйте пристрій із займистими чи токсичними рідинами або будь-якими виробами, які не сумісні з його коректною роботою. Заборонено використовувати пристрій у потенційно легкозаймистій або вибухонебезпечній атмосфері.
- 3.1.4 Попередження.** РИЗИК ВИБУХУ. НЕ використовуйте пристрій для розбризкування займистих рідин.
- 3.1.5 Попередження.** НЕ спрямовуйте струмінь води на людей або тварин.
- 3.1.6 Попередження.** НЕ спрямовуйте струмінь води на сам пристрій, електричні частини або інше електричне обладнання.
- 3.1.7 Попередження.** НЕ користуйтеся пристроєм, коли в діапазоні його дії знаходяться люди, якщо вони не вдягнуті в захисний одяг.
- 3.1.8 Попередження.** НЕ спрямовуйте струмінь води на себе або інших осіб для чищення одягу чи взуття.
- 3.1.9 Попередження.** НЕ користуйтеся пристроєм надворі, коли йде дощ.
- 3.1.10 Попередження.** НЕ дозволяйте використовувати пристрій дітям, некомпетентним особам або людям, які не прочитали та не зрозуміли інструкцій.
- 3.1.11 Попередження.** НЕ торкайтеся штепсельної вилки та/або розетки мокрими руками.
- 3.1.12 Попередження.** НЕ користуйтеся пристроєм, якщо пошкоджено електричний кабель. Якщо пошкоджено електричний кабель, то для запобігання нещасним випадкам заміну має виконати виробник, один із його авторизованих сервісних центрів або особи, які мають аналогічну кваліфікацію.
- 3.1.13 Попередження.** НЕ використовуйте пристрій у разі пошкодження кабелю живлення чи важливих частин, зокрема запобіжних пристроїв, шлангів високого тиску чи пістолета-розпилювача.
- 3.1.14 Попередження.** НЕ блокуйте пусковий важіль в робочому положенні.
- 3.1.15 Попередження.** Переконайтеся, що до пристрою прикріплена табличка з технічними характеристиками; в іншому разі зверніться до продавця. НЕ можна використовувати пристрої без табличок, оскільки вони не можуть бути ідентифіковані та є потенційно небезпечними.
- 3.1.16 Попередження.** НЕ змінюйте та не регулюйте налаштування запобіжного клапана чи запобіжних пристроїв.
- 3.1.17 Попередження.** НЕ змінюйте оригінальний діаметр насадки-розпилювача.
- 3.1.18 Попередження.** НЕ переміщуйте пристрій, тягнучи його за ЕЛЕКТРИЧНИЙ КАБЕЛЬ.
- 3.1.19 Попередження.** Слідкуйте за тим, щоб транспортні засоби не переїжджали шланг високого тиску.



- 3.1.20** Попередження. НЕ переміщуйте пристрій, тягнучи його за шланг високого тиску.
- 3.1.21** Попередження. Струмінь високого тиску, спрямований на шини, вентиля шин чи інші компоненти під тиском, становить потенційну загрозу. Під час миття не використовуйте комплект поворотної насадки та завжди тримайте струмінь на відстані принаймні 30 см.
- 3.1.22** Попередження. Заборонено використовувати неоригінальне приладдя та будь-які інші запасні частини, не призначені безпосередньо для відповідної моделі. Заборонено вносити до пристрою будь-які модифікації; будь-які модифікації анулюють Декларацію відповідності та звільняють виробника від усіх зобов'язань згідно з цивільним і кримінальним правом.

3.2 ВИМАГАЄТЬСЯ З МІРКУВАНЬ БЕЗПЕКИ

- 3.2.1** Попередження. Усі електричні дроти МАЮТЬ БУТИ ЗАХИЩЕНІ від струменя води.
- 3.2.2** Попередження. Електричне підключення має виконувати кваліфікований електрик відповідно до вимог ІЕС 60364-1. Необхідно встановити пристрій захисного вимкнення, який вимикає електроживлення, якщо витік струму в землю перевищує 30 мА за 30 мс, або переривач замикання на землю.
- 3.2.3** Попередження. ПІД ЧАС запуску пристрій може викликати перешкоди в електромережі.
- 3.2.4** Попередження. Використання пристрою захисного вимкнення (ПЗВ) забезпечує додатковий захист для оператора (30 мА).
- 3.2.5** Попередження. Монтаж моделей, які постачаються без штепсельної вилки, має здійснювати кваліфікований персонал.
- 3.2.6** Попередження. Користуйтеся лише сертифікованими електричними подовжувачами з дротами належного поперечного перерізу.
- 3.2.7** Попередження. Завжди вимикайте пристрій, коли залишаєте його без нагляду.

- 3.2.8**      

Попередження. Високий тиск може викликати віддачу в компонентах: одягайте весь захисний одяг (І33) та обладнання, необхідне для безпеки оператора.

- 3.2.9** Попередження. Перш ніж виконувати роботи на пристрої, ВИТЯГНІТЬ штепсельну вилку з розетки.
- 3.2.10** Попередження. Перш ніж натиснути на пусковий важіль, міцно ВІЗЬМІТЬСЯ за пістолет-розпилювач для протидії віддачі.
- 3.2.11** Попередження. ДОТРИМУЙТЕСЯ місцевих норм із водопостачання. Згідно з вимогами ІЕС 60335-2-79 пристрій можна під'єднувати до лінії постачання питної води, лише якщо шланг подачі має зворотний клапан з дренажною здатністю відповідно до стандарту EN 12729, тип ВА. Зворотний клапан можна замовити у виробника.



- 3.2.12 Попередження.** Вода, яка витікає через зворотні клапани, вважається непридатною для пиття.
- 3.2.13 Попередження.** Обслуговування та/або ремонт електричних компонентів МАЄ проводити кваліфікований персонал.
- 3.2.14 Попередження.** СКИНЬТЕ залишковий тиск, перш ніж від'єднувати шланг від пристрою.
- 3.2.15 Попередження.** Перед кожним використанням та регулярно ПЕРЕВІРЯЙТЕ, чи всі гвинти повністю затягнуто та чи немає зламаних або спрацьованих компонентів.
- 3.2.16 Попередження.** ВИКОРИСТОВУЙТЕ ЛИШЕ ті засоби для миття, які не пошкодять покриття шланга високого тиску/електричного кабелю.
- 3.2.17 Попередження.** Люди чи тварини МАЮТЬ перебувати на відстані щонайменше 15 м від пристрою.
- 3.2.18 Попередження.** Цей пристрій призначено для використання із засобами для миття, які постачає чи рекомендує виробник пристрою. Використання інших засобів для миття або хімічних речовин може негативно вплинути на безпеку експлуатації пристрою.
- 3.2.19 Попередження.** Запобігайте контакту засобу для миття зі шкірою та особливо з очима! У разі контакту з очима негайно промийте їх великою кількістю води та зверніться за медичною допомогою!
- 3.2.20 Попередження.** Шланги, фітинги та з'єднання високого тиску мають велике значення для безпеки пристрою. Користуйтеся лише шлангами, фітингами та з'єднаннями високого тиску, рекомендованими виробником.
- 3.2.21 Попередження.** Для гарантування безпеки пристрою використовуйте лише оригінальні частини від виробника або затверджені ним частини.
- 3.2.22 Попередження.** Якщо використовується подовжувач, сокет і сокет має бути водонепроникним.
- 3.2.23 Попередження.** Невідповідні подовжувачі можуть бути небезпечними. Якщо використовується подовжувач, він має бути придатним для використання надворі, а з'єднання має бути сухим і не торкатися землі. Настійно рекомендуємо використовувати катушку для кабелю живлення, завдяки якій розетка знаходиться щонайменше в 60 мм над землею.
- 3.2.24 Попередження.** Перед збиранням, чищенням, налаштуванням, обслуговуванням, зберіганням і транспортуванням вимикайте пристрій і від'єднуйте його від мережі електроживлення.
- 3.2.25 Попередження.** Перш ніж вмикати пристрій, вставте комплект трубки для розпилення до червоної позначки.



4 ЗАГАЛЬНА ІНФОРМАЦІЯ (МАЛ. 1)/СТОР. 3

4.1 Користування посібником

Посібник є невід'ємною складовою комплексу постачання пристрою, тому його слід зберігати для використання в майбутньому. Уважно прочитайте посібник, перш ніж установлювати/використовувати пристрій. Якщо пристрій продано, продавець має передати цей посібник його новому власнику.

4.2 Доставка

Пристрій доставляють частково зібраним у картонній коробці. Комплект постачання зображено на мал. 1.

4.2.1 Документація, яка входить до комплексу постачання пристрою

- A1** Посібник з експлуатації та обслуговування
- A2** Інструкції з техніки безпеки
- A3** Декларація відповідності
- A4** Гарантійні положення

4.3 Утилізація упаковки

Пакувальні матеріали не забруднюють навколишнього середовища, проте їх слід переробити чи утилізувати згідно з відповідними законодавчими нормами, які діють у країні використання.

5 ТЕХНІЧНА ІНФОРМАЦІЯ (МАЛ. 1)/СТОР. 3

5.1 Використання за призначенням

Цей пристрій призначено для індивідуального використання з метою чищення транспортних засобів, машин, човнів, кам'яної кладки тощо для видалення складних забруднень за допомогою чистої води та засобів для миття, що розкладаються біологічним шляхом.

Двигун транспортних засобів можна мити лише за умови утилізації брудної води відповідно до чинних норм.

- Температура води на вході: **див. таблицю з технічними характеристиками на пристрої.**

- Тиск води на вході: **мін. 0,1 МПа — макс. 1 МПа.**

- Робоча температура навколишнього повітря: **понад 0 °C.**

Пристрій відповідає стандартам IEC 60335-1 і IEC 60335-2-79.

5.2 Оператор

Символ, зображений на мал. 1, позначає призначеного для пристрою оператора (професіонала чи непрофесіонала).

5.3 Основні компоненти

- B2** Трубка
- B3** Пістолет-розпилювач із запобіжним стопором
- B4** Електричний кабель зі штепсельною вилкою (у моделях з відповідною комплектацією)
- B5** Шланг високого тиску
- B6** Бак засобу для миття (у моделях з відповідною комплектацією)
- B7** Ковпачок оливноїци (у моделях з відповідною комплектацією)
- E** Насадка
- F** Регулятор засобу для миття (у моделях з відповідною комплектацією)
- G** Регулятор тиску (у моделях з відповідною комплектацією)
- H** Стартер
- L** Водяний фільтр

5.3.1 Приладдя (якщо входить до комплексу постачання — див. мал. 1)

- | | |
|--|---|
| C1 Інструмент для чищення | C9 Адаптер |
| C2 Комплект поворотної насадки | C10 Гвинти |
| C3 Ручка | C11 Скоби |
| C4 Щітка | C12 Важіль |
| C5 Котушка для шланга | C13 Комплект засобу для миття |
| C6 Комплект для всмоктування води | C14 Колеса |
| C7 Комплект трубки для розливання | C15 Тюбик з консистентним мастилом |
| C8 Комплект щітки для чищення великих поверхонь | C16 Манометри |
| | C17 Адаптер |

5.4 Запобіжні пристрої

- Стартер (H).

Стартер запобігає випадковому використанню пристрою.

⚠️ Попередження — небезпечно!

Не змінюйте та не регулюйте налаштувань запобіжного клапана.

- Запобіжний клапан та/або клапан обмеження тиску.

Запобіжний клапан також є клапаном обмеження тиску. Якщо відпустити пусковий важіль пістолета-розпилювача, клапан відкривається, й вода рециркулює через вхідний канал насоса або вливається на підлогу.

- Клапан термостата (D1, якщо встановлено).
- Якщо температура води перевищує температуру, передбачену виробником, клапан термостата випускає гарячу воду та всмоктує об'єм холодної води, який дорівнює об'єму випущеної води, доки не буде відновлено нормальну температуру.
- Запобіжний стопор (D): запобігає випадковому розпиленню води.
- Автоматичний вимикач: зупиняє пристрій у разі перевантаження.

6 ВСТАНОВЛЕННЯ (МАЛ. 2)/СТОР. 4

6.1 Збирання

⚠️ Попередження — небезпечно!

Усі операції зі встановлення та збирання слід виконувати, коли пристрій від'єднано від мережі електропостачання.

Послідовність збирання показано на мал. 2.

6.2 Встановлення декомпресійних ковпачків (у моделях з відповідною комплектацією)

Для запобігання витку мастила пристрій постачається з мастилозбірниками, герметизованими червоними ковпачками, які слід замінити декомпресійними ковпачками, які входять до комплексу постачання.

6.3 Установлення поворотної насадки (у моделях з відповідною комплектацією)

Комплект поворотної насадки дозволяє підвищити потужність миття. Використання поворотної насадки може спричинити зниження тиску на 25 % порівняно з тиском, досягнутим за допомогою регульованої насадки. Проте комплект поворотної насадки забезпечує більшу потужність миття завдяки обертанню струменя води.

6.4 Під'єднання до електромережі

⚠️ Попередження — небезпечно!

Переконайтеся, що напруга та частота (В – Гц) мережі електроживлення відповідають значенням, вказаним у таблиці з технічними характеристиками (мал. 2).

6.4.1 Використання подовжувачів
Використовуйте кабелі зі штепсельні вилки з рівнем захисту IPX5.

Поперечний переріз подовжувача має бути пропорційним його довжині: що довший подовжувач, то більшим має бути його поперечний переріз. Див. таблицю 1.

6.5 З'єднання для постачання води

⚠️ Попередження — небезпечно!

До пристрою має надходити лише чиста чи фільтрована вода. Швидкість потоку в крані подачі води має дорівнювати швидкості потоку в насосі.

Розташуйте пристрій якомога ближче до системи водопостачання.

6.5.1 Точки з'єднання

- Випуск води (ВИХІДНИЙ ОТВІР)
- Водозабір з фільтром (ВХІДНИЙ ОТВІР)

6.5.2 Під'єднання до лінії водопостачання

Пристрій можна під'єднати до лінії постачання питної води, лише якщо шланг подачі має зворотний клапан, який відповідає чинним нормам. Переконайтеся, що шланг щонайменше 13 мм у діаметрі, що він міцний, а його довжина не перевищує 25 м.

6.5.3 Всмоктування води з відкритих ємностей

- 1) Пригвинтіть шланг подачі води з фільтром до ВХІДНОГО ОТВОРУ для води та опустіть шланг на дно ємності.
- 2) Випустіть повітря з пристрою:
 - a) відгвинтіть трубку;
 - b) увімкніть пристрій і тримайте пістолет-розпилювач відкритим, доки у воді, яка вливається, не зникнуть бульбашки;
 - c) вимкніть пристрій і пригвинтіть трубку на місце.
- Примітка. Максимальна висота всмоктування становить 0,5 м. Перед використанням шланг для всмоктування слід наповнити.



7 НАЛАШТУВАННЯ (МАЛ. 3)/СТОР. 5

- 7.1 Налаштування насадки-розпилювача** (у моделях з відповідною комплектацією)
Потік води можна регулювати налаштуванням насадки (E).
- 7.2 Регулювання засобу для миття**
Щоб налаштувати потрібний тиск подачі засобу для миття, встановіть насадку (E) (якщо вона є) в положення «**»** або встановіть комплект засобу для миття (C13) (за наявності), як показано на малюнку. Кількість засобу для миття, який подається, можна налаштувати за допомогою регулятора (F).
- 7.3 Налаштування робочого тиску** (у моделях з відповідною комплектацією)
За допомогою регулятора (G) можна налаштувати робочий тиск. Тиск показується на манометрі (якщо встановлено).

8 ІНФОРМАЦІЯ ПРО ВИКОРИСТАННЯ ПРИСТРОЮ (МАЛ. 4)/СТОР. 5**8.1 Елементи керування**

- Стартер (H).

Встановіть вимикач стартера в положення (УВІМК./I), щоб:

- а) запустити мотор (у моделях без тиристорного пристрою м'якого пуску (ТПМП));
- б) підготувати двигун до запуску (у моделях з тиристорним пристроєм м'якого пуску (ТПМП)).

Якщо на стартері є сигнальна лампочка, вона має засвітитися.

Встановіть вимикач стартера в положення (ВИМК./O), щоб зупинити пристрій.

Якщо на стартері є сигнальна лампочка, вона має згаснути.

- Контрольний важіль струменя води (I).

**Попередження — небезпечно!****Під час роботи пристрій має бути встановлений на твердій стійкій поверхні, як показано на мал. 4.****8.2 Запуск** (див. мал. 4)

- 1) Повністю відкриті кран подачі води.
- 2) Розблокуйте запобіжний стопор (D).
- 3) Натисніть на пусковий важіль пістолета-розпилювача й утримуйте його протягом кількох секунд, а потім запустіть пристрій за допомогою стартера (УВІМК./I).

**Попередження — небезпечно!****Перед увімкненням пристрою переконайтеся, що він отримує воду належним чином; використання пристрою без води призведе до його пошкодження. Не закривайте вентиляційних решіток, коли пристрій працює.****Моделі з ТПМП.** У моделях із ТПМП та автоматичною системою зупинки подачі потоку:

- якщо **відпустити** пусковий важіль пістолета-розпилювача, динамічний тиск автоматично вимкне мотор;
- якщо **натиснути** на пусковий важіль пістолета-розпилювача, автоматичне зниження тиску запустить мотор, а тиск відновиться після дуже короткої затримки;
- щоб ТПМП працював належним чином, між усіма **відпусканнями та натисканнями** пускового важеля пістолета-розпилювача має минати **щонайменше 4-5 секунд.**

Щоб запобігти пошкодженню пристрою, не дозволяйте йому працювати без води та перевіряйте, щоб вода надходила до нього належним чином.**Для моделей без ТПМП: щоб запобігти пошкодженню пристрою через підвищення температури води, не перекривайте струменя води на понад 5 хвилин, коли пристрій працює.****8.3 Вимкнення**

- 1) Встановіть вимикач стартера в положення (ВИМК./O).
- 2) Натисніть на пусковий важіль пістолета-розпилювача та скиньте залишковий тиск у трубах.
- 3) Заблокуйте запобіжний стопор (D).

8.4 Перезапуск

- 1) Розблокуйте запобіжний стопор (D).
- 2) Натисніть на пусковий важіль пістолета-розпилювача та випустіть залишкове повітря з труб.
- 3) Встановіть вимикач стартера в положення (УВІМК./I).

8.5 Зберігання

- 1) Закрийте кран подачі води.
- 2) Скиньте залишковий тиск з пістолета-розпилювача, поки з пристрою не виллється вся вода.

- 3) Вимкніть пристрій (ВИМК./O).
- 4) Витягніть штепсельну вилку з розетки.
- 5) Після закінчення роботи злийте залишки з баку засобу для миття та промийте його. Для миття баку користуйтеся чистою водою без засобу для миття.
- 6) Заблокуйте запобіжний стопор пістолета-розпилювача (D).

8.6 Довладна та використання засобу для миття засіб для миття має надходити за допомогою приладдя та процедур, описаних у пункті 7.3.

Використання шланга високого тиску, довшого за той, який виходить до комплекту постачання пристрою, чи додаткового подовжувача шланга може знизити чи повністю зупинити всмоктування засобу для миття. Наповніть бак (B6) засобом для миття з високим рівнем біологічного розкладання.

8.7 Рекомендована процедура чищення

Розчиняйте бруд, застосовуючи розбавлений водою засіб для миття до сухої поверхні.

Обробляючи вертикальні поверхні, просувайтеся знизу вгору. Запишіть засіб для миття на 1-2 хвилини, проте не давайте поверхні висохнути. Просуваючись знизу, застосуйте струмінь високого тиску з відстані щонайменше 30 см. Не застосовуйте воду для ополіскування до немитих поверхонь.

В окремих випадках для видалення бруду необхідно використовувати щітки.

Високий тиск не завжди забезпечує задовільні результати чищення, оскільки може пошкодити окремі поверхні. Для обробки делікатних або пофарбованих поверхонь, а також компонентів під тиском (наприклад, шин, вентилів накачування тощо) не слід користуватися найтоншим налаштуванням регульованої насадки для струменя води або повністю насадкою. Ефективність чищення залежить як від тиску, так і від кількості використаної води.

9 ОБСЛУГОВУВАННЯ (МАЛ. 5)/СТОР. 6

Операції з обслуговування, не описані в цьому розділі, має виконувати авторизований центр зі збуту та сервісу.

**Попередження — небезпечно!****Перед виконанням будь-яких робіт на пристрої завжди вимайте його штепсельну вилку з мережі електроживлення.****9.1 Чищення насадки**

- 1) Від'єднайте трубку від насадки.
- 2) Видаліть залишкове забруднення з отвору насадки за допомогою спеціального інструмента (C1).

9.2 Чищення фільтра

Перед кожним використанням виконуйте огляд всмоктувального фільтра (L) і фільтра засобу для миття (якщо встановлено) та очищайте їх відповідно до інструкцій, у разі необхідності.

9.3 Розблокування мотора (у моделях з відповідною комплектацією)

Тривалі зупинки можуть бути викликані вапняним нальотом, який перешкоджає нормальній роботі мотора. Щоб розблокувати двигун, поверніть півдний вал за допомогою інструмента (M).

9.4 Довладна мастила (у моделях з відповідною комплектацією)
Доплийте мастило через вхідний отвір, щоб відновити потрібний рівень. Див. характеристики мастила в таблиці «Технічні характеристики». Мастило треба міняти через кожні 500 годин роботи.**9.5 Зберігання після завершення сезону**

Перед зберіганням впродовж зимового періоду запустіть пристрій з некорозійним та нетоксичним антифризом.

Зберігайте пристрій у сухому місці, захищеному від морозу.

10 ЗБЕРІГАННЯ ТА ТРАНСПОРТУВАННЯ (МАЛ. 5)/СТОР. 6

Зберігайте приладдя, як показано на мал. 5. Транспортуйте пристрій, як показано на мал. 5.

12 ЯК ЗАПОБІГТИ ПОШКОДЖЕННЮ ПОВЕРХОНЬ**ПОПЕРЕДЖЕННЯ**

- 12.1 Використання пристрою для миття шин може призвести до їх пошкодження та бути небезпечним.
- 12.2 Не спрямовуйте струмінь води під високим тиском безпосередньо на шину.
- 12.3 Завжди користуйтеся найнижчим налаштуванням тиску під час чищення коліс і шин.
- 12.4 Не користуйтеся турбонаконечником для миття будь-яких частин транспортного засобу.
- 12.5 Для отримання додаткової інформації див. розділ 8.7 «Рекомендована процедура чищення».

**Декларація відповідності директивам ЄС**

Ми, Anнови Reverberi S.p.A, заявляємо, що зазначений (-и) нижче пристрій (-ои) De Walt:

Призначення пристрою:	Мийка високого тиску			
Номер моделі	DXPW 004 E	DXPW 005 E	DXPW 006 E	DXPW 007 E
Номінальна потужність	3 кВт	5 кВт	5 кВт	7,4 кВт

відповідає (-ють) таким європейським директивам:

2006/42/EC, 2014/35/EU, 2011/65/EU, 2015/863/EU, 2012/19/EU, 2014/30/EU та 2000/14/EC

та виготовлений (-и) відповідно до таких стандартів або стандартної документації:

EN 60335-1; EN 60335-2-79; EN 55014-1; EN 55014-2; EN 61000-3-2; EN 61000-3-3; EN 61000-3-11; EN 60704-1; EN 62233; IEC 63000

Прізвище та адреса особи, відповідальної за випуск технічної документації: Стефано Ревербері, виконавчий директор AR
Via ML King, 3 - 41122 Modena, Italy (Італія)

Процедуру оцінки відповідності, якої вимагає директива 2000/14/EC, проведено згідно з додатком V.

Номер моделі	DXPW 004 E	DXPW 005 E	DXPW 006 E	DXPW 007 E
Вимірний рівень акустичної потужності:	93,5 дБ(А)	93,9 дБ(А)	93,9 дБ(А)	94,4 дБ(А)
Гарантований рівень акустичної потужності:	96 дБ(А)	96 дБ(А)	96 дБ(А)	97 дБ(А)

Дата: 04.03.2022 р.

MODENA (I)

Стефано Ревербері

Виконавчий директор

Гарантія

Юридична сила даної гарантії діє згідно з відповідними законодавчими нормами країни, де було продано виріб (окрім випадків, визначених виробником).

Гарантія розповсюджується на матеріали, конструкцію та дефекти відповідності впродовж свого терміну дії, під час якого виробник зобов'язаний замінити дефектні частини та відремонтувати виріб, якщо він не занадто спрацьований, або замінити його.

Гарантія не розповсюджується на компоненти, які підлягають звичайному спрацюванню (клапан, поршень, прокладка для води, прокладка для масла, пружини, ущільнювальні кільця та приладдя, зокрема шланг, пістолет-розпилювач, щітки, колеса тощо).

Гарантія не розповсюджується на дефекти, що мають такі причини:

- неправильне використання, використання не за призначенням, недбалість;
- прокат або професійне використання, якщо виріб був проданий для побутового використання;
- недотримання інструкцій з обслуговування, які містяться в цьому посібнику;
- ремонт робітниками чи центрами, які не мають відповідного дозволу;
- використання неоригінальних частин або приладдя;
- пошкодження, спричинене транспортуванням, забрудненням або сторонніми предметами, нещасними випадками;
- проблеми зі зберіганням або складуванням.

Щоб скористатися гарантією, необхідно надати доказ покупки.

Звертайтеся за допомогою, Сторінки: 285.

Технічні характеристики

Технічні характеристики	Один.	DXPW 004 E	DXPW 005 E	DXPW 006 E	DXPW 007 E
Швидкість потоку	л/хв	10	13,5	15	14
Максимальна швидкість потоку	л/хв	-	-	-	-
Тиск	МПа	12	18	15	21
Максимальний тиск	МПа	15	20	17	23
Потужність	кВт	3	5	5	7,4
На вході	°С	60	60	60	60
Максимальний тиск на вході	МПа	1	1	1	1
Сила відштовхування пістолета-розпилювача при максимальному тиску	Н	24,30	40,10	40,70	44,90
тип мастила для насоса	кг	-	-	-	-
Клас захисту	-	I/⊕	I/⊕	I/⊕	I/⊕
Ізоляція мотора	Клас	F	F	F	F
Захист мотора	-	IPX5	IPX5	IPX5	IPX5
Напруга	В/Гц	230/50 1~	400/50 3~	400/50 3~	400/50 3~
Максимально припустимий повний опір електричної системи	Ом	-	-	-	-
Рівень звукового тиску L_{pa} (EN 60704-1) (K = 2,5 дБ(A))	дБ(A)	82,1	82,5	82,5	83
Рівень акустичної потужності L_{WA} (EN 60704-1) (K = 2,5 дБ(A))	дБ(A)	96	96	96	97
Вібрація пристрою (K = 1,5 м/с ²):	м/с ²	<2,5	<2,5	<2,5	<2,5
Вага	кг	38	40	40	64

Можливі технічні модифікації!

البيانات الفنية

DXPW 007 E	DXPW 006 E	DXPW 005 E	DXPW 004 E	وحدة القياس	البيانات الفنية
14	15	13.5	10	لتر في الدقيقة	معدل التدفق
-	-	-	-	لتر في الدقيقة	القدرة القصوى
21	15	18	12	ميغاباسكال	الضغط
23	17	20	15	ميغاباسكال	الضغط الأقصى
7,4	5	5	3	كيلو واط	الطاقة
60	60	60	60	°درجة مئوية	الحد الأقصى لحرارة الإمداد
1	1	1	1	ميغاباسكال	الحد الأقصى ضغط الإمداد
44.90	40.70	40.10	24.30	N	قوة ارتداد المسدس الرشاش عند الضغط القصوى
-	-	-	-	كغ	نوع زيت المضخة
				-	فئة الحماية
F الفئة	F الفئة	F الفئة	F الفئة	-	عزل المحرك
IPX5	IPX5	IPX5	IPX5	-	حماية المحرك
1~ 50/400	1~ 50/400	1~ 50/400	1~ 50/230	فولت / هرتز	التوتر
-	-	-	-	الأوم (Ω)	المعاوقة الكهربائية القصوى المسموح بها
83	82.5	82.5	82.1	ديسيبل أ dBA"	منسوب ضغط الصوت L_{WA} (EN 60704-1) (2.5 = K) ديسيبل أ dB(A)"
97	96	96	96	ديسيبل أ dBA"	منسوب قدرة الصوت المُقاس L_{WA} (EN 60704-1) (2.5 = K) ديسيبل أ dB(A)"
أقل من 2.5	أقل من 2.5	أقل من 2.5	أقل من 2.5	م/ثا ²	اهتزازات الجهاز (K = 1م/ثا ²):
64	40	40	38	كغ	الوزن

مع الاحتفاظ بحق إدراج تعديلات تقنية!

ينبغي خزن الإكسسوارات على النحو المنصوص عليه في الشكل 5.
ينبغي نقل الجهاز على النحو المنصوص عليه في الشكل 5.

الأعطال	الأسباب المحتملة	الحلول
لا يبلغ ضغط المضخة القيمة المحددة	قوهة متآكلة	استبدل القوهة
	فلتر المياه متسخ	نظافة الفلتر (L) (الشكل 5)
	إمدادات المياه غير كافية	افتح صنبور المياه عن آخره
	شفط الهواء	تحقق من موصلات الربط
	هواء بالمضخة	إيقاف الجهاز والضغط على الصمدس الرشاش إلى حين خروج المياه بشكل مستمر. أعد تشغيل الجهاز.
	القوهة غير مضبوطة على الوجه السليم	حرك القوهة (E) نحو وضع (+) (الشكل 3)
	دخول الصمام الحراري حيّز العمل	الانتظار إلى غاية استعادة المياه درجة الحرارة المناسبة
	ارتفاع الشفط من حاوية مفتوحة أكبر من 0.5 متر.	ينبغي تخفيض ارتفاع الشفط
	شفط المياه من خزان خارجي	ربط الجهاز بشبكة المياه
	تغييرات فجائية في قيمة الضغط بالمضخة	حرارة المياه الواردة جد مرتفعة
انسداد القوهة		نظافة القوهة (الشكل 5)
فلتر الشفط (L) متسخ		نظافة الفلتر (L) (الشكل 5)
جهد الشبكة غير كاف		تحقق من مطابقة جهد التيار إلى ما هو وارد بلوحة المواصفات (الشكل 2)
فقدان التوتر الناتج عن التمديد		تحقق من مواصفات وصلة التمديد
لا يشتغل المحرك على الرغم من صدور "هدير"	توقف الجهاز لفترات طويلة	يرجى استشارة فني مركز خدمة معتمد
	خلل بوحدة TSS	يرجى استشارة فني مركز خدمة معتمد
	غياب توتر كهربائي	تحقق من وجود التيار الكهربائي بالشبكة وتأكّد من إدراج القابس بشكل صحيح (*)
	خلل بوحدة TSS	يرجى استشارة فني مركز خدمة معتمد
	توقف الجهاز لمدة طويلة	حرر المحرك من التّثب الخلفي مسّرعينا بالأداة (M) (للموديلات المجهزة به) (الشكل 5)
المحرك الكهربائي لا يشتغل	تآكل أختام الربط	استبدال الأختام بأحد مراكز الخدمة المعتمد
	تدخل صمام الأمان للتفريغ الحر	يرجى استشارة فني مركز خدمة معتمد
	حرارة المياه جد مرتفعة	خفض درجة الحرارة (انظر البيانات الفنية)
	تآكل أختام الربط	يرجى استشارة فني مركز خدمة معتمد
	فقط للموديلات المجهزة بوحدة TSS: يشتغل الجهاز على الرغم من أن الصمدس الرشاش مقلل	خلل في نظام الضغط العالي أو دائرة المضخة
تسرب المياه	فقط للموديلات المجهزة بوحدة TSS: عدم خروج المياه على الرغم من الضغط على ذراع الصمدس الرشاش (و على الرغم من تكيّب أنبوب الإمداد)	انسداد القوهة
	كثافة المنظف عالية	حرك القوهة (E) نحو وضع " " (الشكل 3)
	استعمال منظف عالي الضغط	إضافة مياه لتخفيفه
	استعمال خرطوم تمديد عالي الضغط	أعد استعمال الخرطوم الأصلي
	التواء و انسداد دائرة المنظف	اشطفه بماء نظيف و اعمل على إزالة أي التواءات. إذا استمر المشكل على حاله يرجى استشارة فني مركز خدمة معتمد.
خروج المياه من الصمام الحراري	حرارة المياه داخل القوهة تجاوزت القيمة القصوى المشار إليها في لوحة البيانات.	لا توقف نفث المياه، أثناء تشغيل الجهاز، لمدة تزيد عن 5 دقائق.

(*) إذا توقف المحرك أثناء العمل و لم يعاود الأشتغال، يرجى الانتظار لمدة 2-3 دقائق قبل تكرار تشغيله (تدخل الحماية الحرارية).
إذا تكررت المشكلة لأكثر من مرة، يرجى الاتصال بمركز الخدمة الفنية.

الرقم التسلسلي الموديل



- 4.8 أ) فك الرشاش.
ب) شغل الجهاز وافتح المسدس الرشاش إلى حين خروج المياه خالية من فقاعات الهواء.
3) أوقف الجهاز وأعد تركيب الرشاش.
- 5.8 ملحوظة: الحد الأقصى لارتفاع الشفط 0.5 متر. يستحسن ملء خرطوم الشفط قبل الاستخدام.
- 7 الإمدادات (الشكل 3)/الصفحة 6**
- 1.7 إعداد الفوهة (حيثما ورد)
قم بضبط الفوهة (E) للتحكم في تدفق الماء.
- 2.7 إعداد تدفق المنظفات
لضبط تدفق المنظفات وفق الضغط الصحيح، ضع الفوهة (E) (إذا كانت مرفقة) على الوضع "■" أو قم بتركيب طقم التنظيف (C13) (حيثما ورد) كما هو موضح في الشكل.
- 3.7 إعداد ضغط العمل (حيثما ورد)
قم بضبط المُنظَر (G) لتغيير ضغط التشغيل. يشار إلى قيمة الضغط بواسطة مقياس الضغط - المانومتر (إذا كان موجوداً).
- 8 معلومات عن الاستعمال (الشكل 4)/الصفحة 6**
- 1.8 الأوامر
- مفتاح الإشعال (H).
حرك وحدة بدء التشغيل نحو الوضع (ON/I) لـ:
أ) تشغيل المحرك (بالموديلات الغير متوفرة على جهاز TSS)؛
ب) لتهيء المحرك في وضع الاستعداد (بالموديلات المتوفرة على جهاز TSS)؛
إذا كان الموديل يتوفر على مؤشر ضوئي، فينبغي على هذا الأخير أن يضيء.
حرك وحدة بدء التشغيل نحو الوضع (ON/I) لتوقيف تشغيل الجهاز.
إذا كان الموديل يتوفر على مؤشر ضوئي، فينبغي على هذا الأخير أن يتوقف عن الإضاءة.
- ذراع التحكم في تدفق المياه النفاثة (I).
- تحذير - خطر!**
يجب تشغيل الجهاز بعد وضعه على سطح آمن ومستقر، كما هو مبين في الشكل 4.
- 2.8 بدء التشغيل (انظر الشكل 4)
1) افتح صنوبر المياه عن آخره.
2) حرر قفل الأمان (D).
3) امسك بالمسدس الرشاش بلضعة ثواني وابدأ بتشغيل الجهاز بواسطة جهاز بدء التشغيل (ON/I).
- تحذير - خطر!**
قبل تشغيل الجهاز، تأكد من تزويده بالمياه بشكل صحيح، فاستخدام الجهاز على الجاف يلحق به أضراراً بالغة؛ كما لا يجب تغطية فتحات التهوية خلال التشغيل.
- 1.9 الموديلات TSS - موديلات TSS، مجهزة بقاطع تلقائي لإمدادات المياه:
- عند إغلاق المسدس الرشاش، يقوم الضغط الديناميكي بتوقيف المحرك الكهربائي تلقائياً؛
- عند فتح المسدس الرشاش، يعمل انخفاض الضغط على تشغيل المحرك تلقائياً ويتم استعادة الضغط بعد تأخير بسيط؛
- لضمان التشغيل السليم لـ TSS، يجب أن لا تتم عمليات إغلاق وفتح المسدس الرشاش في غضون فترة زمنية أقل من 4 إلى 5 ثواني.
- 2.9 لتفادي تلف الجهاز ينبغي تجنب تشغيله على الجاف وتحقق دائماً من توفر الجهاز على إمدادات مياه كافية.
- 3.9 أما بالنسبة للموديلات الغير مجهزة بـ TSS، فلا ينبغي التوقف عن نفث المياه لمدة تزيد عن 5 دقائق أثناء تشغيل الجهاز، لتفادي تلف الجهاز بسبب ارتفاع حرارة المياه.
- 3.8 توقيف الجهاز
1) حرك وحدة بدء التشغيل نحو الوضع (OFF/0).
2) افتح المسدس الرشاش وأفرغ الضغط المتبقي داخل الأنابيب.
3) ضع قفل الأمان (D).
- 4.8 إعادة التشغيل
1) حرر قفل الأمان (D).
2) افتح المسدس الرشاش وأفرغ الهواء من داخل الأنابيب.
3) حرك وحدة بدء التشغيل نحو الوضع (ON/I).
- 5.8 إيقاف التشغيل
1) غلق صنوبر المياه.
2) إفراغ الضغط المتبقي من المسدس الرشاش إلى حين تصريف المياه عن آخرها من الفوهة.
3) إيقاف الجهاز (OFF/0).
4) نزع القابس من مأخذ التيار.
5) إفراغ و غسل خزان المنظفات عند نهاية العمل. لغسل الخزان استعملوا مياهًا نظيفة بدل المنظفات.
6) ضع قفل الأمان (D) بالمسدس الرشاش.
- إمداد واستخدام المنظفات**
يجب تزويد المنظفات بواسطة الملحقات وبالطريقة المنصوص عليها في الفقرة 3.7.
- استخدام خرطوم ضغط عال أطول من الخرطوم الأصلي للجهاز أو استخدام أنبوب تمديد إضافي يمكن أن يقلل أو يوقف بالكامل تدفق المنظف من الخزان (حيثما ورد).
ملء الخزان (B6) بالمنظفات القابلة للتحلل بسرعة عالية.
- نصائح لغسيل جيد**
إذابة الأوساخ عن طريق تطبيق المنظف على الأسطح الجافة. على الأسطح الراسية، إبدأ العمل من الأسفل نحو الأعلى. اتركه لمدة 1-2 دقائق ليقيم بمفعوله، لكن دون أن يجف السطح. إبدأ الغسل بالمياه النفاثة من على بعد مسافة لا تقل عن 30 سم، بدءاً من الأسفل. لا تترك مياه الشفط تنقطر على المساحات الغير مغسولة.
قد تتطلب إزالة بعض الأوساخ استعمال الحركة الميكانيكية لمكانس الغسيل. المياه النفاثة العالية الضغط ليست دائماً الحل الأفضل للغسيل، لما قد تلحقه من ضرر ببعض أنواع الأسطح. يستحسن تفادي استعمال التدفق النفاث الإبري للفوهة القابلة للتعديل و الفوهة الدوارة على الأجزاء الحساسة والمكونات تحت الضغط (مثل الإطارات، وصمامات النفخ..).
الغسيل الجيد يتناسب إطراداً مع الضغط و كمية المياه.
- 9 الصيانة (الشكل 5)/الصفحة 19**
جميع أنواع الصيانة الغير مدرجة بهذا الفصل يجب القيام بها لدى أحد نقاط البيع والخدمة المعتمدة.
- تحذير - خطر!**
يجب فصل الجهاز أولاً عن التيار الكهربائي قبل البدء في إجراء أية عمليات.
- تنظيف الفوهة**
1) فك الرشاش عن المسدس.
2) إزالة الأوساخ من ثقب الفوهة مستعيناً بالأداة (C1).
- تنظيف الفلتر**
تحقق أولاً من فلتر الشفط (L) و فلتر المنظفات (حيثما ورد) قبل كل استعمال، وإذا لزم الأمر، يمكن تنظيفها كما هو مبين.
- تحريز المحرك (حيثما ورد)**
في حالة عدم استعمال الجهاز لمدة طويلة، قد تسبب الرواسب الجيرية في إعاقه المحرك. ولتحريز المحرك يجب تدوير العمود المرفقي بواسطة الأداة (M).
- تعبئة الزيت (حيثما ورد)**
تعبئة الزيت من الثقب إلى غاية بلوغ المستوى الصحيح.
لمعرفة خصائص الزيت يرجى الإطلاع على الجدول "البيانات الفنية".
يوصى باستبدال الزيت بعد كل 500 ساعة من الاستعمال.
- التخزين**
قبل تخزين الجهاز عند حلول فصل الشتاء، يجب تشغيلها باستعمال سائل مذيب مقاوم للتجمد غير سام و غير مسبب للتآكل.
يجب تخزين الجهاز في مكان جاف و محمي من الصقيع.

4 معلومات عامة (الشكل 1) الصفحة 3

1.4 كيفية استعمال الكتيب

يعد هذا الدليل جزء لا يتجزء من الجهاز، ولهذا ننصح بالاعتناء به و الاحتفاظ به للرجوع إليه مستقبلاً. و تؤكد على ضرورة قراءته بدقة وانتباه قبل تركيب الجهاز واستخدامه. في حالة انتقال ملكية الجهاز، على البائع تسليم هذا الكتيب إلى المالك الجديد.

2.4 التسليم

يتم تسليم الآلة مفككة جزئياً داخل تغليف من ورق الكرتون.

يوفر الشكل 1 مكونات الجهاز المسلمة داخل التغليف.

1.2.4 الوثائق المرفقة بالجهاز

A1 كتيب الاستعمال و الصيانة

A2 تعليمات الأمان

A3 تصريح المطابقة

A4 شروط الضمان

3.4 التخلص من التعبئة والتغليف

مواد التعبئة والتغليف مصنوعة من مواد غير ملوثة للبيئة، و لهذا يجب إعادة تدويرها أو التخلص منها وفقاً للوائح التنظيمية السارية ببلدكم.

5 معلومات فنية (الشكل 1) الصفحة 3

1.5 الاستعمال المقصود

الآلة مصممة للاستخدام الفردي لتنظيف المركبات والسيارات والقوارب، والآلات، والمباني، وما إلى ذلك. إزالة الأوساخ العنيدة بواسطة مياه نظيفة و مواد التنظيف الكيميائية القابلة للتدخل.

يسمح بغسل محركات السيارات فقط إذا تم التخلص من المياه القدرة وفقاً للوائح المحلية المعمول بها.

- حرارة المياه الواردة: انظر البيانات الواردة بلوحة الجهاز.

- ضغط المياه الواردة: الحد الأدنى 0.1 ميغاباسكال - الحد الأقصى 1 ميغاباسكال.

- حرارة تشغيل البيئة المحيطة: أعلى من 0°درجة مئوية. يتوافق الجهاز مع متطلبات واشتراطات المواصفات القياسية للجنة الكهروتقنية الدولية (IEC) رقم IEC 60335-1 و IEC 60335-2-79.

2.5 مُشغل الجهاز

لتحديد المقصود من تشغيل الجهاز (مهني أو غير مهني) يرجى الإطلاع على البرز الممثل في الشكل 1.

3.5 الأجزاء الرئيسية

B2 الرشاش

B3 مسدس رشاش مجهز بقفل أمان

B4 كابل كهربائي بمقبس (حيثما ورد)

B5 خرطوم الضغط العالي

B6 خزان المنظفات (إذا كان مرفقاً)

B7 سدادة الزيت (إذا كانت مرفقة)

E الفوهة

F ضابط تدفق المُنظفات (حيثما ورد)

G ضابط الضغط (حيثما ورد)

H مفتاح الإشعال

L مرشح المياه (الفلتر)

1.3.5 الإكسسوارات (إذا كانت مرفقة بالجهاز - انظر الشكل 1)

C1 أداة تنظيف الفوهة C9 محول

C2 طقم الفوهة الدوارة C10 البراغي

C3 ذراع C11 دعامات

C4 مكبسة C12 زناد

C5 بكرة لف الخرطوم C13 طقم التنظيف

C6 طقم شطف المياه C14 عجلات

C7 طقم تنظيف الخرطوم C15 أنبوب شحوم التزيين

C8 طقم فرشاة C16 مقياس الضغط - المانومتر

C17 مُحول - مُهايئ الإكسسوارات

4.5

أجهزة السلامة

- مفتاح الإشعال (H).

يجوز مفتاح الإشعال دون استعمال الجهاز عن غير قصد.

⚠ تحذير - خطر!

لا يجب العبث أو تغيير ضبط صمام الأمان.

- صمام الأمان و/أو وحدة تخفيف الضغط.

صمام الأمان يعد أيضاً وحدة للتخفيف من الضغط. عند إغلاق

المسدس، يفتح الصمام و يتم إعادة تدوير المياه من خلال مدخل

المضخة، أو تفرغها إلى الأرض.

- صمام حراري (D1) (إذا كان مرفقاً)

عند تجاوز حرارة المياه درجة الحرارة المحددة من قبل الشركة المصنعة،

يقوم الصمام الحراري بتصريف المياه الساخنة و يشطف كمية من المياه

الباردة تعادل كمية المياه المصروفة لاستعادة درجة الحرارة المناسبة.

- قفل الأمان (D): يمنع رش المياه عن غير قصد.

- الحماية الحرارية: تتدخل الحماية الحرارية في حالة حدوث حمل زائد

لإيقاف الجهاز.

6

التركيب (الشكل 2)، الصفحة 4

1.6 تركيب

⚠ تحذير - خطر!

يجب إجراء جميع عمليات التركيب والتجميع بعد فصل الجهاز

عن التيار الكهربائي.

انظر الشكل 2 حول تسلسل مراحل التجميع.

تركيب سدادات التنفيس (إذا كانت مرفقة)

لتجنب تسرب الزيوت، يتم تسليم الجهاز مزود بفوهات صب الزيت مغلقة

بسدادات حمراء، والتي يجب استبدالها بسدادات التنفيس المرفقة بالجهاز.

تركيب الفوهة الدوارة

(للموديلات المجهزة بها)

يوفر طقم الفوهة الدوارة قدرة غسيل أكبر.

قد يتزامن استخدام الفوهة الدوارة مع انخفاض في ضغط المياه قدره

25% مقارنة مع الضغط الناتج عن الفوهة القابلة للتعديل. و مع ذلك يوفر

استعماله قدرة أكبر على الغسيل بفضل التأثير الدوار للمياه النفاثة.

التوصيلات الكهربائية

⚠ تحذير - خطر!

يرجى التحقق أولاً من مطابقة جهد التيار الكهربائي والتردد (V-Hz)

الفولت و (الهرتز) للبيانات الواردة بلوحة المواصفات الفنية (الشكل 2).

1.4.6 استخدام كابلات موصلات التمديد

استخدام كابلات و مقابس بدرجة حماية تستجيب لمتطلبات

المعايير "IPX5".

يجب أن يتناسب سمك كابل التمديد لطوله، إذ يزداد سمكه بزيادة

طوله. راجع الجدول 1.

5.6

التوصيل المائي

⚠ تحذير - خطر!

يجب شطف مياه نظيفة أو مُصفاة فقط. يجب أن يضمن

صبيب مياه الصنوبر ما يكفي لتغطية قدرة المضخة.

يجب وضع الآلة في أقرب مكان ممكن لامتدادات المياه.

1.5.6 فوهات التوصيل

● مخرج المياه (OUTLET)

■ مدخل المياه مزود بفلتر (INLET)

2.5.6 الربط بشبكة المياه العمومية

يمكن وصل الآلة مباشرة إلى الشبكة العمومية للمياه العذبة، فقط

إذا توفرت أنابيب المنبع على صمام عذر الرجوع مزود بجهاز

الإفراغ وفقاً للوائح التنظيمية السارية. تحقق من أن قطر الخرطوم

لا يقل عن 13 ملم، و أنه مُقوى وألاً يزيد طوله عن 25 متر.

3.5.6 شطف المياه من الحاويات المفتوحة

(1) ركب خرطوم الشطف المزود بفلتر إلى مدخل المياه (INLET)

وأغمره نحو قاع الحاوية.

(2) تنفيس الجهاز:

- 14.2.3 تنبيه.** يجب تفريغ الجهاز من الضغط المتبقي قبل فصل خرطوم الضغط العالي.
- 15.2.3 تنبيه.** تحقق قبل كل استعمال و بشكل دوري من الشد المحكم للبراغي و الحالة الجيدة لمختلف مكونات الجهاز، و تحقق بالعين المجردة من احتمال تعرض بعض الأجزاء للكسر أو التآكل.
- 16.2.3 تنبيه.** استعمل فقط منظفات متوافقة مع المواد المكونة لغشاء الخرطوم العالي الضغط / الكابل الكهربائي.
- 17.2.3 تنبيه.** إبعاد الأشخاص والحيوانات لمسافة لا تقل عن 15 متر.
- 18.2.3 تنبيه.** صُمم هذا الجهاز للاستخدام بعمية المنظفات الموردة أو الموصى بها من قبل الشركة المصنعة. استخدام منظفات أو مواد كيميائية مُعَايرة قد يكون له تأثير سلبي على سلامته.
- 19.2.3 تنبيه.** تجنب ملامسة المنظفات للجلد واحذر على الخصوص من ملامستها للعيون! في حالة ملامستها للعيون، يجب شطفها فوراً بماء نظيف ووافر واتصل حالاً بالطبيب!
- 20.2.3 تنبيه.** خرطوم الضغط العالي، وموصلات الربط والوصلات، كلها مهمة لسلامة الجهاز. استعمل فقط خرطوم الضغط العالي وموصلات الربط و وصلات موصى بها من قبل الشركة المصنعة.
- 21.2.3 تنبيه.** لضمان سلامة الجهاز، استخدم فقط قطع غيار أصلية من إنتاج الشركة المصنعة أو من ترخيصها.
- 22.2.3 تنبيه.** قد تشكل كابلات التمديدات الغير مناسبة خطراً على السلامة. في حالة استعمال كابل التمديد، فينبغي اختيار نوع مناسب للاستعمال في بيئة خارجية، والحرص على بقاء نقاط التوصيل جافة وغير معرضة للبلل، ومن بعده عن سطح الأرض. ويوصى في هذا الصدد باستعمال بكرة لف الكابل، للحفاظ على علو المقبس عند ارتفاع 60 مم على الأقل عن سطح الأرض.
- 23.2.3 تنبيه.** أوقف الجهاز وافصله عن التيار الكهربائي قبل البدء في إجراءات التركيب، أو الضبط، أو الصيانة، أو التخزين أو الشحن.
- 24.2.3 تنبيه.** إدراج طقم تنظيف الخرطوم حتى بلوغ العلامة الحمراء قبل تشغيل الجهاز.



- 15.1.3 تسييه.** تحقق من وجود لوحة المواصفات الفنية على الجهاز، و تسييه البائع في حالة غيابها. لا يجب استخدام الأجهزة الغير مصحوبة بلوحة مواصفات فنية مُلصقة على هيكلها، لكونها مجهولة المواصفات و تشكل بالتالي مصدرا محتملا للخطر.
- 16.1.3 تسييه.** لا يجب العبث أو تغيير معايرة صمام الضبط وأجهزة الأمان.
- 17.1.3 تسييه.** لا تغير القطر الأصلي للفوهة النفاثة.
- 18.1.3 تسييه.** لا يجب تحريك الجهاز بسحبه من الكابل الكهربائي.
- 19.1.3 تسييه.** تجنبوا مرور عربات فوق خرطوم الضغط العالي.
- 20.1.3 تسييه.** لا يجب تحريك الجهاز بسحبه من خرطوم الضغط العالي.
- 21.1.3 تسييه.** لا يجب توجيه المياه النفاثة العالية الضغط نحو إطارات السيارات أو صمامات الإطارات أو نحو أي مكونات أخرى تحت الضغط قد يشكل خطرا. تجنبوا استخدام الفوهة الدوارة و ابتعدوا لمسافة لا تقل عن 30 سم عن المياه النفاثة أثناء التنظيف.
- 22.1.3 تسييه.** يحظر استخدام أكسسوارات غير الأصلية، أو غير منصوص عليها لهذا النموذج. يمنع إجراء أي تعديلات على الجهاز، خلاف ذلك يلغي مصادقية تصريح المطابقة و يصبح باطلا و يخلي مسؤولية الصانع من التبعات القانونية المدنية والجنائية.

2.3 تحذيرات: ما ينبغي القيام به

- 1.2.3 تسييه.** يجب حماية جميع الموصلات الكهربائية من المياه النفاثة.
- 2.2.3 تسييه.** يجب إجراء التوصيلات الكهربائية على يد كهربائي مؤهل وفقا للوائح اللجنة الكهروتقنية الدولية (IEC) رقم 60364-1. يُصح بتركيب قاطع تفاضلي، لفصل امدادات الطاقة على الجهاز إذا تجاوز تيار التسريب الأرضي قيمة 30 مللي أمبير لمدة 30 مللي ثانية، أو تركيب جهاز التحكم في دائرة التأسيس.
- 3.2.3 تسييه.** قد يحدث الجهاز بعض الاضطراب بالشبكة الكهربائية أثناء مرحلة بدء التشغيل.
- 4.2.3 تسييه.** تشغيل الجهاز بواسطة قاطع تفاضلي يوفر حماية شخصية إضافية (30 مللي أمبير).
- 5.2.3 تسييه.** بالنسبة للموديلات الغير مزودة بمقيس، فيجب أن يتكلف بتركيبه فني متخصص.
- 6.2.3 تسييه.** استعملوا فقط وصلات تمديد كهربائية مرخصة و تتوفر على سمك موصل مناسب.
- 7.2.3 تسييه.** ينبغي دائما فصل الجهاز عن التيار بواسطة القاطع عند تركه دون مراقبة.



- 8.2.3 تسييه.** قد يسبب الضغط العالي في ثنائير القطع، و لهذا يجب ارتداء ملابس واقية (معدات الحماية الشخصية) لتوفير الحماية والحفاظ على سلامة العامل.
- 9.2.3 تسييه.** يجب فصل الجهاز عن التيار الكهربائي قبل البدء في إجراء أية عمليات.
- 10.2.3 تسييه.** بسبب قوة الارتداد المضادة، يجب الإمساك الجيد بالرشاش عند الضغط على الزناد.
- 11.2.3 تسييه.** يرجى مراعاة تعليمات الهيئة المحلية للمياه. وفقا للوائح اللجنة الكهروتقنية الدولية (IEC) رقم 60335-2-79، يمكن وصل الجهاز مباشرة إلى شبكة المياه العمومية العذبة، فقط إذا توفرت أنابيب المنبع على صمام عدم الرجوع مزود بجهاز للإفراغ من النوع BA مطابق لمواصفات EN 12729. يمكن طلب صمام عدم الرجوع المزود بجهاز للإفراغ من الشركة المصنعة.
- 12.2.3 تسييه.** المياه المتدفقة داخل صمامات عدم الرجوع غير صالحة للشرب.
- 13.2.3 تسييه.** صيانة و / أو إصلاح المكونات الكهربائية يجب أن تتم على يد فنيين مؤهلين.





الأيقونة E1 - تشير إلى أن القانون يلزم بعدم التخلص من الآلة ضمن النفايات المنزلية، و إمكانية إعادة تسليمها إلى الموزع عند اقتناء آلة جديدة؛ لا يجب إعادة استعمال المكونات الكهربائية والإلكترونية للآلة بما لا يناسب، بسبب احتوائها على مواد ضارة بالصحة.

استخدام واقبات الأذن. 

استخدام قناع واقٍ. 

استخدام معدات وقاية الجهاز التنفسي. 

استخدام قفازات واقية. 

استخدام أحذية السلامة. 

استخدام ملابس واقية. 

3 تعليمات الأمان/مخاطر كامنة

1.3 تحذيرات: ما لا ينبغي القيام به

- 1.1.3 تبييه.** لا تسمح للأطفال باستعمال الجهاز، بل ينبغي مراقبتهم والحؤول دون اللعب به.
- 2.1.3 تبييه.** يمكن للمياه النفاثة أن تتحول إلى مصدر خطر إذا ما استخدمت بشكل غير صحيح.
- 3.1.3 تبييه.** لا تستعمل الآلة بمعية مواد قابلة للاشتعال، أو مواد سامة أو مواد لا تلائم الاستعمال السليم للآلة نفسها. يحظر استعمال الآلة بأماكن قابلة للاشتعال أو الانفجار.
- 4.1.3 تبييه.** خطر الانفجار. لا تستعمل سوائل قابلة للاشتعال.
- 5.1.3 تبييه.** لا توجه المياه النفاثة نحو الأشخاص أو الحيوانات.
- 6.1.3 تبييه.** لا توجه المياه النفاثة نحو الجهاز نفسه، أو نحو مكوناتها الكهربائية أو أي أجهزة كهربائية أخرى.
- 7.1.3 تبييه.** لا تستعمل الجهاز داخل نطاق يتواجد به أشخاص لا يرتدون ملابس واقية.
- 8.1.3 تبييه.** لا توجه المياه النفاثة نحو شخصك أو نحو آخرين لتنظيف الملابس أو الأحذية.
- 9.1.3 تبييه.** لا تستعمل الجهاز في الخارج تحت الأمطار.
- 10.1.3 تبييه:** لا يجب السماح للأطفال و الأشخاص الغير مؤهلين أو الذين لم يطلعوا على كتيب التعليمات بتشغيل الجهاز.
- 11.1.3 تبييه.** لا يجب ملامسة مأخذ التيار و / أو المقبس بأيدي مبللة.
- 12.1.3 تبييه:** لا تستعمل الجهاز في حالة تعرض كبلات الكهرباء للتلف. في حالة تلف الكابل، فيجب استبداله من قبل الشركة المصنعة، أو مركز خدمة معتمد أو من قبل أشخاص مؤهلين لتجنب المخاطر المحدقة بالسلامة.
- 13.1.3 تبييه.** لا تستعمل الجهاز في حالة تعرض الكابل للتلف أو في حالة تعرض مكونات مهمة للضرر، كمعدات السلامة أو الخرطوم العالية الضغط أو المسدس الرشاش.
- 14.1.3 تبييه.** لا يجب قفل زناد الرشاش في وضع التشغيل.



1 تعليمات الأمان

1.1 الجهاز الذي بوزنكم هو نتاج التكنولوجيا العالية المطورة على يد واحدة من الشركات الأوروبية الرائدة في مجال غسالات الضغط العالي. ولحصول على أفضل النتائج، أعدنا هذا الكتيب ونرجو منكم قراءته بعناية والتقيد بمحتوياته عند كل استخدام. عند توصيل الآلة، واستخدامها أو صيانتها نرجو منكم اتخاذ جميع الاحتياطات الممكنة لضمان سلامتكم وسلامة الآخرين المتواجدين بالقرب منكم. نحثكم على قراءة التعليمات بعناية والامتثال لمتطلبات الأمان، فتجاهلها قد يشكل خطراً على صحة وسلامة الأشخاص أو التسبب في أضرار مادية.

2 رموز المعلومات

1.2 يرجى احترام جميع العلامات المُشار إليها في اللوحات والرموز الملصقة على الجهاز وكذا جميع التعليمات الواردة في هذا الكتيب. الرموز الملصقة على الجهاز والواردة في الكتيب مناسبة للجهاز الذي تم اقتناؤه فقط. تأكد دائماً من وجود الرموز واللوحات ملصقة على الجهاز ومن سلامتها ووضوحها؛ خلاف ذلك يرجى استبدالها بأخرى في نفس المكان الأصلي.

⚠ تحذير- خطر

📖 يرجى قراءة هذه التعليمات بدقة واتبناه قبل الاستعمال.

📖 الأيقونة E2 (إذا كان الرمز موجود في الشكل 1) - فهذا يعني أن الجهاز مخصص للاستخدام المهني، أي من قبل أشخاص تتوفر لديهم الخبرة والمعرفة الفنية والجوانب التنظيمية والتشريعية والقدرة على أداء المهام الضرورية لاستخدام وصيانة الجهاز. لا يجوز استخدام الجهاز من قبل أشخاص (بما في ذلك الأطفال) من ذوي القدرات البدنية، أو الحسية أو الذهنية المحدودة، أو الذين تعوزهم الخبرة أو المعرفة.

🔌 مكونات متحركة لا تلمس.

0 موضع قاطع التيار مُطفأ

1 موضع قاطع التيار مُشعل

🔊 مستوى قوة الصوت مضمون

🚫 ممنوع، تشير إلى أن القوانين الوطنية قد تمنع ربط الجهاز بشبكة توزيع مياه الشرب.

⚠ علامة تحذير، تشير إلى عدم توجيه المياه النفاثة نحو الأشخاص، أو الحيوانات، أو المعدات الكهربائية أو نحو المنتج نفسه.

⚡ الجهاز مُصنف في فئة العزل الأولى ا. وهذا يعني أن الجهاز مزود بعزل مُقوى أو عزل مزدوج (فقط إذا كان الرمز موجوداً على الجهاز).

CE يُطابق هذا الجهاز التوجيهات الأوروبية السارية.





Services

Belgique et Luxembourg België en Luxemburg	DEWALT - Belgium BVBA Egide Walschaertsstraat 16 2800 Mechelen	Tel: NL 32 15 47 37 63 Tel: FR 32 15 47 37 64 Fax: 32 15 47 37 99	www.dewalt.be
Czech Republic	BAND SERVIS CZ S.R.O. K PASEKAM 4440 760 01 ZLÍN, CZECH REPUBLIC	Tel.: +420 577 008 550 Fax.: +420 577 008 559	www.dewalt.cz www.bandservis.cz
Danmark	DEWALT Roskildevej 22 2620 Albertslund		www.dewalt.dk kundeservice.dk@sbdinc.com
Deutschland	DEWALT Richard Klinger Str. 11 65510 Idstein	Tel: 06126-21-1 Fax: 06126-21-2770	www.dewalt.de infodwge@sbdinc.com
Ελλάς	DEWALT (Ελλάς) A.E. ΕΔΡΑ-ΓΡΑΦΕΙΑ : Στράβωνος 7 & Λ. Βουλιαγμένης, Γλυφάδα 166 74, Αθήνα SERVICE : Ημερος Τόπος 2 (Χάνι Αδάμ) – 193 00 Ασπρόπυργος	Τηλ: 00302108981616 Φαξ: 00302108983570	www.dewalt.gr Greece.Service@sbdinc.com
España	DEWALT Ibérica, S.C.A. Parc de Negocios "Mas Blau" Edificio Muntadas, c/ Bergadá, 1, Of. A6 08820 El Prat de Llobregat (Barcelona)	Tel: 934 797 400 Fax: 934 797 419	www.dewalt.es respuesta.postventa@sbdinc.com
Estonia	AS TALLMAC MUSTAME TEE 44, EE-10621 TALLINN	T: +372 6562999 F: +372 6562855	www.tallmac.ee/est
France	DEWALT 5, allée des Hêtres CS60105, 69579 Limonest Cedex	Tel: 04 72 20 39 20 Fax: 04 72 20 39 00	www.dewalt.fr scuf@sbinc.com
Schweiz Suisse Svizzera	DEWALT In der Luberzen 42 8902 Urdorf	Tel: 044 - 755 60 70 Fax: 044 - 730 70 67	www.dewalt.ch service@rofoag.ch
Hungary	ROTEL KFT. 1163 BUDAPEST, THÖKÖLY ÚT 17.	Tel +36 1 404-0014 Fax+36 1 403-2260	service@rotelkft.hu

Ireland	DEWALT 210 Bath Road; Slough, Berks SL1 3YD, UK	Tel: +44 (0)1753 511234 Fax: +44 (0)1753 512365	www.dewalt.ie
Italia	DEWALT via Energypark 20871 Vimercate (MB), IT	Tel: 800-014353 39 039 9590200 Fax: 39 039 9590313	www.dewalt.it
Latvia	LIC GOTUS SIA ULBROKAS STR. LT - 1021 RĪGA	T: +371 67556949 F: +371 67555140	www.licgotus.lv
Lithuania	UAB ELREMTA OU NERIES KR. 16E LT - 48402 KAUNAS	T+: 370-685-29035 F: +370-37-406540	info@elremta.lt
Nederlands	DEWALT Netherlands BV Postbus 83	Tel: 31 164 283 063 Fax: 31 164 283 200	www.dewalt.nl
Norge	DEWALT Postboks 4613, Nydalen 0405 Oslo		www.dewalt.no kundeservice.no@sbdinc.com
Österreich	DEWALT Werkzeug Vertriebsges m.b.H Oberlaaerstrasse 248, A-1230 Wien	Tel: 01 - 66116 - 0 Fax: 01 - 66116 - 614	www.dewalt.at service.austria@sbdinc.com
Poland	ERPATECH UL. BAKALIOWA 26 05-080 MOŚCISKA	Tel.: +48 22 431 05 00 Fax.: +48 22 468 87 35	www.dewalt.pl www.erpatech.pl/serwis serwis@erpatech.pl
Portugal	DEWALT Limited, SARL Centro de Escritórios de Sintra Avenida Almirante Gago Coutinho, 132/134, Edifício 14 2710-418 Sintra	Tel: 214 66 75 00 Fax: 214 66 75 80	www.dewalt.pt resposta.posvenda@sbdinc.com
Romania Bulgaria	STANLEY BLACK & DECKER PHOENICIA BUSINESS CENTER STRADA TURTURELELOR, NR 11A, ETAJ 6, MODUL 15, SECTOR 3 BUCURESTI	T: +4021.320.61.04/05 F: +4037.225.36.84	www.dewalt.ro

Slovakia	BAND SERVIS S.R.O. PAULINSKA 22 917 01 TRNAVA, SLOVAKIA	Tel.: +421 335 511 063 Fax.: +421 335 512 624	www.bandservis.sk
Slovenia Croatia Bosnia- Herzegovina Serbia	G-M&M D.O.O. BRVACE 11 1290 GROSUPLJE SLOVENIJA	T: +386 01 78 66 500 F: +386 01 78 63 023	www.g-mm.si gmm@g-mm.si
Suomi	DEWALT PL 47 00521 Helsinki		www.dewalt.fi asiakaspalvelu.fi@sbdinc. com
Sverige	DEWALT Box 94 431 22 Mölndal		www.dewalt.se kundservice.se@sbdinc.com
Türkiye	KALE Hırdavat ve Makina A.Ş. Defterdar Mah. Savaklar Cad. No:15 Edirnekapı / Eyüp / İSTANBUL 34050 TÜRKİYE	Tel: 0212 533 52 55 Faks: 0212 533 10 05	www.dewalt.com.tr
United Kingdom	DEWALT 210 Bath Road; Slough, Berks SL1 3YD	Tel: 01753-567055 Fax: 01753-572112	www.dewalt.co.uk emeaservice@sbdinc.com

















DEWALT®

DEWALT® and GUARANTEED TOUGH.
are trade marks of Stanley Black & Decker, Inc. used under licence.
Manufactured and distributed by: Annovi Reverberi S.p.A.
Via M.L.King 3 - 41122 Modena - Italy